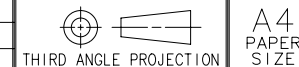
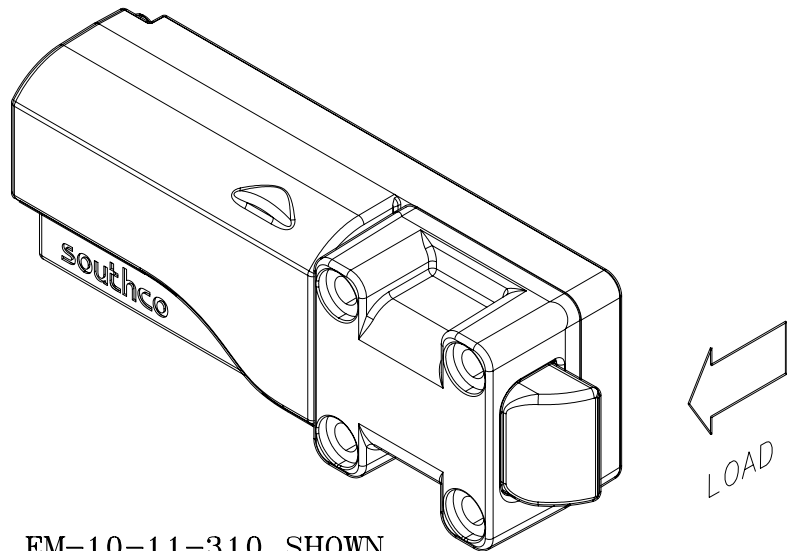


REV	DATE	DRAWN/CHKD	DESCRIPTION
A	02OCT2007	MJS/TAC	ADDED M4 & 6/32 INSTALL TORQUE



SOUTHCO PERFORMANCE GUIDELINES
 THE PERFORMANCE GUIDELINES SHOWN ON THIS PAGE ARE SUPPLIED AS A GENERAL GUIDE ONLY, AS CONDITIONS VARY WITH EACH APPLICATION AND METHOD OF INSTALLATION. STRENGTH DATA GIVEN IS FOR FAILURE OF THE PRODUCT OR FOR SUFFICIENT DEFORMATION TO MAKE PRODUCT INOPERABLE. NO SAFETY FACTOR HAS BEEN APPLIED. IT IS RECOMMENDED THAT THE USER REQUEST A PRODUCT SAMPLE FOR TESTING TO DETERMINE THE SUITABILITY OF THE PRODUCT FOR THE PURPOSE INTENDED AND USER'S PARTICULAR APPLICATION.



EM-10-11-310 SHOWN

PART NUMBER EM-10-1X-310

See J-EM-10-13-310 for latch dimensions

CYCLE LIFE AT 133 N (30 Lbf.) ^①	MAXIMUM WORKING LOAD ^③	MAXIMUM INSTALLATION TORQUE	ULTIMATE LOAD ON LATCH BOLT
100,000 ^②	270 N (60 Lbf.)	M4: 2.27 N m (20 Lbf.-in.) 6/32: 1.67 N m (15 Lbf.-in.)	1420 N (320 Lbf.)

- ① Cycle Life greater than 100K attainable at less than 133 N loads.
- ② 10,000 at -5°C; 10,000 at 45°C 40% RH; 80,000 at 25°C.
- ③ Tested at 9 VDC, Minimum Recommended Input Voltage.

