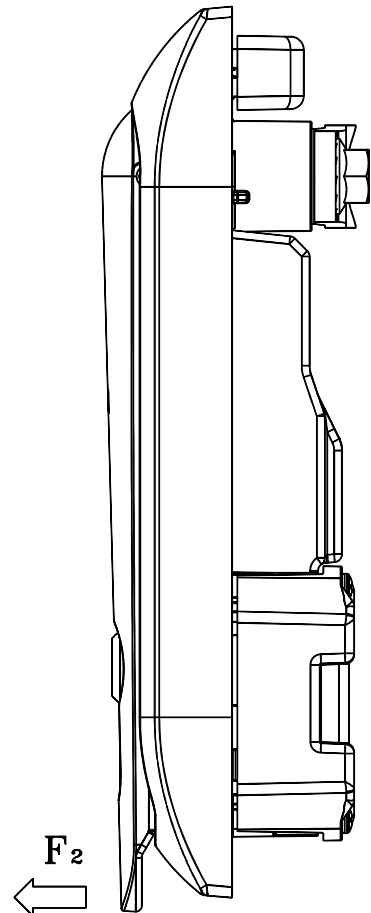
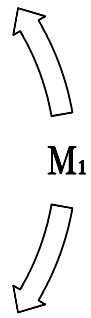
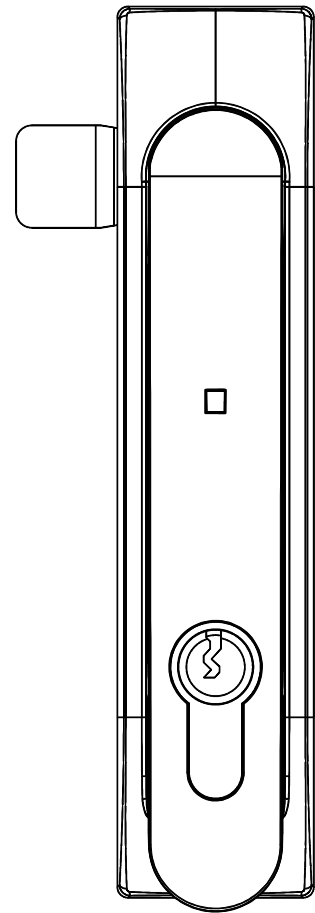
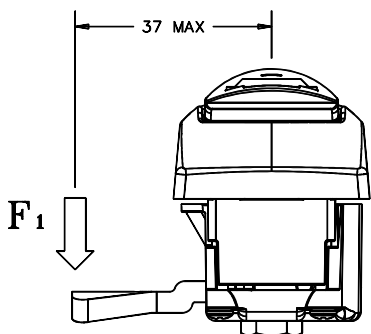


REV	DATE	DRAWN/CHKD	DESCRIPTION	PART NUMBER
A	30JUN2009	IGS/RLN	PRELIMINARY DRAWING	H3-EM-60-100

DATE	DRAWN/CHKD	SCALE	DRAWING NUMBER
16MAR2009	IGS/RLN	1:1	TD-H3-EM-60-100

THIRD ANGLE PROJECTION	A3 PAPER SIZE
------------------------	---------------

SOUTHCO PERFORMANCE GUIDELINES SHOWN ON THIS PAGE ARE SUPPLIED AS A GENERAL GUIDE ONLY, AS CONDITIONS VARY WITH EACH APPLICATION AND METHOD OF INSTALLATION. STRENGTH DATA GIVEN IS FOR FAILURE OF THE PRODUCT OR FOR SUFFICIENT DEFORMATION TO MAKE PRODUCT INOPERABLE. NO SAFETY FACTOR HAS BEEN APPLIED. IT IS RECOMMENDED THAT THE USER REQUEST A PRODUCT SAMPLE FOR TESTING TO DETERMINE THE SUITABILITY OF THE PRODUCT FOR THE PURPOSE INTENDED AND USER'S PARTICULAR APPLICATION.

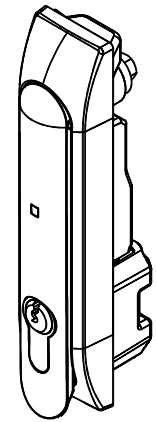


NOTE:

- FOR DIMENSIONS AND ELECTRICAL SPECIFICATION SEE DRAWING J-H3-EM-60-100.
- TEST DATA VALID FOR USE WITH SOUTHCO LOCK PLUG PK-99-79.

ULTIMATE LOAD M1	25 Nm
ULTIMATE LOAD F1	300 N
ULTIMATE LOAD F2	200 N
WORKING LOAD M1	20 Nm
WORKING LOAD F2 (NORMAL OPERATION)	0 N
② (ACCIDENTAL LOAD)	50 N
(MAXIMUM / 1-OFF)	100 N
SEE ALSO CYCLE LIFE SPECIFICATION	
CYCLE LIFE (LOCK/UNLOCK) AT F2 = 0.0 N ①	5000
CYCLE LIFE (LOCK/UNLOCK) AT F2 = 50 N ②	100
CYCLE LIFE (TURN HANDLE) AT WORKING LOAD ①	5000
MOUNTING SCREW MAX. TORQUE	0.5 Nm
PAWL SCREW INSTALLATION MIN. TORQUE	4 Nm
UL-94 RATING	V0 ③

- TESTED AT OPERATING TEMPERATURE RANGE 0°C TO +45°C WITH 85% RH. STORAGE TEMPERATURE -10°C TO +70°C.
- ONE OFF EVENT IS THE MAXIMUM FORCE POSSIBLE TO UNLOCK - SUBSEQUENT FUNCTIONALITY OF THE PRODUCT MAY BE AFFECTED. ACCIDENTAL LOAD CASE. HANDLE PULLED AT THE SAME TIME AS ELECTRIC LOCK ACTUATED. LOAD CASES NOT EXPECTED IN NORMAL SERVICE.
- ALL MOULDED COMPONENTS OVER 1 cm³ MADE FROM UL-94 V0 RATED MATERIAL. TOTAL AMOUNT OF NON RATED MATERIAL PER ASSEMBLY LESS THAN 3% BY VOLUME. ALL EXTERNAL COMPONENTS MADE FROM UL-94 V0 RATED MATERIAL.



ISOMETRIC
1:2