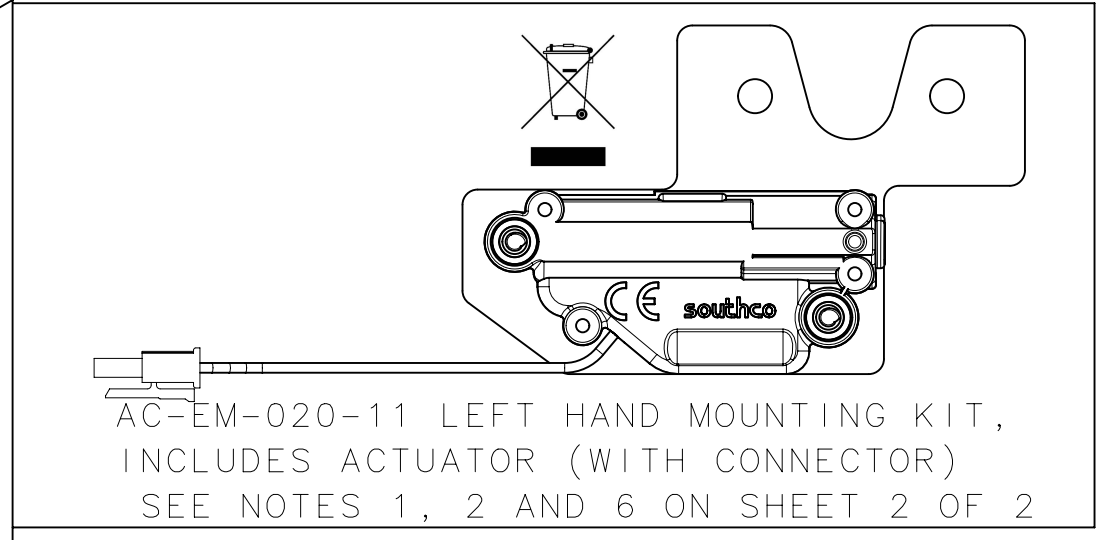
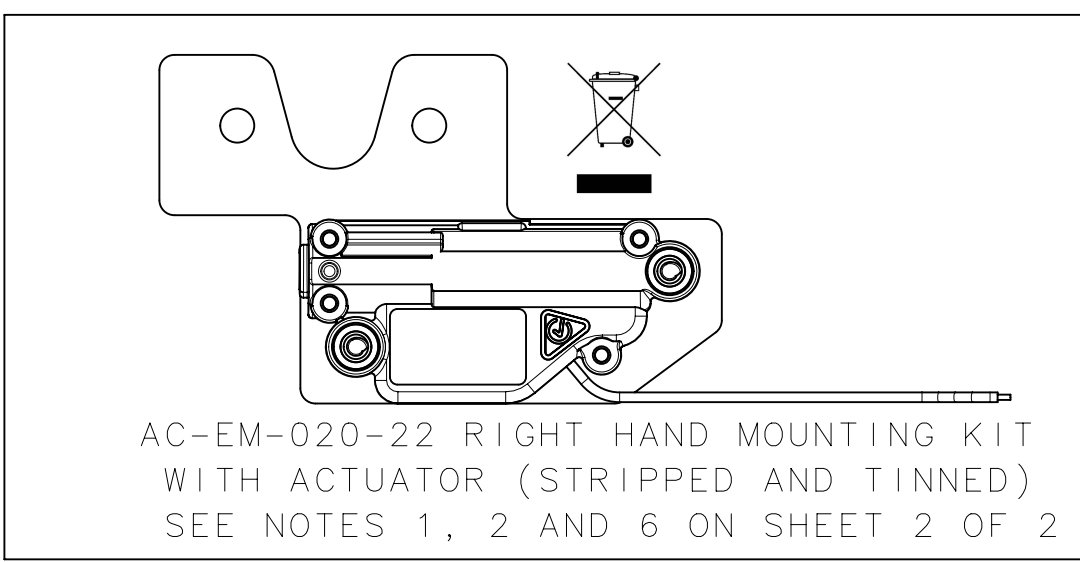
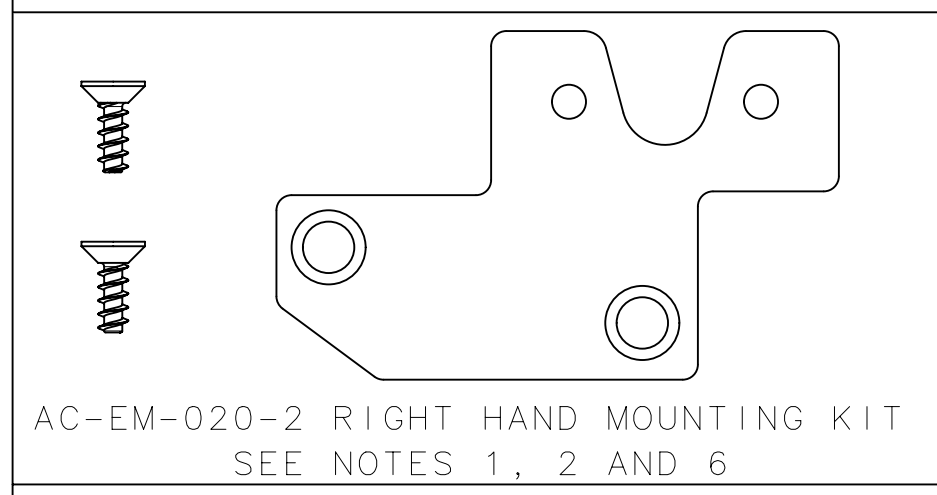
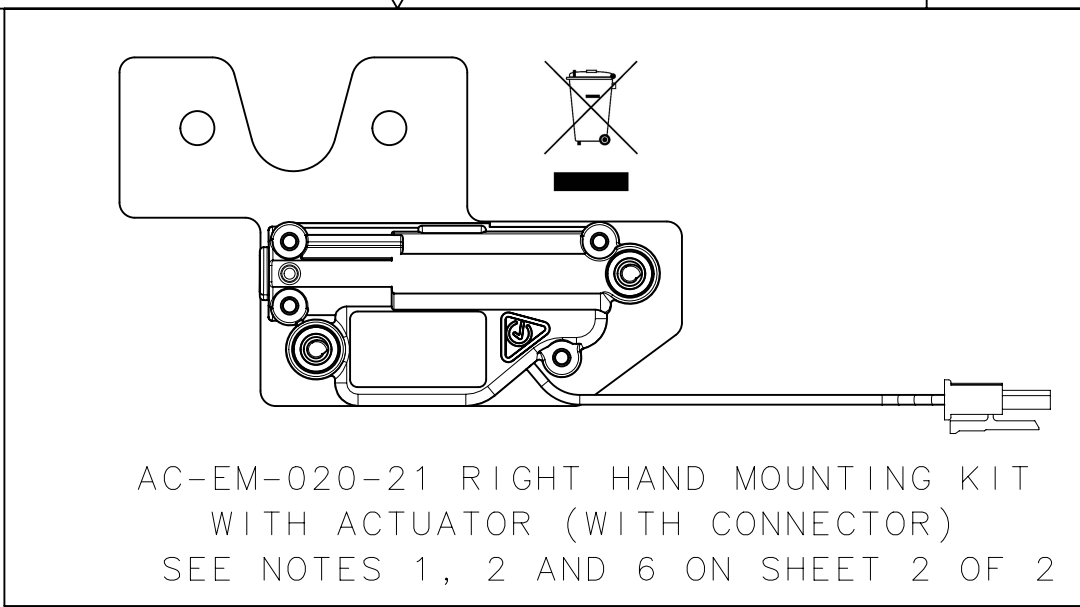
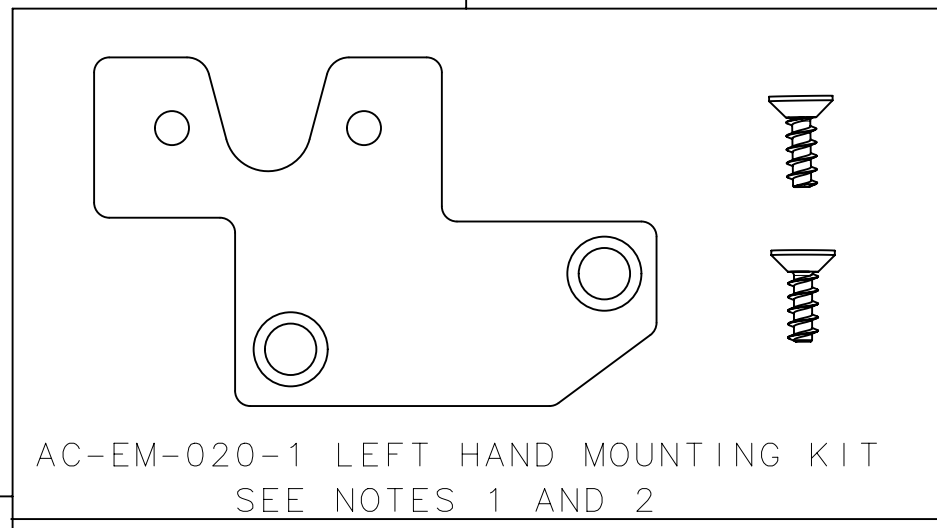
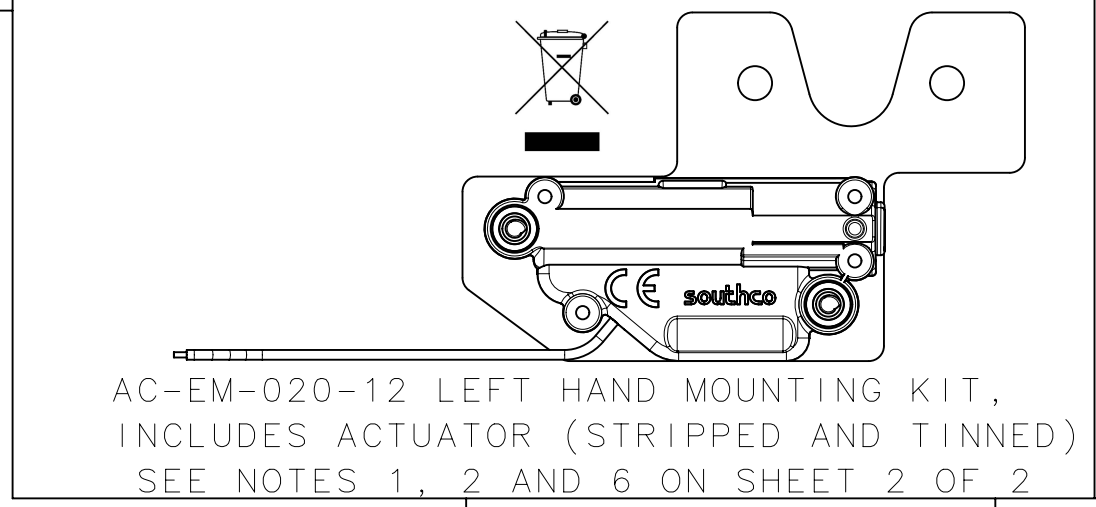


REVISION HISTORY			
REV	DATE	BY	DESCRIPTION
C	20APR2018	DJK/KAM	PRN: P2018-0969

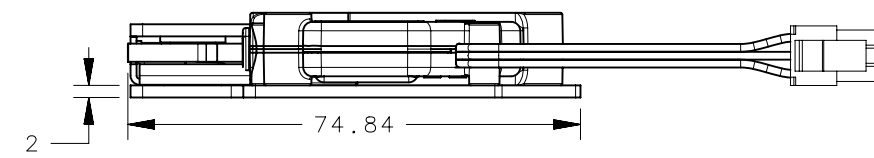
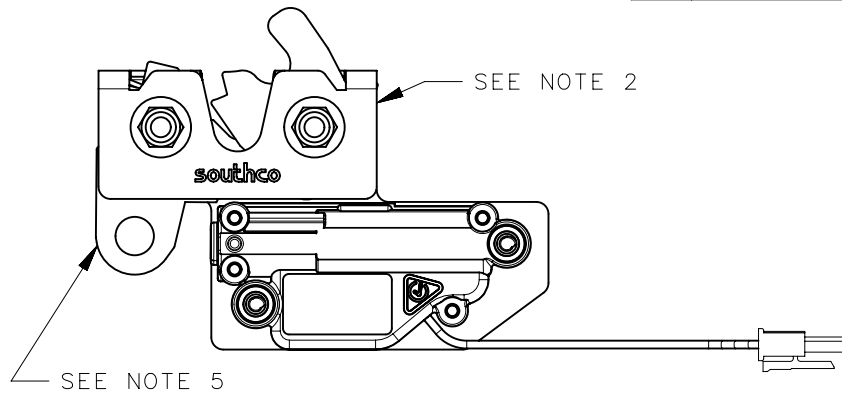
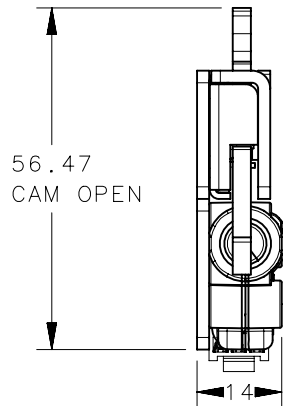
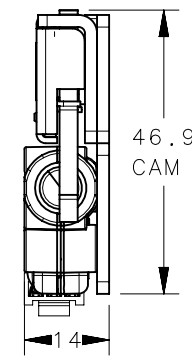
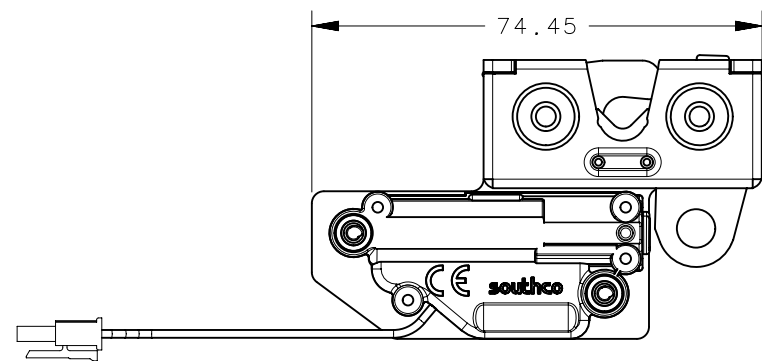


AC-EM-020-1	LEFT HAND MOUNTING KIT FOR AC-EM-05
AC-EM-020-2	RIGHT HAND MOUNTING KIT FOR AC-EM-05
AC-EM-020-11	LEFT HAND MOUNTING KIT, INCLUDES ACTUATOR (WITH CONNECTOR)
AC-EM-020-12	LEFT HAND MOUNTING KIT INCLUDES ACTUATOR (STRIPPED AND TINNED)
AC-EM-020-21	RIGHT HAND MOUNTING KIT WITH ACTUATOR (WITH CONNECTOR)
AC-EM-020-22	RIGHT HAND MOUNTING KIT WITH ACTUATOR (STRIPPED AND TINNED)
PART NUMBER	DESCRIPTION



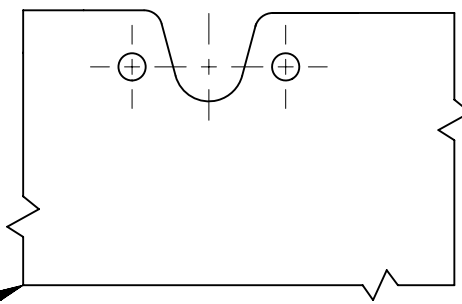
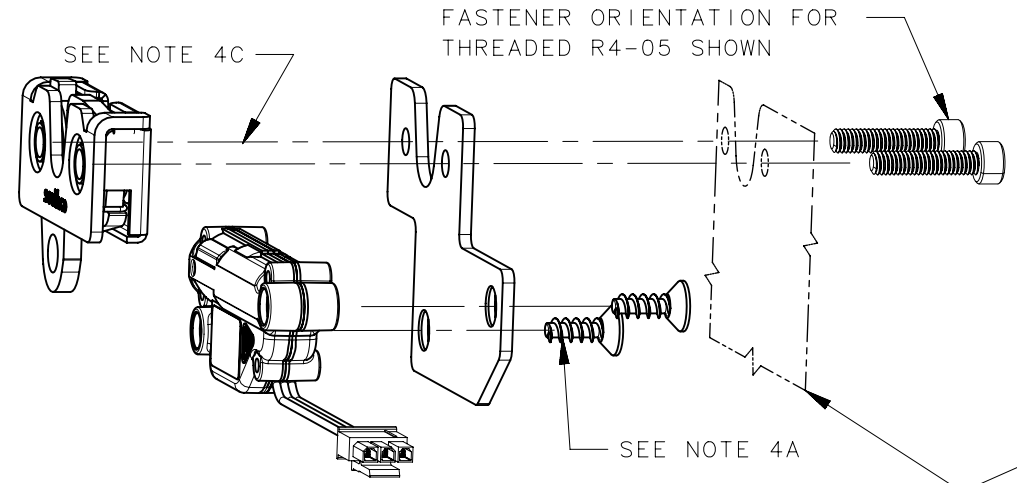
THIRD ANGLE PROJECTION			
MILLIMETERS [IN]			
SURFACE AREA mm ²		DESCRIPTION AC-EM-05 MOUNTING KIT	
VOLUME mm ³		ALL DIMENSIONS WITHOUT TOLERANCES ARE FOR REFERENCE ONLY	
PROPRIETARY ITEM		SIZE A3	SYSTEM NX
EXCEPT FOR USES EXPRESSLY GRANTED IN WRITING, INFORMATION DISCLOSED HEREON IS CONFIDENTIAL AND ALL RIGHTS, PATENT AND OTHERWISE, ARE RESERVED BY SOUTHCO, INC.		DWG NO. J-AC-EM-020	DATE 28JUN2017
PER ASME Y14.5M-1994		DRAWN BY CHW	SCALE 1:1
		SHEET 1 OF 2	

REVISION HISTORY			
REV	DATE	BY	DESCRIPTION
C	20APR2018	DJK/KAM	PRN: P2018-0969

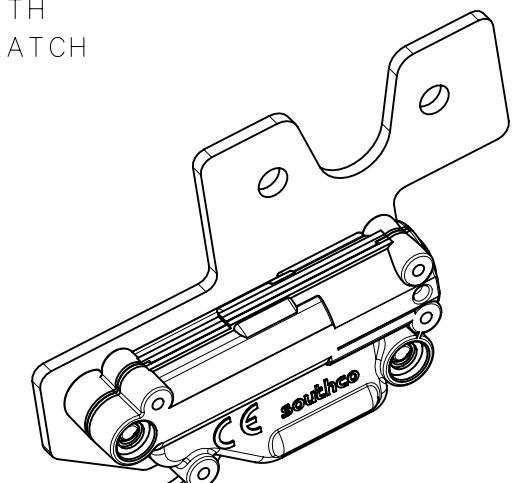


LEFT HAND AC-EM-020-1 SHOWN, ASSEMBLED WITH AC-EM-050-5010 ACTUATOR AND R4-05 ROTARY LATCH

RIGHT HAND AC-EM-020-2 SHOWN, ASSEMBLED WITH AC-EM-050-5010 ACTUATOR AND R4-05 ROTARY LATCH



KIT PANEL PREPARATION
SEE NOTE 4B



- NOTES:
- KITS AC-EM-020-1 AND AC-EM-020-2 THE AC-EM-05 ACTUATOR IS SOLD SEPARATE. KITS AC-EM-020-11, AC-EM-020-12, AC-EM-020-21, AC-EM-020-22 INCLUDE AC-EM-05 ACTUATOR. SEE J-AC-EM-05-1, FOR ACTUATOR OPERATING INSTRUCTIONS AND ADDITIONAL INFORMATION.
 - R4-05 LATCH AND NECESSARY MOUNTING HARDWARE SOLD SEPARATELY. MOUNTING KITS ARE COMPATIBLE WITH BOTTOM ACTUATED R4-05 LATCHES PN'S: R4-05-XX-505-10 AND R4-05-XX-505-20. SEE J-R4-05-10, J-R4-05-20 FOR ADDITIONAL LATCH INFORMATION.
 - MATERIALS AND FINISH:
 - SCREWS: STEEL, ZINC PLATED, CLEAR PASSIVATION.
 - MOUNTING PLATE: STEEL, ZINC PLATED.
 - MOUNTING INSTRUCTIONS:
 - FOR KITS AC-EM-020-1 AND AC-EM-020-2 ATTACH ACTUATOR TO PLATE USING SUPPLIED SCREWS (#2 PHILLIPS DRIVE).
 - MAXIMUM ALLOWABLE TORQUE ON SUPPLIED THREAD FORMING SCREWS 135 N.cm [12.0 in.lbs]
 - USE PANEL PREP SHOWN IN J-R4-05-10 FOR MOUNTING SURFACE.
 - INSERT LATCH MOUNTING HARDWARE (NOT PROVIDED, SEE J-R4-05-10) THROUGH MOUNTING PLATE AND LATCH, AND TIGHTEN TO MOUNTING SURFACE.
 - CONTACT SOUTHCO.COM FOR RECOMMENDED ACCESSORIES.
- CAUTION! IT IS IMPORTANT TO NOT OBSTRUCT THE MOTION OF THE LATCH TRIGGER DURING ELECTRICAL OPERATION TO PREVENT LONG TERM DAMAGE TO THE ELECTRICAL COMPONENTS IN THE ACTUATOR.
6. ENVIRONMENTAL PROTECTION: WASTE ELECTRICAL PRODUCTS SHOULD NOT BE DISPOSED OF WITH HOUSEHOLD WASTE. PLEASE RECYCLE WHERE FACILITIES EXIST. CHECK WITH YOUR LOCAL AUTHORITY OR RETAILER FOR RECYCLING ADVICE.

- PIN 3: CONTROL SIGNAL (+)
(ORANGE WIRE STRIPPED AND TINNED)
- PIN 2: POWER (+)
(RED WIRE STRIPPED AND TINNED)
- PIN 1: GROUND (-)
(BROWN WIRE STRIPPED AND TINNED)

ACTUATOR CONNECTOR PIN OUT AND WIRE DESIGNATOR

THIRD ANGLE PROJECTION			
MILLIMETERS [IN]			
TOLERANCES UNLESS OTHERWISE NOTED		DESCRIPTION AC-EM-05 MOUNTING KIT	
ALL DIMENSIONS WITHOUT TOLERANCES ARE FOR REFERENCE ONLY		SIZE A3	SYSTEM NX
PER ASME Y14.5M-1994		DWG NO. J-AC-EM-020	DATE 28JUN2017
DRAWN BY CHW		SCALE 1:1	SHEET 2 OF 2

EXCEPT FOR USES EXPRESSLY GRANTED IN WRITING, INFORMATION DISCLOSED HEREON IS CONFIDENTIAL AND ALL RIGHTS, PATENT AND OTHERWISE, ARE RESERVED BY SOUTHCO, INC.