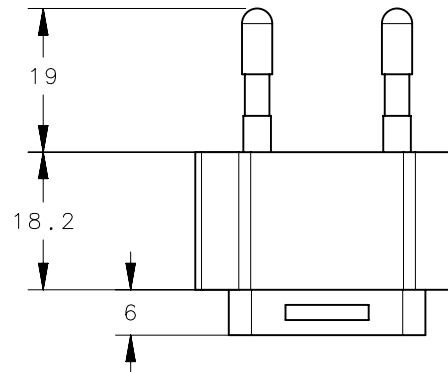
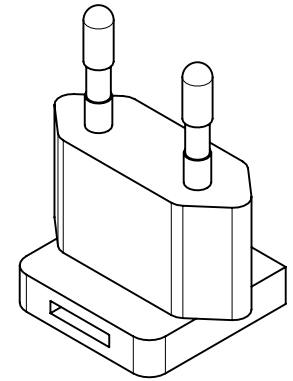
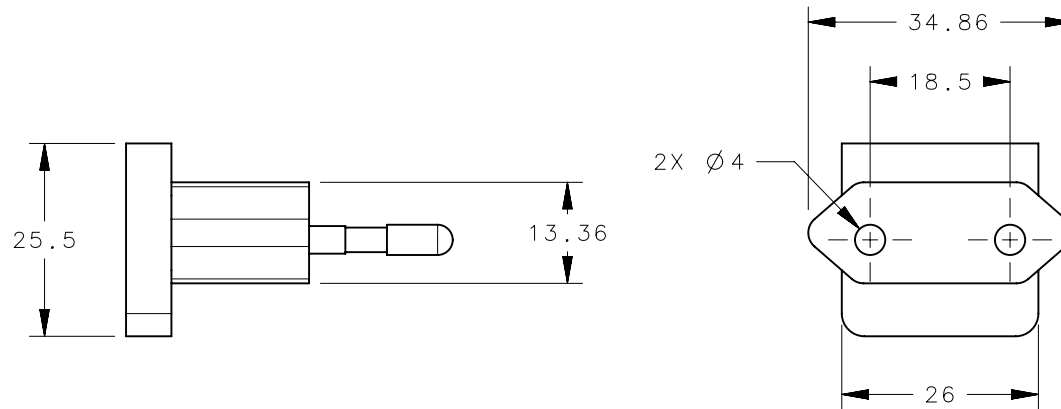


REVISION HISTORY			
REV	DATE	BY	DESCRIPTION
A	02MAR2010	ACH/ACH	PRN: INITIAL RELEASE



NOTES:

1. COMPATIBLE WITH SOUTHCO PART NUMBER EA-A02-002.
2. MATERIAL: HIGH IMPACT PLASTIC, 94V0 POLYCARBONATE, NON-VENTED, COLOR: BLACK.
3. CONNECTOR: EUROPLUG 2 PINS CLASS II MODEL NEMA 1-15P.
4. ROHS COMPLIANT.

		THIRD ANGLE PROJECTION		 CONNECT • CREATE • INNOVATE			
		MILLIMETERS [IN]					
SURFACE AREA		XXXXXmm ²		TOLERANCES UNLESS OTHERWISE NOTED		DESCRIPTION	
VOLUME		XXXXXmm ³		ALL DIMENSIONS WITHOUT TOLERANCES ARE FOR REFERENCE ONLY.		EA INPUT CONNECTOR EU INPUT	
PROPRIETARY ITEM		PER ASME Y14.5M-1994		SIZE	SYSTEM	DWG NO.	
EXCEPT FOR USES EXPRESSLY GRANTED IN WRITING, INFORMATION DISCLOSED HEREON IS CONFIDENTIAL AND ALL RIGHTS, PATENT AND OTHERWISE, ARE RESERVED BY SOUTHCO, INC.				A4	NX	J-EA-A02-002-2	
				DRAWN BY	DATE	SCALE	SHEET
				ACH/ACH	15MAR2010	1:1	1 OF 1