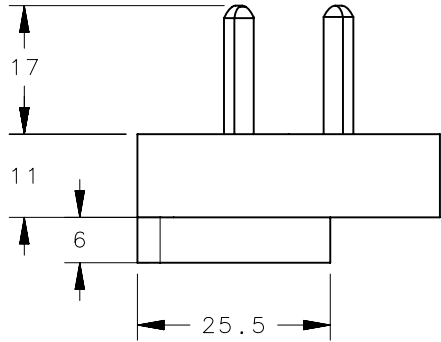
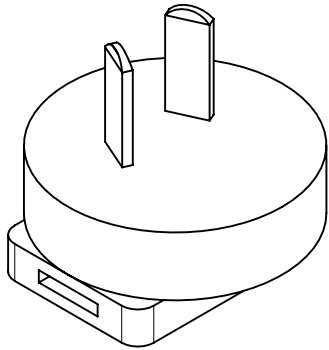
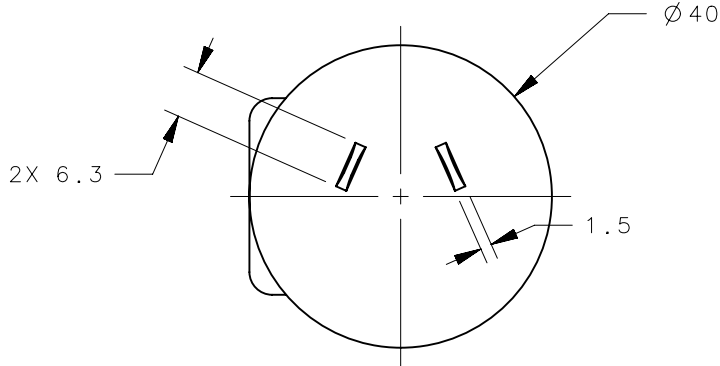
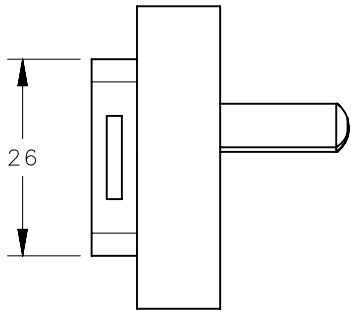


REVISION HISTORY			
REV	DATE	BY	DESCRIPTION
A	02MAR2010	ACH/ACH	PRN: INITIAL RELEASE



- NOTES:
1. COMPATIBLE WITH SOUTHCO PART NUMBER EA-A02-002.
 2. MATERIAL: HIGH IMPACT PLASTIC, 94V0 POLYCARBONATE, NON-VENTED, COLOR: BLACK.
 3. CONNECTOR: SAA 2 PINS CLASS II
 4. ROHS COMPLIANT.

		THIRD ANGLE PROJECTION		 CONNECT • CREATE • INNOVATE			
		MILLIMETERS [IN]					
SURFACE AREA		TOLERANCES UNLESS OTHERWISE NOTED		DESCRIPTION EA INPUT CONNECTOR SAA INPUT			
XXXXXmm ²		ALL DIMENSIONS WITHOUT TOLERANCES ARE FOR REFERENCE ONLY.					
VOLUME		PER ASME Y14.5M-1994		SIZE	SYSTEM	DWG NO.	
XXXXXmm ³				A4	NX	J-EA-A02-002-4	
<small>PROPRIETARY ITEM EXCEPT FOR USES EXPRESSLY GRANTED IN WRITING, INFORMATION DISCLOSED HEREON IS CONFIDENTIAL AND ALL RIGHTS, PATENT AND OTHERWISE, ARE RESERVED BY SOUTHCO, INC.</small>				DRAWN BY	DATE	SCALE	SHEET
				ACH/ACH	15MAR2010	1:1	1 OF 1