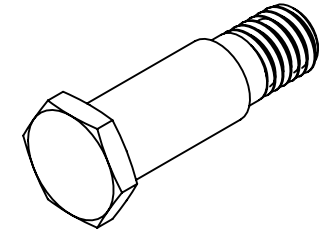
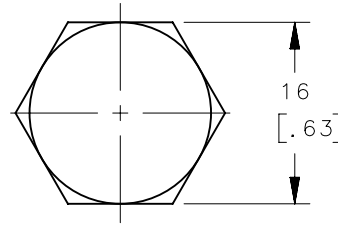
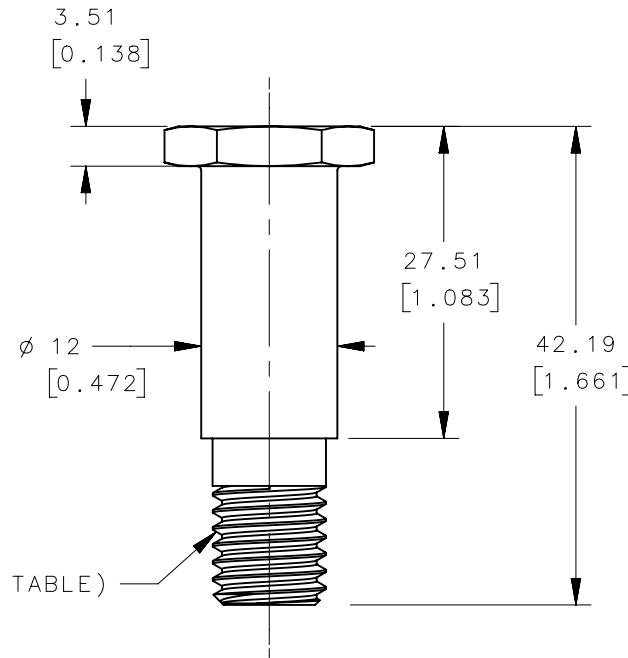


REVISION HISTORY			
REV	DATE	BY	DESCRIPTION
A	05JUN2018	VK/YGC	PRN: P2018-1377



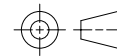
SCALE 1:1



THREAD (SEE TABLE)

R4-91-281-20	STRIKER BOLT	STAINLESS STEEL	PASSIVATED	3/8-16 UNC-2A
R4-91-231-20	STRIKER BOLT	STAINLESS STEEL	PASSIVATED	M10 x 1.5
SOUTHCO PART NUMBER	TYPE OF COMPONENT	MATERIAL	FINISH	THREAD

THIRD ANGLE
PROJECTION



MILLIMETERS [IN]

TOLERANCES UNLESS OTHERWISE NOTED

ALL DIMENSIONS WITHOUT
TOLERANCES ARE FOR
REFERENCE ONLY.

PER ASME Y14.5M-1994

southco[®]

CONNECT • CREATE • INNOVATE

DESCRIPTION

R4-20 STRIKER BOLT
STAINLESS STEEL

SIZE

A4

SYSTEM

NX

DWG NO.

J-R4-91-200-20

DRAWN BY

VK

DATE

05JUN2018

SCALE

1.5:1

SHEET

1 OF 1

NOTE:

1. TO BE USED WITH SOUTHCO STANDARD R4-20 SERIES LATCHES.

PROPRIETARY ITEM
EXCEPT FOR USES EXPRESSLY GRANTED
IN WRITING, INFORMATION DISCLOSED
HEREON IS CONFIDENTIAL AND ALL
RIGHTS, PATENT AND OTHERWISE,
ARE RESERVED BY SOUTHCO, INC.