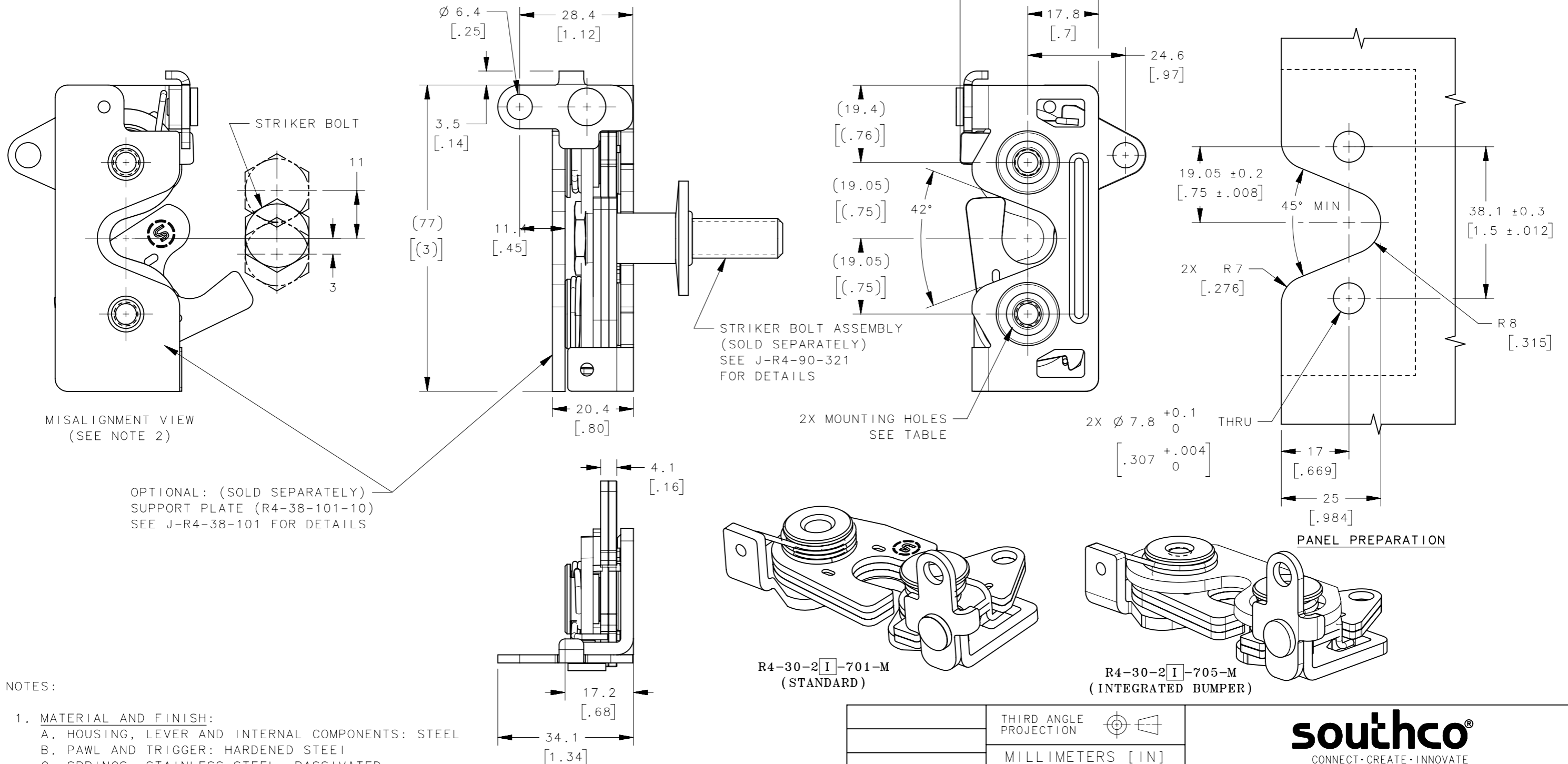


# R4-30-2 I -70 B-M

REVISION HISTORY			
REV	DATE	BY	DESCRIPTION
C	31MAR2021	ABK/VK	PRN: P2021-0640

- |                          |                     |                                    |
|--------------------------|---------------------|------------------------------------|
| <b>I</b> MOUNTING OPTION | <b>B</b> LATCHING   | <b>M</b> MATERIAL                  |
| 0 6.7 mm THRU HOLE       | 1 STANDARD          | 10 STEEL, ZINC PLATED              |
| 1 1/4-20 THREAD          | 5 INTEGRATED BUMPER | 15 STEEL, BLACK ZINC NICKEL PLATED |
| 2 M6 THREAD              |                     | 77 STEEL, ZINC NICKEL PLATED       |



**NOTES:**

- MATERIAL AND FINISH:**  
 A. HOUSING, LEVER AND INTERNAL COMPONENTS: STEEL  
 B. PAWL AND TRIGGER: HARDENED STEEL  
 C. SPRINGS: STAINLESS STEEL, PASSIVATED
- THE MISALIGNMENT VIEW ASSUMES THE LATCH IS CONNECTED TO A PERFECTLY RIGID DOOR AND HINGE; THEREFORE, THERE IS NO DOOR AND/OR HINGE SLACK ASSOCIATED WITH THESE DIMENSIONS, THE MISALIGNMENT VIEW DOES NOT TAKE FLEXING OF THE STRIKER BOLT INTO ACCOUNT.
- SAME AS R4-30-4X-701-10 EXCPT SINGLE STAGE.

THIRD ANGLE PROJECTION			
MILLIMETERS [IN]			
TOLERANCES UNLESS OTHERWISE NOTED		DESCRIPTION	
ALL DIMENSIONS WITHOUT TOLERANCES ARE FOR REFERENCE ONLY.		R4 LATCH ASSEMBLY - DUAL TRIGGER LH, STEEL, SINGLE STAGE	
PROPRIETARY ITEM	PER ASME Y14.5M-1994	SIZE A3	SYSTEM NX
EXCEPT FOR USES EXPRESSLY GRANTED IN WRITING, INFORMATION DISCLOSED HEREON IS CONFIDENTIAL AND ALL RIGHTS, PATENT AND OTHERWISE, ARE RESERVED BY SOUTHCO, INC.		DWG NO. J-R4-30-20-701-10	
		DRAWN BY RKS/VK	DATE 11DEC2019
		SCALE 1:1	SHEET 1 OF 1