

R4-30-2 I -30 B-M

REVISION HISTORY			
REV	DATE	BY	DESCRIPTION
E	02APR2021	ABK/VK	PRN: P2021-0654

I MOUNTING OPTION

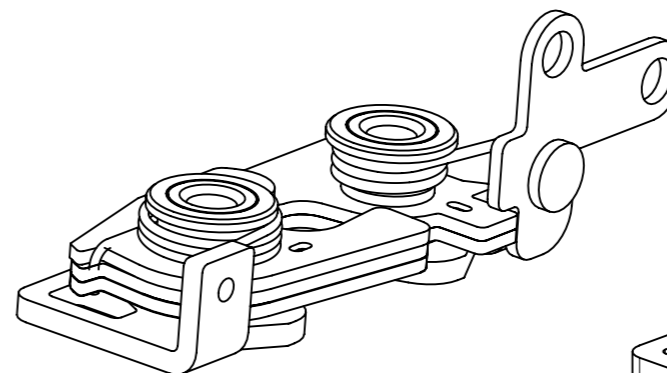
- 0 6.7 mm THRU HOLE
- 1 1/4-20 THREAD
- 2 M6 THREAD

B LATCHING

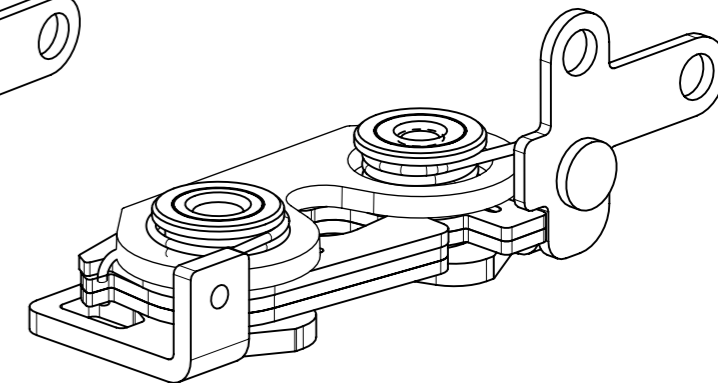
- 1 STANDARD
- 5 INTEGRATED BUMPER

M MATERIAL

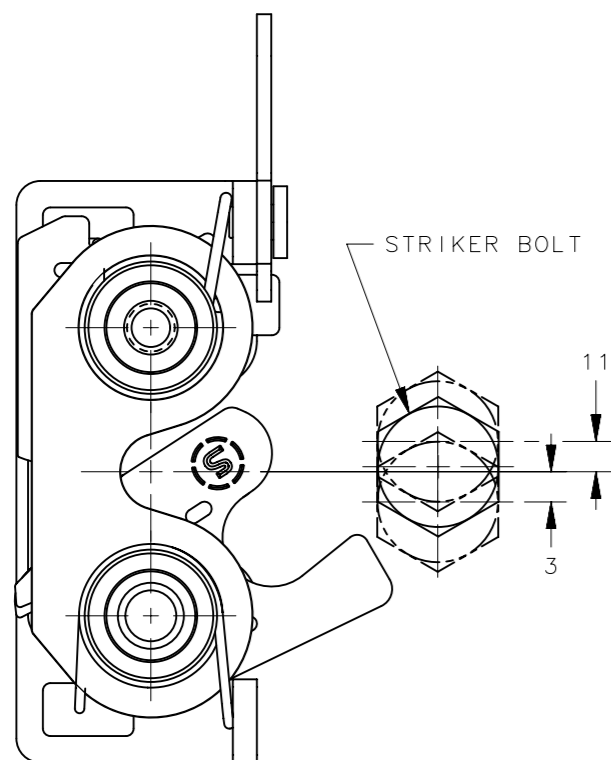
- 20 STAINLESS STEEL, PASSIVATED



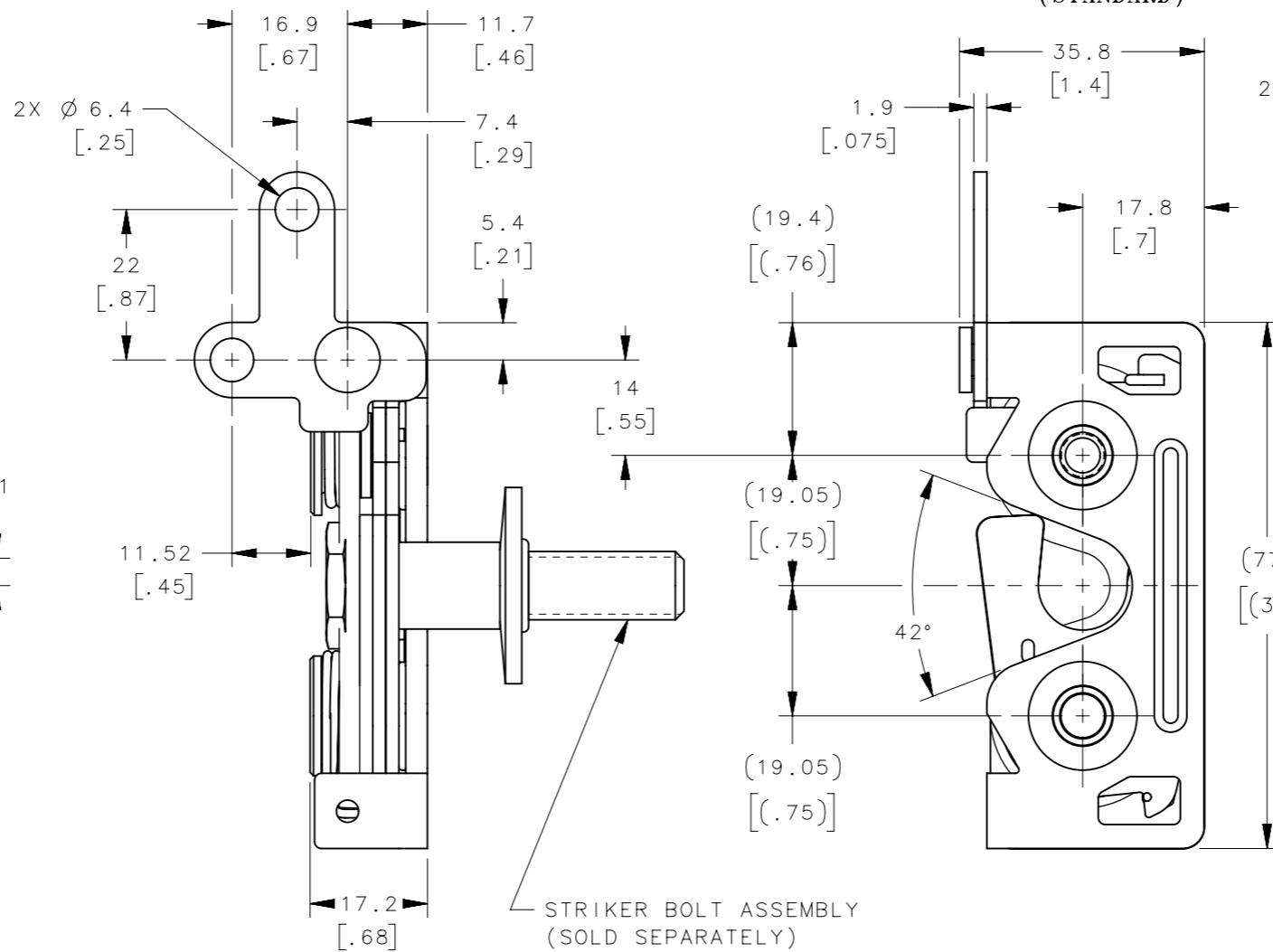
R4-30-2 I-301-20
(STANDARD)



R4-30-2 I-305-20
(INTEGRATED BUMPER)

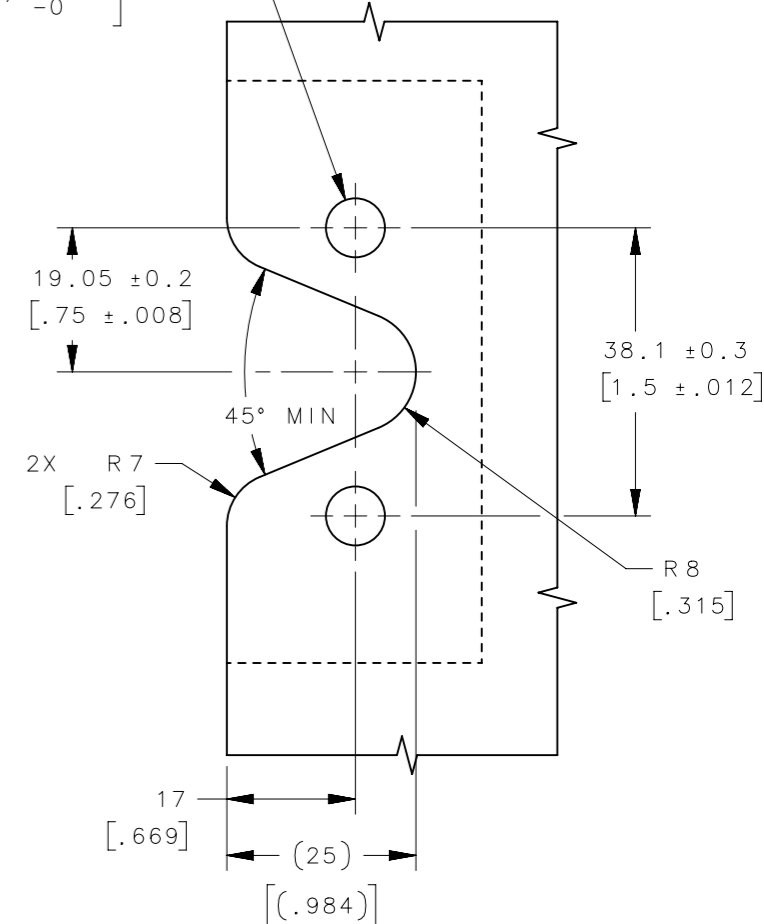


MISALIGNMENT VIEW
(SEE NOT 2)



STRIKER BOLT ASSEMBLY
(SOLD SEPARATELY)
SEE J-R4-90-321
FOR DETAILS

2X Ø 7.8 ^{+0.1}₋₀ THRU
[.307 ^{+0.004}₋₀]



PANEL PREPARATION

NOTES:

- MATERIAL AND FINISH:
 - A. HOUSING, LEVER AND INTERNAL COMPONENTS: STAINLESS STEEL, PASSIVATED
 - B. PAWL AND TRIGGER: STAINLESS STEEL, PASSIVATED
 - C. SPRINGS: STAINLESS STEEL, PASSIVATED
- THE MISALIGNMENT VIEW ASSUMES THE LATCH IS CONNECTED TO A PERFECTLY RIGID DOOR AND HINGE; THEREFORE, THERE IS NO DOOR AND/OR HINGE SLACK ASSOCIATED WITH THESE DIMENSIONS, THE MISALIGNMENT VIEW DOES NOT TAKE FLEXING OF THE STRIKER BOLT INTO ACCOUNT.
- SAME AS R4-30-4X-301-20 EXCPT SINGLE STAGE.

THIRD ANGLE PROJECTION						
MILLIMETERS [IN]	DESCRIPTION					
TOLERANCES UNLESS OTHERWISE NOTED	R4 LATCH ASSEMBLY - TWO POINT LH, SS, SINGLE STAGE					
ALL DIMENSIONS WITHOUT TOLERANCES ARE FOR REFERENCE ONLY	SIZE	SYSTEM	DWG NO.	DATE		
PER ASME Y14.5M-1994	A3	NX	J-R4-30-20-301-20	RKS/PG	20FEB2018	SCALE 1:1 SHEET 1 OF 1

PROPRIETARY ITEM
EXCEPT FOR USES EXPRESSLY GRANTED
IN WRITING, INFORMATION DISCLOSED
HEREON IS CONFIDENTIAL AND ALL
RIGHTS, PATENT AND OTHERWISE,
ARE RESERVED BY SOUTHCO, INC.