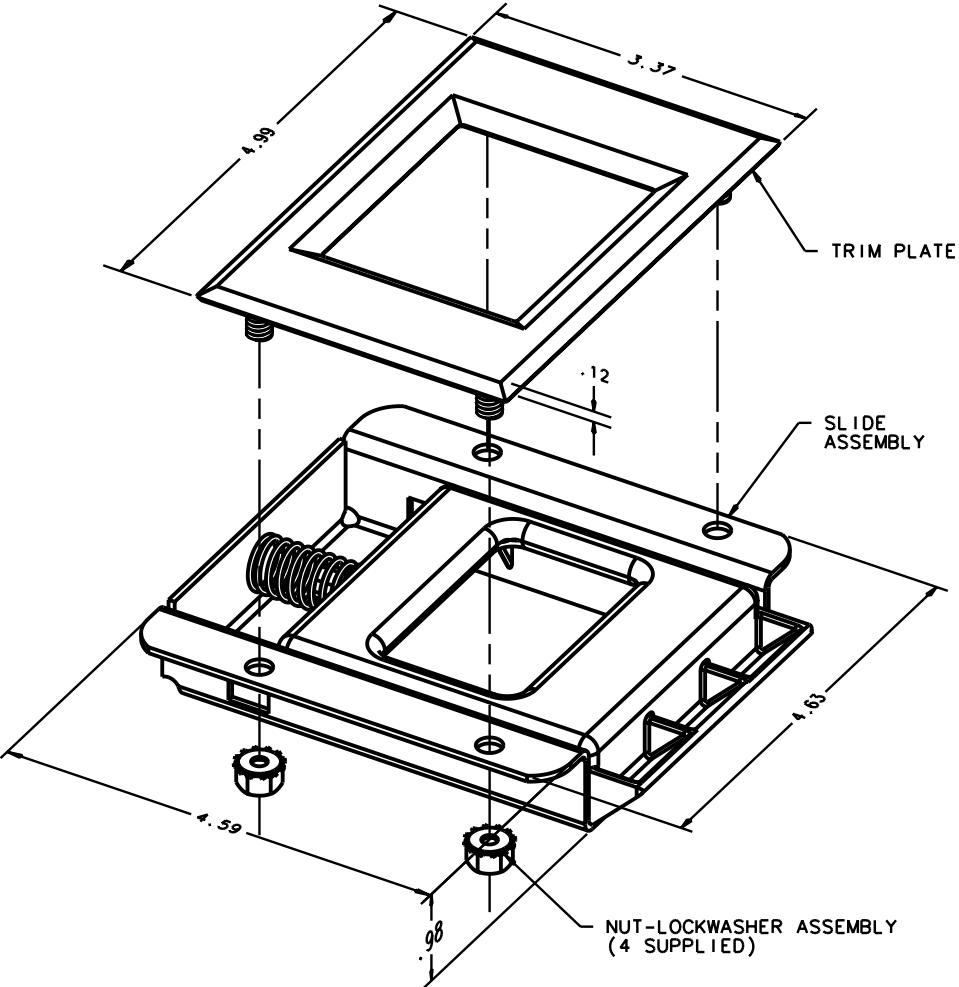


REV.	DATE	DRAWN	REVISION	ITEM	COMPONENT	PART No	MATERIAL	FINISH	REMARKS
I	18DEC2001	JPW/JSS	PRN: P2001-0337	ASSEMBLY		B7-40-501-10			
				SLIDE ASSEMBLY		B7-10-501-10			PACKAGED ONE PER PLASTIC BAG
					HOUSING		1010 STEEL	BLACK POWDER COATING	
					SLIDE		NYLON	BLACK	
					SPRING		302 STAINLESS STEEL	PASSIVATED	
					STUD		LOW CARBON STEEL	SEE NOTE "A"	
					WASHER		ACETAL	BLACK	
				TRIM PLATE		B7-33-501-10	1010 STEEL	BLACK POWDER COATING	PACKAGED ONE PER PLASTIC BAG
				NUT-LOCKWASHER ASSY (4)		14-0-12327-05	STEEL	SEE NOTE "B"	4 EACH SHIPPED IN BULK

INCH DIMENSIONS WITHOUT TOLERANCES ARE FOR REFERENCE ONLY.

THIRD ANGLE PROJECTION
A4 PAPER SIZE



NOTES:

- A. ZINC ALLOY PLATE, CHROMATE PLUS SEALER.
- B. ZINC PLATE, BRIGHT CHROMATE.

INSTALLATION INSTRUCTIONS:

- A. PREPARE PANEL AS SHOWN. NOTE MAX FRAME AND PANEL THICKNESSES.
- B. PLACE TRIM PLATE ASSEMBLY INTO PREPARED HOLES IN PANEL. PLACE SLIDE ASSEMBLY OVER TRIM PLATE STUDS, AS SHOWN. THREAD NUTS (PROVIDED) OVER STUDS AND TIGHTEN. CHECK FASTENER OPERATION.

