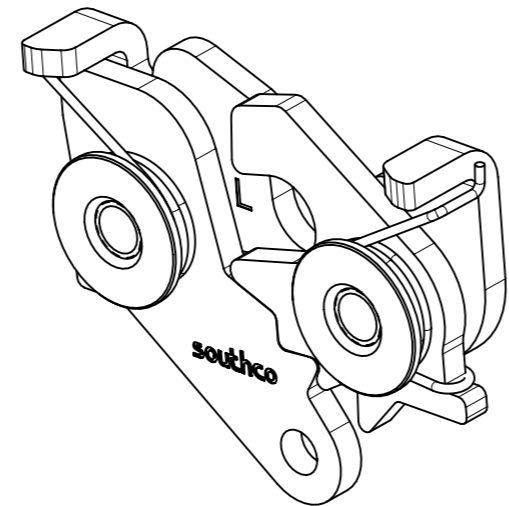


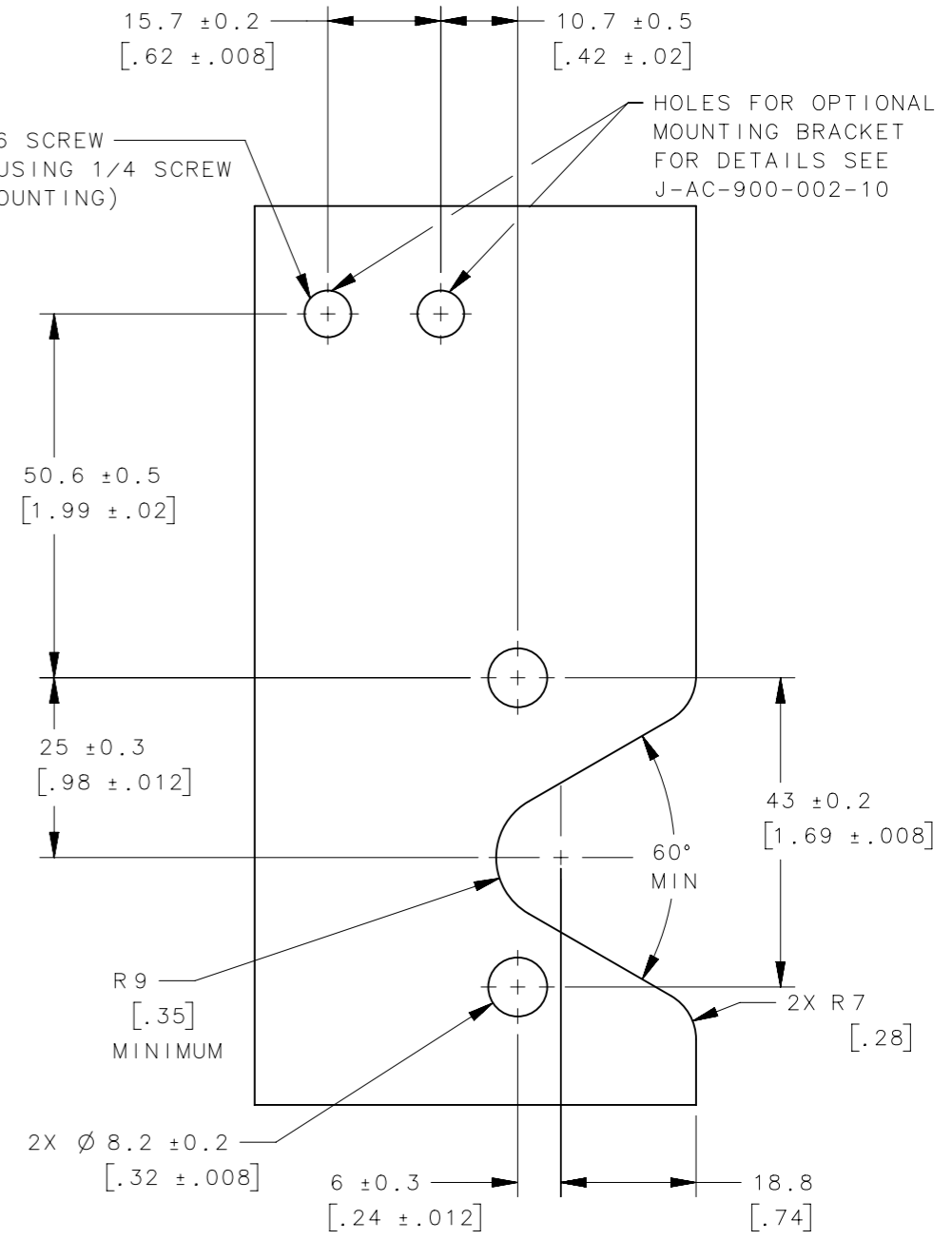
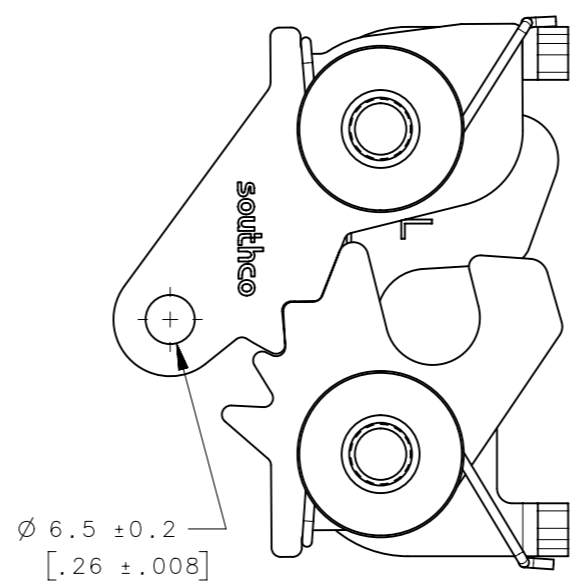
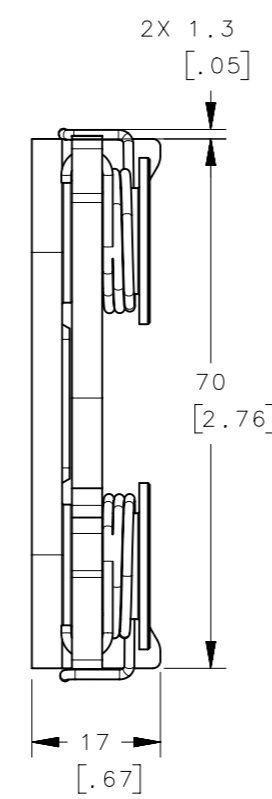
REVISION HISTORY			
REV	DATE	BY	DESCRIPTION
A	05JUN2018	VK/YGC	PRN: P2018-1377



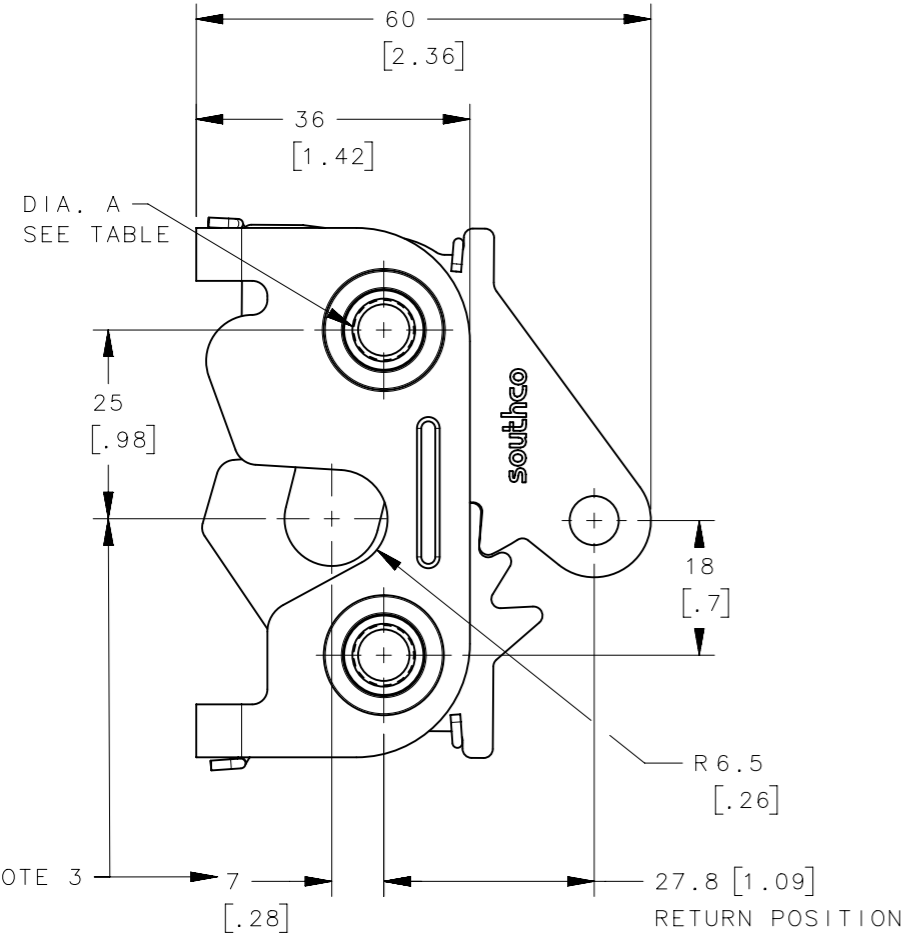
2X $\phi 6.5$ IF USING M6 SCREW
 2X H-SIZE DRILL IF USING 1/4 SCREW
 (FOR THROUGH HOLE MOUNTING)

HOLES FOR OPTIONAL MOUNTING BRACKET FOR DETAILS SEE J-AC-900-002-10

SCALE 1:1



PANEL PREPARATION



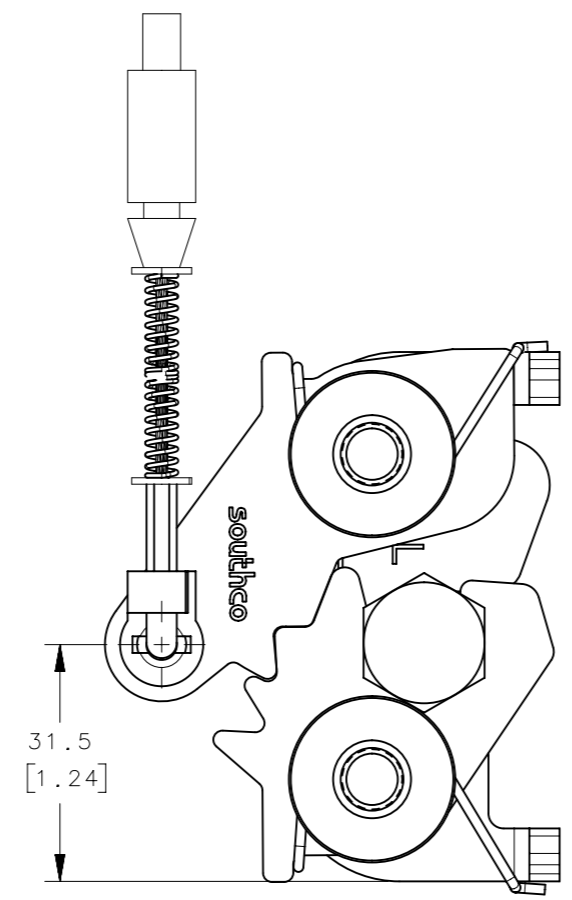
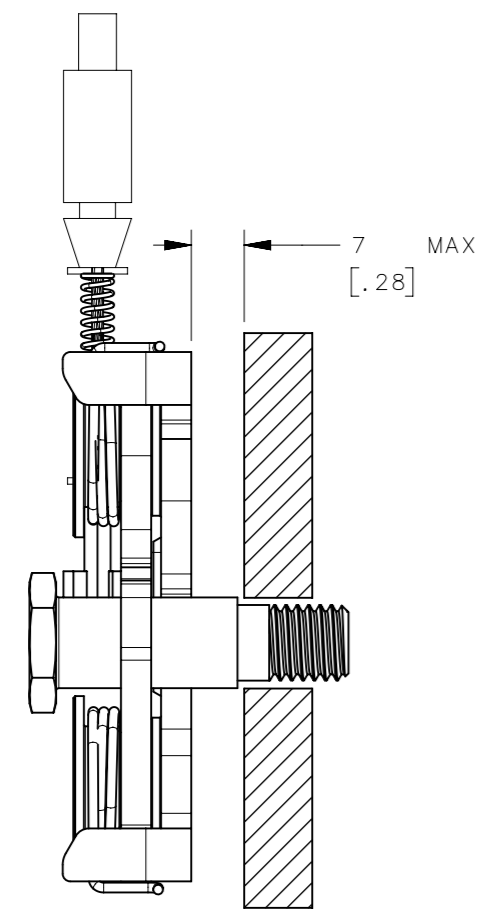
SEE NOTE 3

PART NUMBER	DESCRIPTION	DIMENSION "A"	MATERIAL	FINISH
R4-20-42-501-10	M8 THREAD ASSEMBLY	M8 x 1.25	SEE NOTE 1	SEE NOTE 1
R4-20-41-501-10	5/16-18 THREAD ASSEMBLY	5/16 - 18	SEE NOTE 1	SEE NOTE 1
R4-20-40-501-10	$\phi 8.3$ THRU ASSEMBLY	$\phi 8.3 \pm 0.12$	SEE NOTE 1	SEE NOTE 1

- NOTES:
- MATERIAL AND FINISH:
HOUSING, PIN, PAWL, TRIGGER AND SPRING:
STAINLESS STEEL, PASSIVATED.
 - REFER TO TRADE DRAWING J-AC-C FOR CABLE SELECTION.
 - THESE DIMENSIONS REQUIRED FOR MOUNTING STRIKER BOLT.

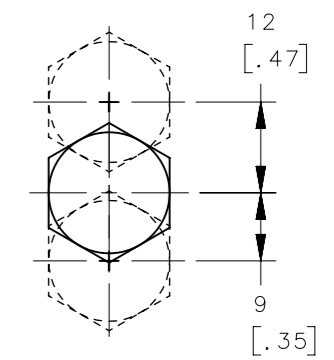
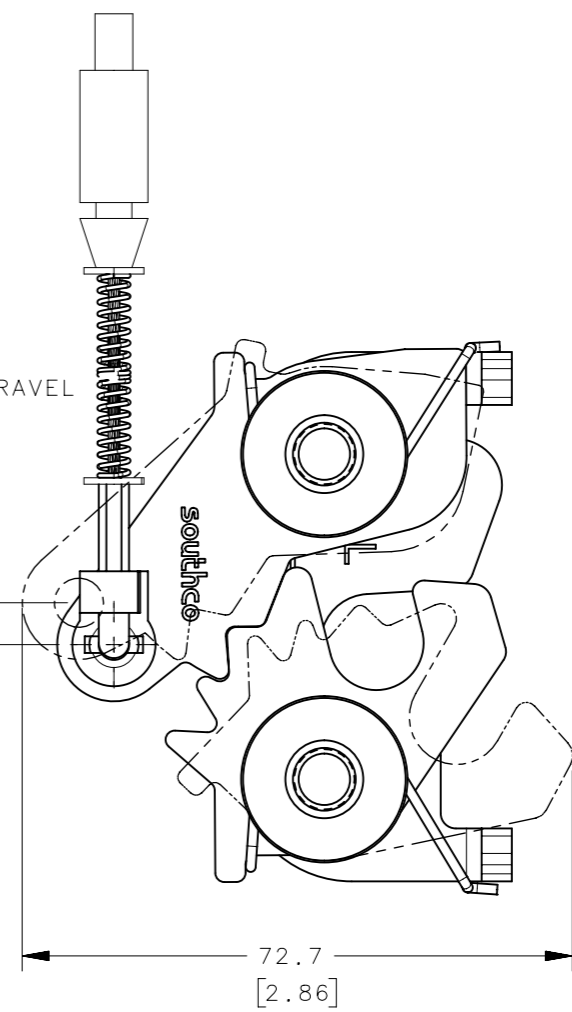
THIRD ANGLE PROJECTION		 CONNECT • CREATE • INNOVATE		
MILLIMETERS [IN]				
TOLERANCES UNLESS OTHERWISE NOTED		DESCRIPTION R4-20 DUAL STAGE, LEFT HAND STAINLESS STEEL		
ALL DIMENSIONS WITHOUT TOLERANCES ARE FOR REFERENCE ONLY.		SIZE A3	SYSTEM NX	DWG NO. J-R4-20-40-501-20
PER ASME Y14.5M-1994		DRAWN BY VK	DATE 23MAY2018	SCALE 1:1
EXCEPT FOR USES EXPRESSLY GRANTED IN WRITING, INFORMATION DISCLOSED HEREON IS CONFIDENTIAL AND ALL RIGHTS, PATENT AND OTHERWISE, ARE RESERVED BY SOUTHCO, INC.		SHEET 1 OF 3		

REVISION HISTORY			
REV	DATE	BY	DESCRIPTION
A	05JUN2018	VK/YGC	PRN: P2018-1377



AMOUNT OF TRIGGER TRAVEL

5.5 MIN
[.217]
8 MAX
[.315]



MISALIGNMENT VIEW
(SEE NOTE 4)

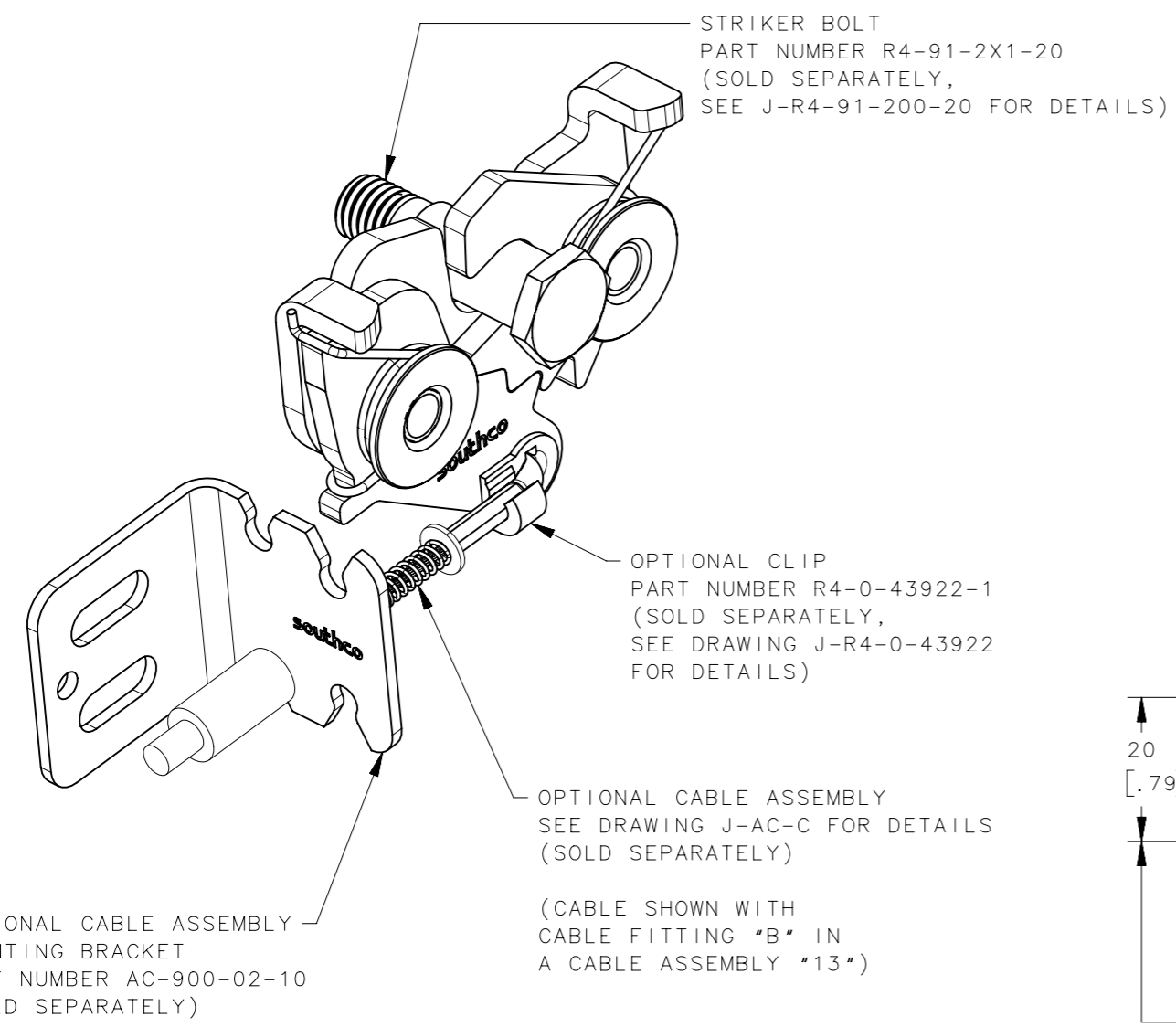
NOTES:

4. THE TOLERANCE BETWEEN THE LATCH AND STRIKER BOLT ASSUMES A NON-RIGID DOOR INSTALLATION THAT WILL ALLOW THE DOOR TO MOVE INTO THE NOMINAL POSITION DURING LATCHING. RIGID DOORS MUST HAVE THE STRIKER INSTALLED PER THE PANEL PREPARATION RECOMMENDATION.

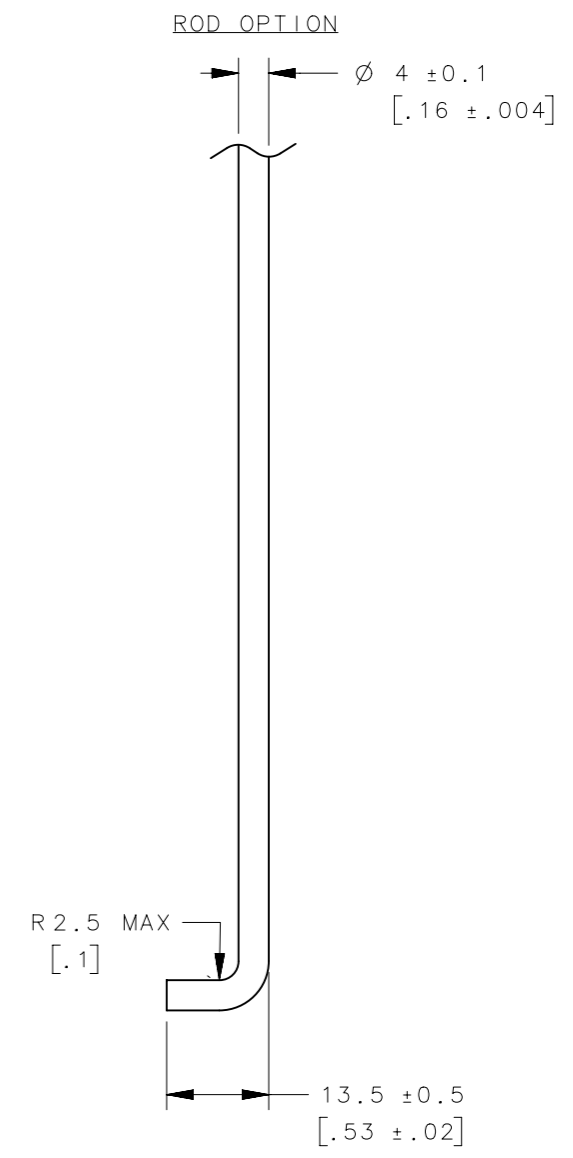
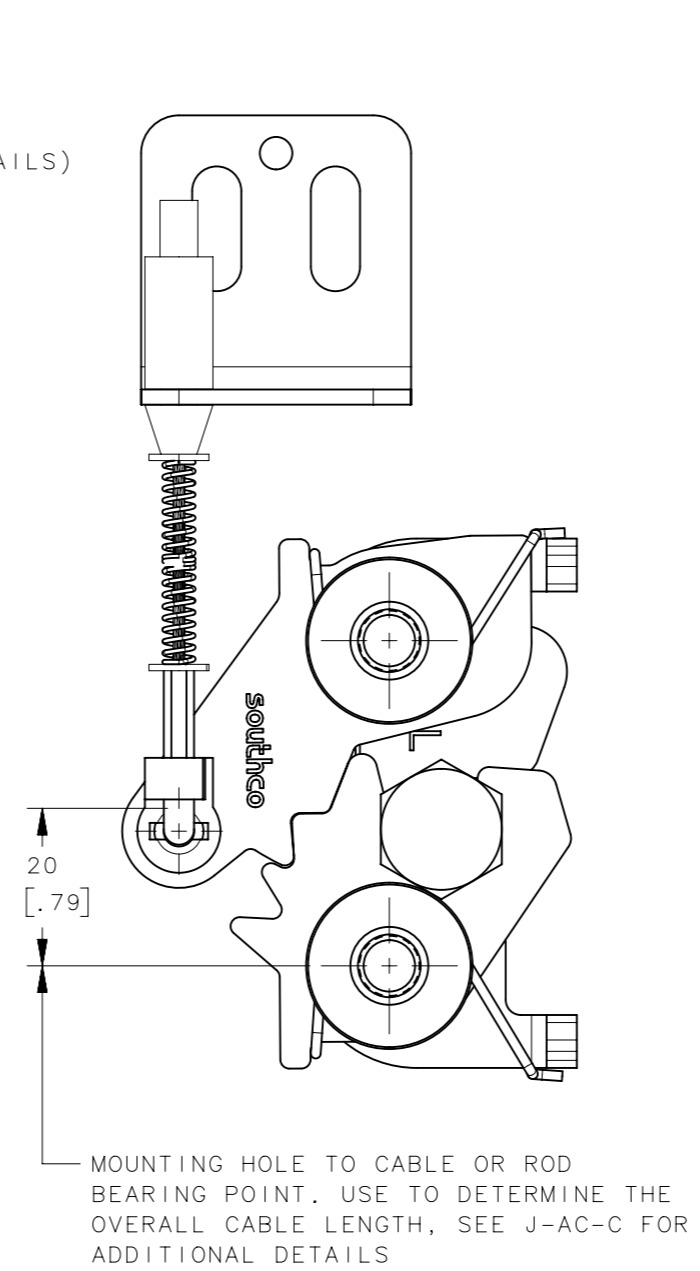
	THIRD ANGLE PROJECTION	 CONNECT • CREATE • INNOVATE		
	MILLIMETERS [IN]			
SURFACE AREA	TOLERANCES UNLESS OTHERWISE NOTED	DESCRIPTION R4-20 DUAL STAGE, LEFT HAND STAINLESS STEEL		
VOLUME	ALL DIMENSIONS WITHOUT TOLERANCES ARE FOR REFERENCE ONLY.	SIZE A3	SYSTEM NX	DWG NO. J-R4-20-40-501-20
PROPRIETARY ITEM <small>EXCEPT FOR USES EXPRESSLY GRANTED IN WRITING, INFORMATION DISCLOSED HEREON IS CONFIDENTIAL AND ALL RIGHTS, PATENT AND OTHERWISE, ARE RESERVED BY SOUTHCO, INC.</small>	PER ASME Y14.5M-1994	DRAWN BY VK	DATE 23MAY2018	SCALE 1:1
				SHEET 2 OF 3

REVISION HISTORY			
REV	DATE	BY	DESCRIPTION
A	05JUN2018	VK/YGC	PRN: P2018-1377

NOTE:
 ASSEMBLY SHOWN WITH SOUTHCO CABLE FITTING "B"
 AND CABLE "3". SEE J-AC-C FOR DETAILS



INSTALL USING 3 SCREWS
 (2 MOUNTING, 1 SET)
 (SCREWS NOT SUPPLIED)
 SEE J-AC-900-02-10 FOR
 DETAILS



THIRD ANGLE PROJECTION				southco [®] CONNECT • CREATE • INNOVATE	
MILLIMETERS [IN]					
SURFACE AREA		TOLERANCES UNLESS OTHERWISE NOTED		DESCRIPTION R4-20 DUAL STAGE, LEFT HAND STAINLESS STEEL	
VOLUME		ALL DIMENSIONS WITHOUT TOLERANCES ARE FOR REFERENCE ONLY.			
PROPRIETARY ITEM		SIZE A3	SYSTEM NX	DWG NO. J-R4-20-40-501-20	
EXCEPT FOR USES EXPRESSLY GRANTED IN WRITING, INFORMATION DISCLOSED HEREON IS CONFIDENTIAL AND ALL RIGHTS, PATENT AND OTHERWISE, ARE RESERVED BY SOUTHCO, INC.		PER ASME Y14.5M-1994		DRAWN BY VK	DATE 23MAY2018
				SCALE 1:1	SHEET 3 OF 3