

6

5

4

3

2

1

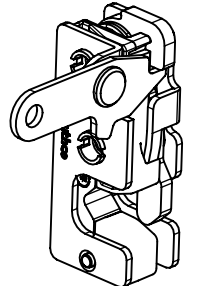
REVISION HISTORY			
REV	DATE	BY	DESCRIPTION
C	29JUL2021	KSH/HPD	PRN: P2021-1527

PERPENDICULAR

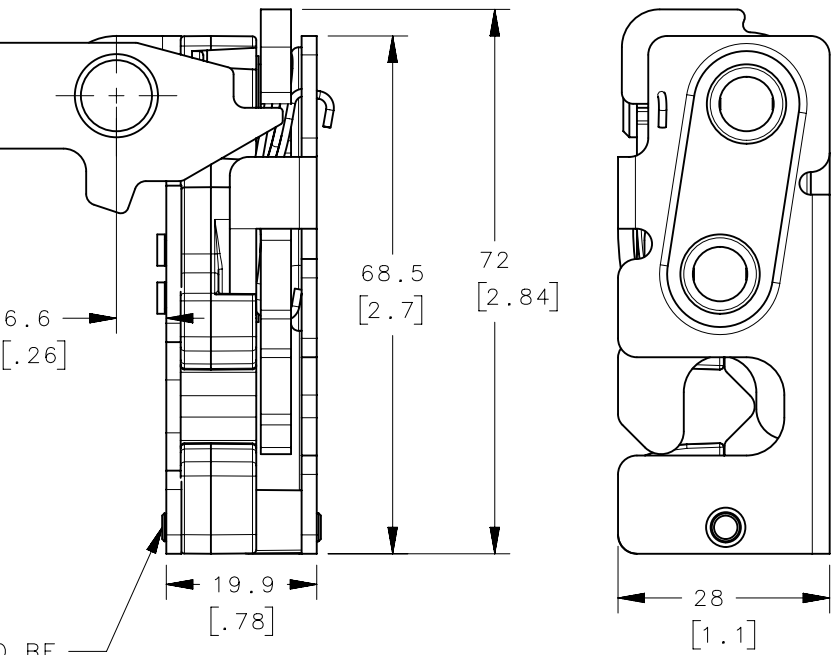
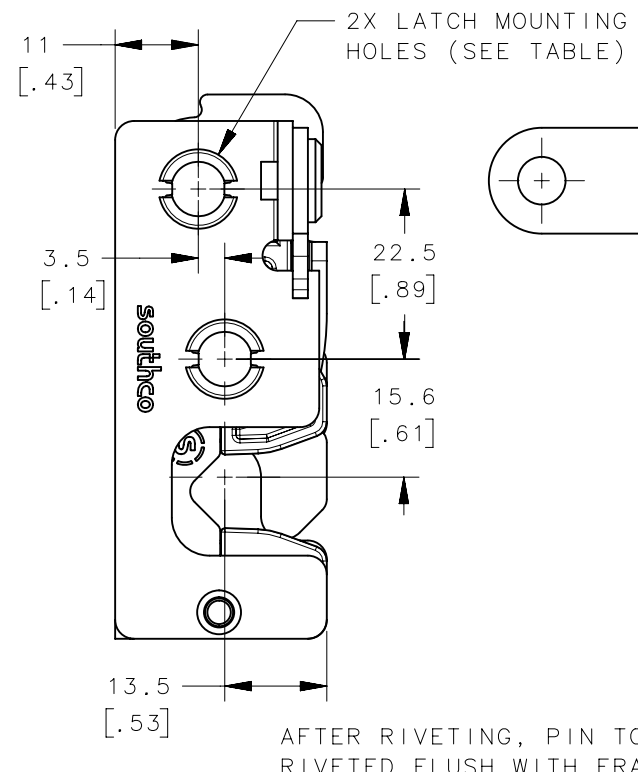
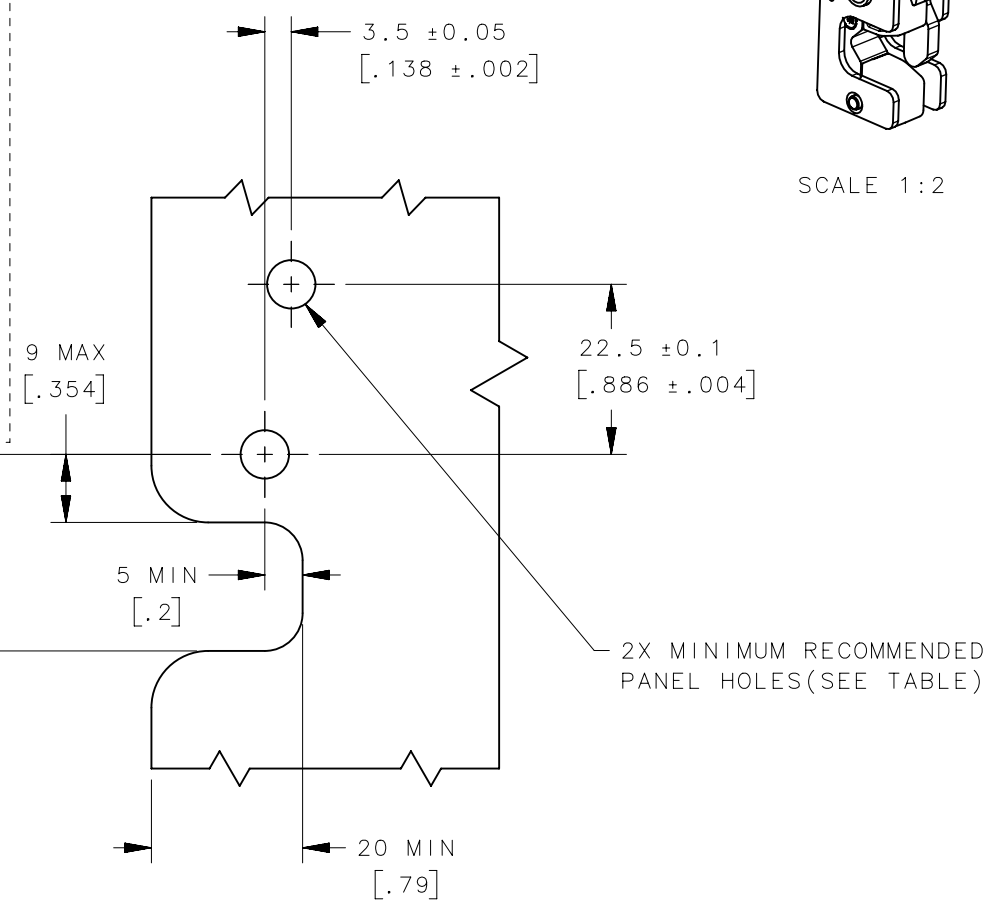
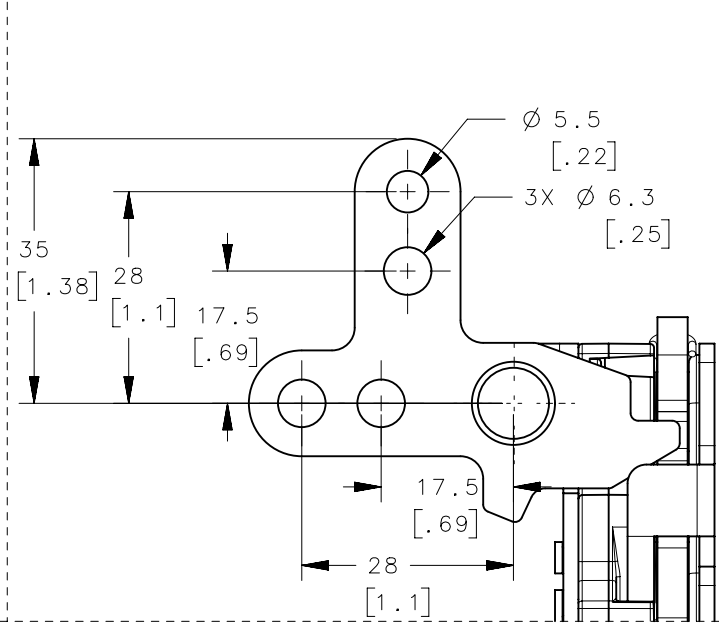
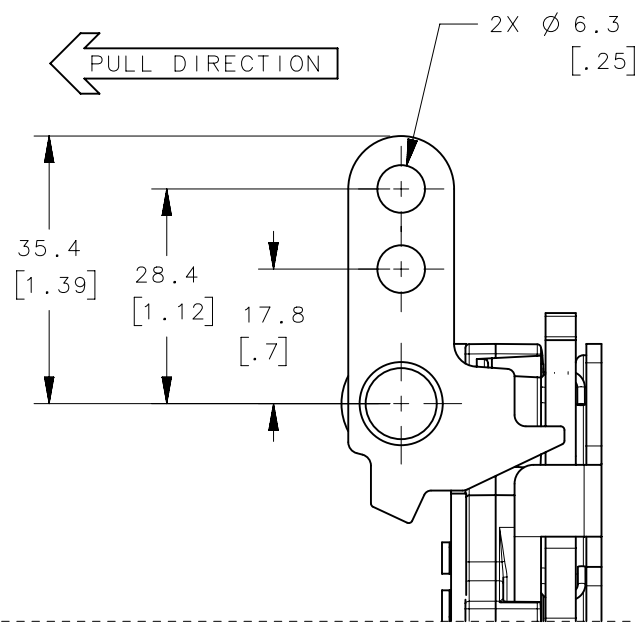
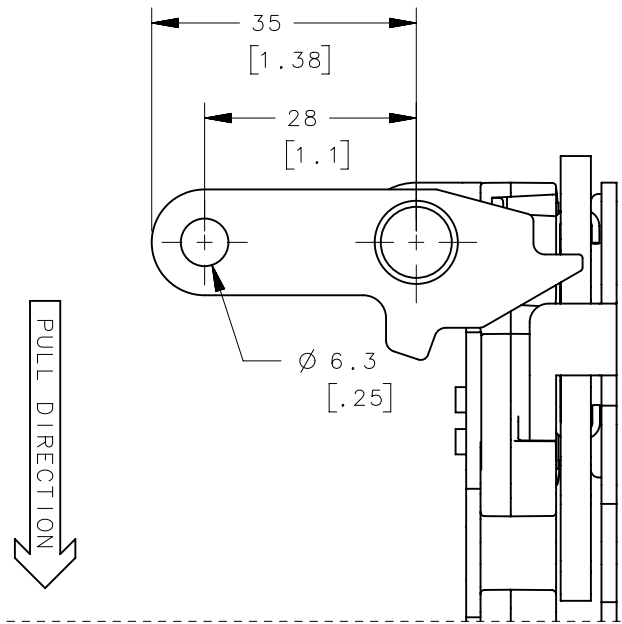
IN-LINE

TWO POINT

PANEL PREPARATION



SCALE 1:2



ASSEMBLY PART No.
R4-10-□□-□05-10

STAGE & ACTUATION	MOUNTING STYLE	LEVER TYPE
2 - SINGLE STAGE, LEFT HAND 4 - TWO-STAGE, LEFT HAND	0 - Ø7.2 (.283) THRU 1 - 1/4-20 THREAD 2 - M6x1 THREAD	1 - PERPENDICULAR 2 - IN-LINE 3 - TWO POINT

- NOTES:
- A. MATERIAL AND FINISH:
 - HOUSING, LEVER, RIVET AND INTERNAL COMPONENTS: STEEL, ZINC PLATED, BRIGHT CHROMATE
 - PAWL AND TRIGGER: HARDENED STEEL, ZINC PLATED, BRIGHT CHROMATE.
 - SPRING: STAINLESS STEEL, PASSIVATED
 - B. THESE DIMENSIONS REQUIRED FOR MOUNTING STRIKER BOLT.
 - C. Ø6.3 (.25) LEVER HOLES USE OPTIONAL CABLE RETAINER R4-0-43922 SOLD SEPARATELY.

THIRD ANGLE PROJECTION	MILLIMETERS [IN]		DESCRIPTION	
	TOLERANCES UNLESS OTHERWISE NOTED		SIZE	SYSTEM
ALL DIMENSIONS WITHOUT TOLERANCES ARE FOR REFERENCE ONLY.		B	NX	J-R4-10-5AL
PER ASME Y14.5M-1994	DRAWN BY	DATE	SCALE	SHEET
	CMG/DGJ	08MAY2014	1:1	1 OF 2

6

5

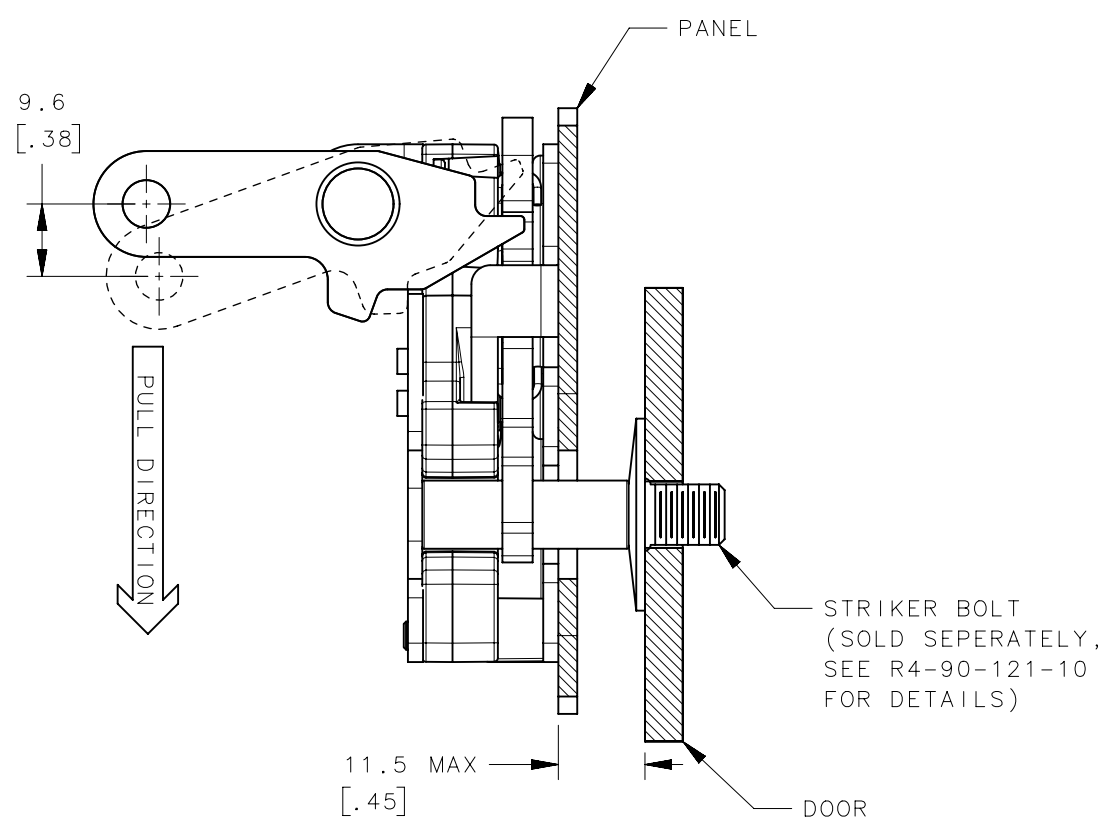
4

3

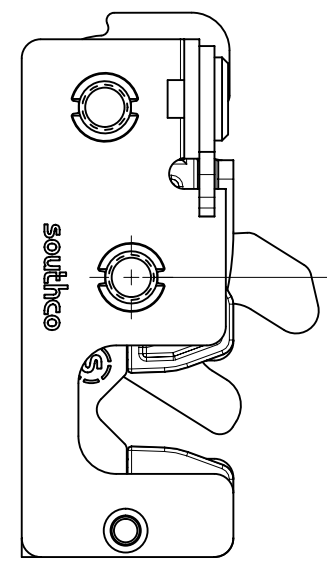
2

1

REVISION HISTORY			
REV	DATE	BY	DESCRIPTION
C	29JUL2021	KSH/HPD	PRN: P2021-1527



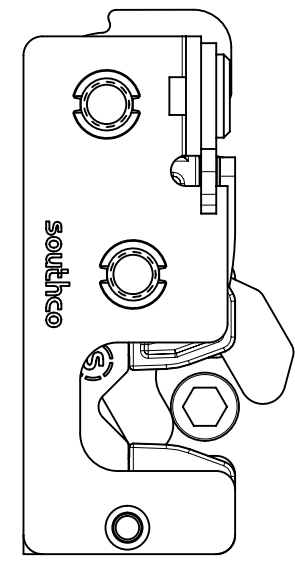
PRIMARY STAGE



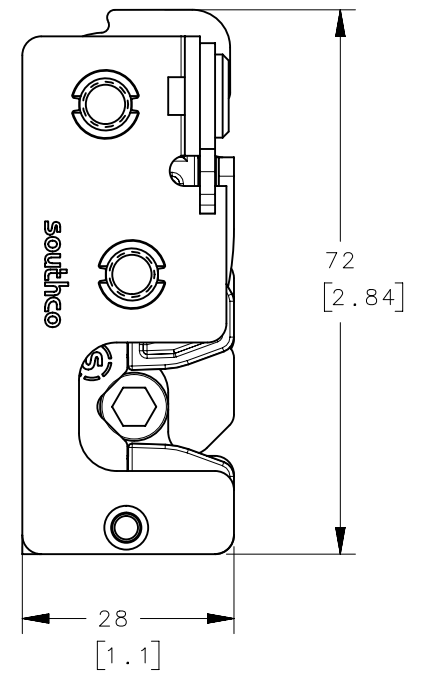
MISALIGNMENT VIEW
(SEE NOTE B)

17.5 ±0.3
[.689 ±.012]

SECONDARY STAGE



LATCHED STAGE



NOTES:

- A. THE TOLERANCE BETWEEN THE LATCH AND STRIKER BOLT ASSUMES A NON-RIGID DOOR INSTALLATION THAT WILL ALLOW THE DOOR TO MOVE INTO THE NOMINAL POSITION DURING LATCHING. RIGID DOORS MUST HAVE THE STRIKER INSTALLED PER THE PANEL PREPARATION RECOMMENDATION.
- B. THE MISALIGNMENT VIEW ASSUMES THE LATCH IS CONNECTED TO A PERFECTLY RIGID DOOR AND HINGE; THEREFORE, THERE IS NO DOOR AND/OR HINGE SLACK ASSOCIATED WITH THESE DIMENSIONS. THE MISALIGNMENT VIEW DOES NOT TAKE FLEXING OF THE STRIKER BOLT INTO ACCOUNT.

R4-10-X0-X05-10	Ø 7.2 THRU	Ø 7.2 [.299]
R4-10-X1-X05-10	1/2-20 THREAD	Ø 6.8 [.268]
R4-10-X2-X05-10	M6X1 THREAD	Ø 6.4 [.252]
PART NUMBER	MOUNTING STYLE	MINIMUM PANEL HOLE

THIRD ANGLE PROJECTION				
MILLIMETERS [IN]				
TOLERANCES UNLESS OTHERWISE NOTED	DESCRIPTION			
ALL DIMENSIONS WITHOUT TOLERANCES ARE FOR REFERENCE ONLY.	R4 MINI ROTARY LATCH LEFT HAND - BSR INSERT			
PROPRIETARY ITEM EXCEPT FOR USES EXPRESSLY GRANTED IN WRITING, INFORMATION DISCLOSED HEREON IS CONFIDENTIAL AND ALL RIGHTS, PATENT AND OTHERWISE, ARE RESERVED BY SOUTHCO, INC.	SIZE B	SYSTEM NX	DWG NO. J-R4-10-5AL	
PER ASME Y14.5M-1994	DRAWN BY CMG/DGJ	DATE 08MAY2014	SCALE 1:1	SHEET 2 OF 2