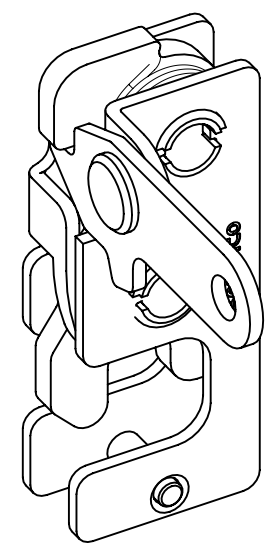
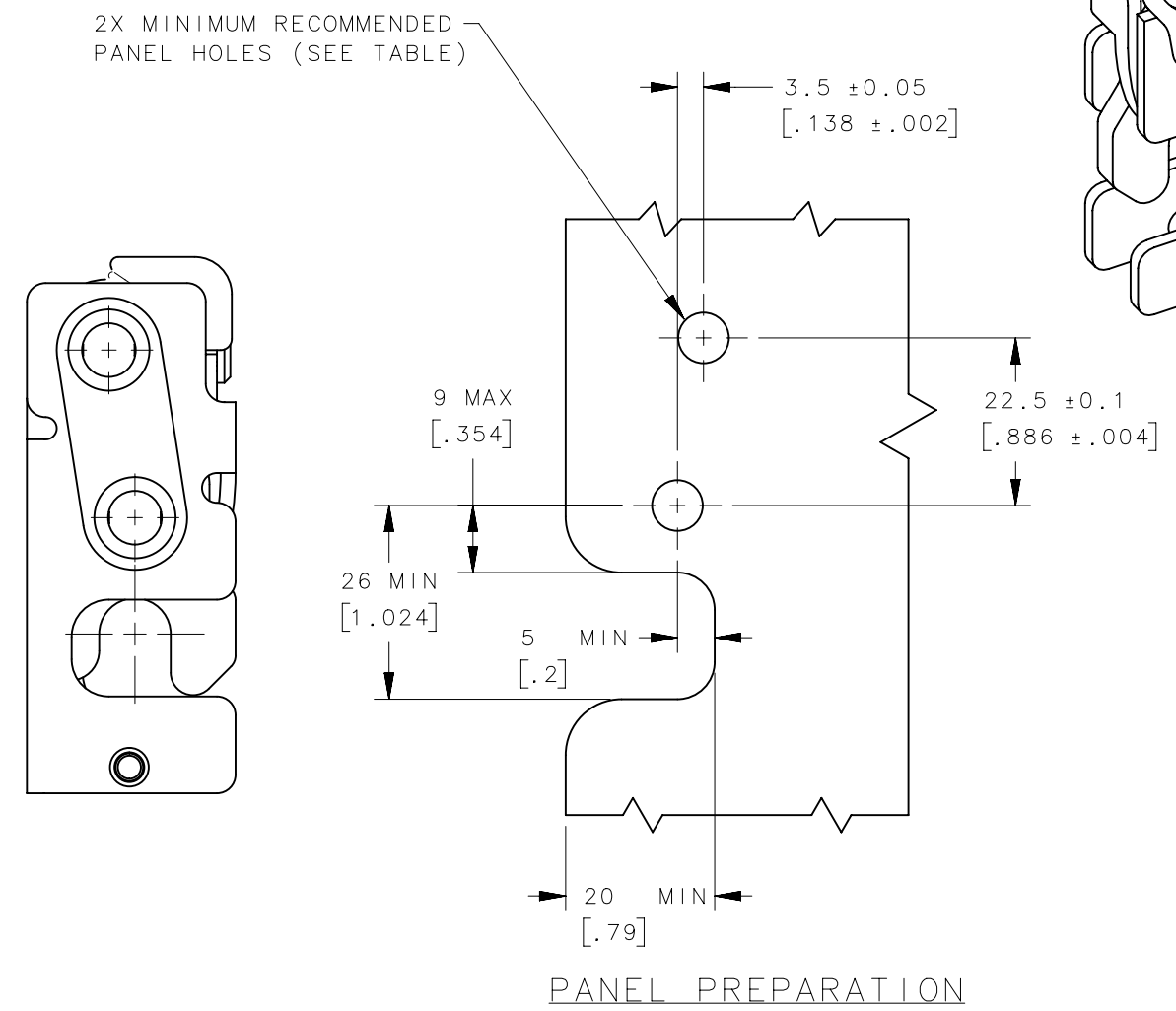
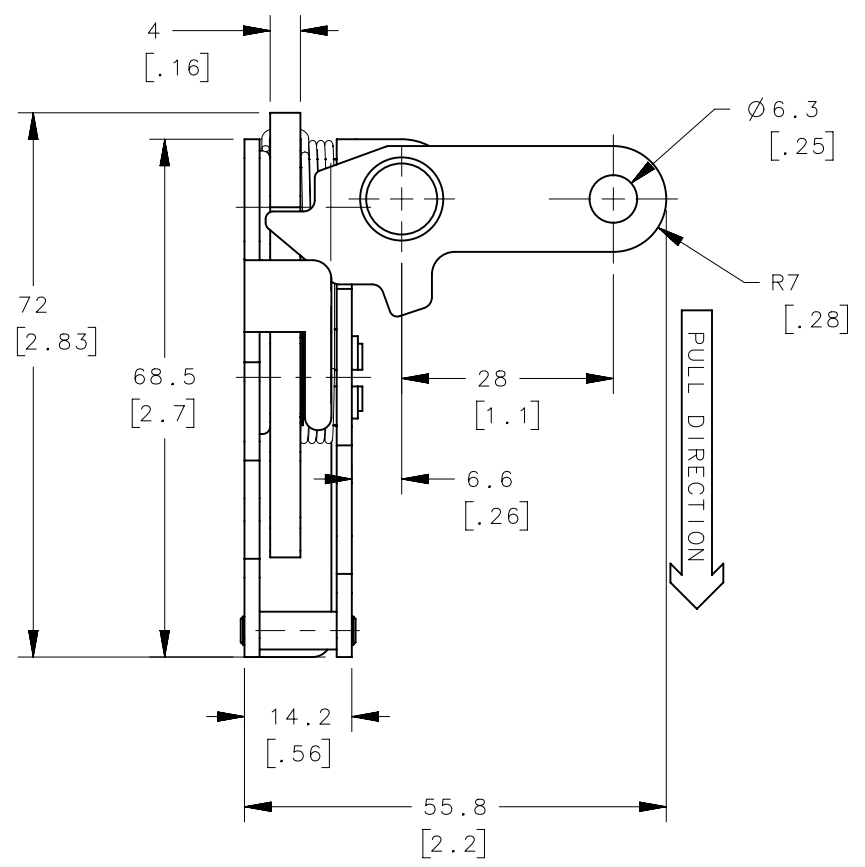
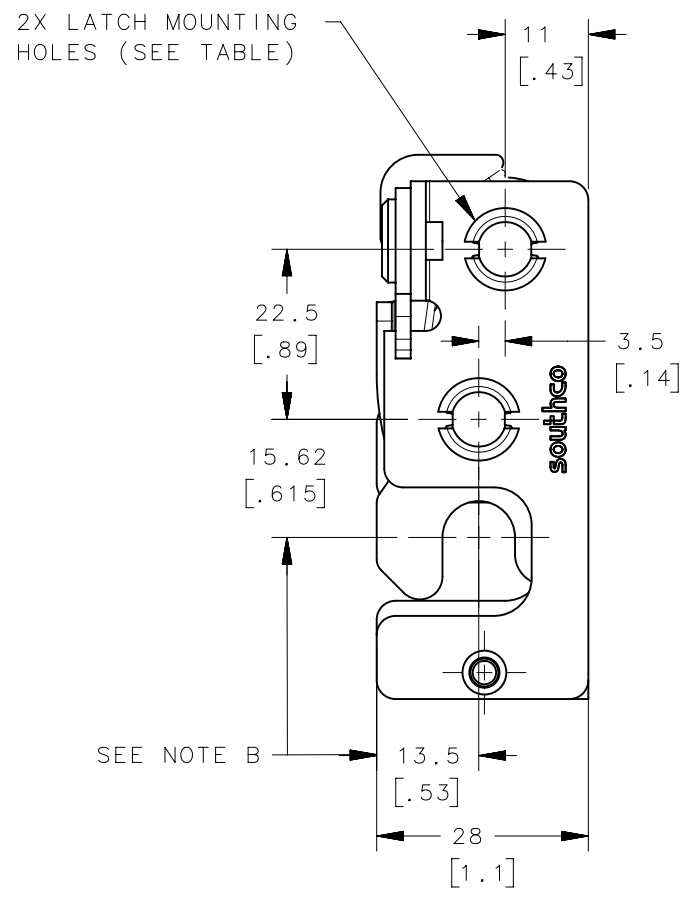


REVISION HISTORY			
REV	DATE	BY	DESCRIPTION
B	10NOV2010	ACH/JCK	PRN: P2011-0543



NOTES:

A. MATERIAL AND FINISH:
 - ALL PARTS STAINLESS STEEL.

B. THESE DIMENSIONS REQUIRED FOR MOUNTING STRIKER BOLT.

R4-10-10-101-20	$\phi 7.2\text{mm}$ THRU	$\phi 7.6$ [.299]	
R4-10-11-101-20	1/4-20 THREAD	$\phi 6.8$ [.268]	
R4-10-12-101-20	M6 THREAD	$\phi 6.4$ [.252]	
ASSEMBLY PART NUMBER	LATCH MOUNTING HOLE	MINIMUM RECOMMENDED PANEL HOLE	GENERAL NOTES
	THIRD ANGLE PROJECTION	 CONNECT • CREATE • INNOVATE	
	MILLIMETERS [IN]		
SURFACE AREA	TOLERANCES UNLESS OTHERWISE NOTED		DESCRIPTION
VOLUME	ALL DIMENSIONS WITHOUT TOLERANCES ARE FOR REFERENCE ONLY.		R4 STAINLESS STEEL MINI ROTARY LATCH PERPENDICULAR - RIGHT HAND
PROPRIETARY ITEM	SIZE	SYSTEM	DWG NO.
EXCEPT FOR USES EXPRESSLY GRANTED IN WRITING, INFORMATION DISCLOSED HEREON IS CONFIDENTIAL AND ALL RIGHTS, PATENT AND OTHERWISE, ARE RESERVED BY SOUTHCO, INC.	B	NX	J-R4-10-10-101-20
	PER ASME Y14.5M-1994	DRAWN BY	DATE
		ACH/JCK	10NOV2010
		SCALE	SHEET
		1:1	1 OF 3

6

5

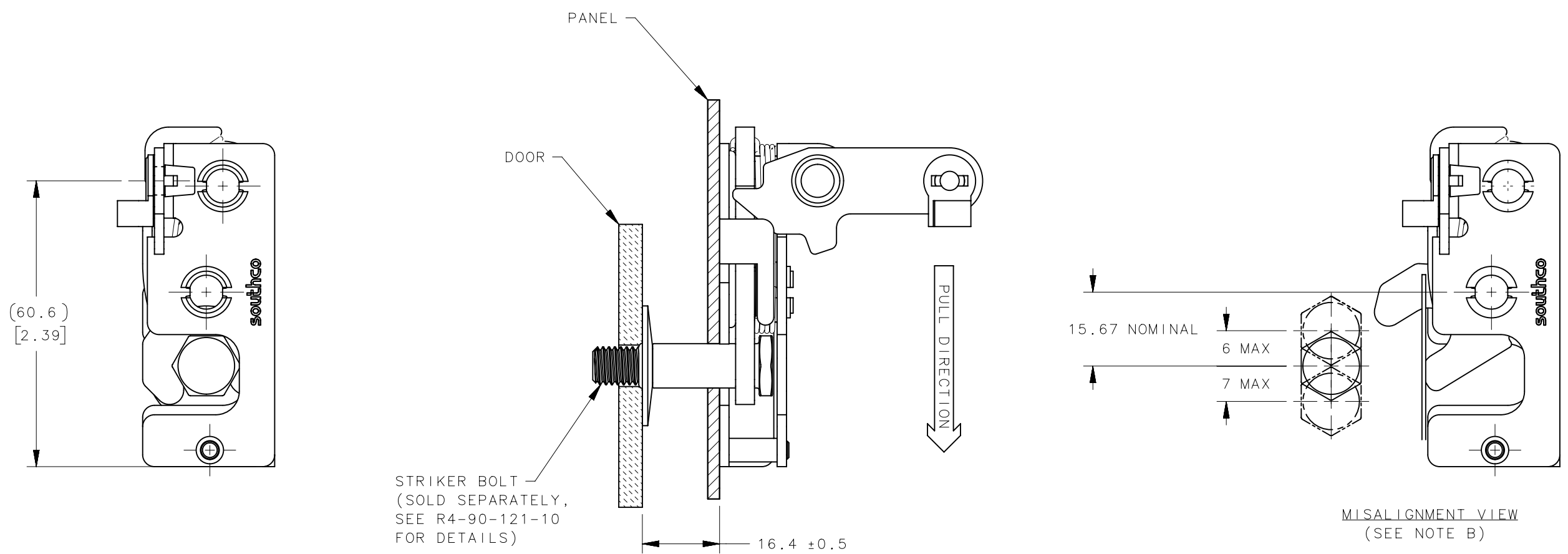
4

3

2

1

REVISION HISTORY			
REV	DATE	BY	DESCRIPTION
B	10NOV2010	ACH/JCK	PRN: P2011-0543



STRIKER BOLT
(SOLD SEPARATELY,
SEE R4-90-121-10
FOR DETAILS)

MISALIGNMENT VIEW
(SEE NOTE B)

NOTES:

- A. THE TOLERANCE BETWEEN THE LATCH AND STRIKER BOLT ASSUMES A NON-RIGID DOOR INSTALLATION THAT WILL ALLOW THE DOOR TO MOVE INTO THE NOMINAL POSITION DURING LATCHING. RIGID DOORS MUST HAVE THE STRIKER INSTALLED PER THE PANEL PREPARATION RECOMMENDATION.
- B. THE MISALIGNMENT VIEW ASSUMES THE LATCH IS CONNECTED TO A PERFECTLY RIGID DOOR AND HINGE; THEREFORE, THERE IS NO DOOR AND/OR HINGE SLACK ASSOCIATED WITH THESE DIMENSIONS. THE MISALIGNMENT VIEW DOES NOT TAKE FLEXING OF THE STRIKER BOLT INTO ACCOUNT.

R4-10-10-101-20	Ø 7.2mm THRU	Ø 7.6 [.299]	
R4-10-11-101-20	1/4-20 THREAD	Ø 6.8 [.268]	
R4-10-12-101-20	M6 THREAD	Ø 6.4 [.252]	
ASSEMBLY PART NUMBER	LATCH MOUNTING HOLE	MINIMUM RECOMMENDED PANEL HOLE	GENERAL NOTES
	THIRD ANGLE PROJECTION		
	MILLIMETERS [IN]		
SURFACE AREA	TOLERANCES UNLESS OTHERWISE NOTED		DESCRIPTION R4 STAINLESS STEEL MINI ROTARY LATCH PERPENDICULAR - RIGHT HAND
VOLUME	ALL DIMENSIONS WITHOUT TOLERANCES ARE FOR REFERENCE ONLY.		
PROPRIETARY ITEM	PER ASME Y14.5M-1994	SIZE B	SYSTEM NX
EXCEPT FOR USES EXPRESSLY GRANTED IN WRITING, INFORMATION DISCLOSED HEREON IS CONFIDENTIAL AND ALL RIGHTS, PATENT AND OTHERWISE, ARE RESERVED BY SOUTHCO, INC.		DWG NO. J-R4-10-10-101-20	DATE 10NOV2010
		DRAWN BY ACH/JCK	SCALE 1:1
			SHEET 2 OF 3

6

5

4

3

2

1

6

5

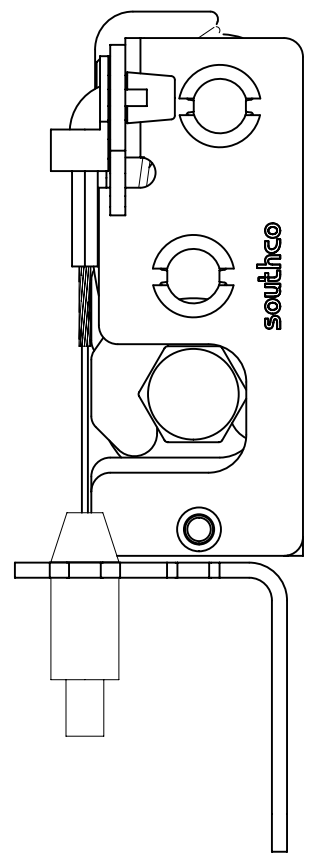
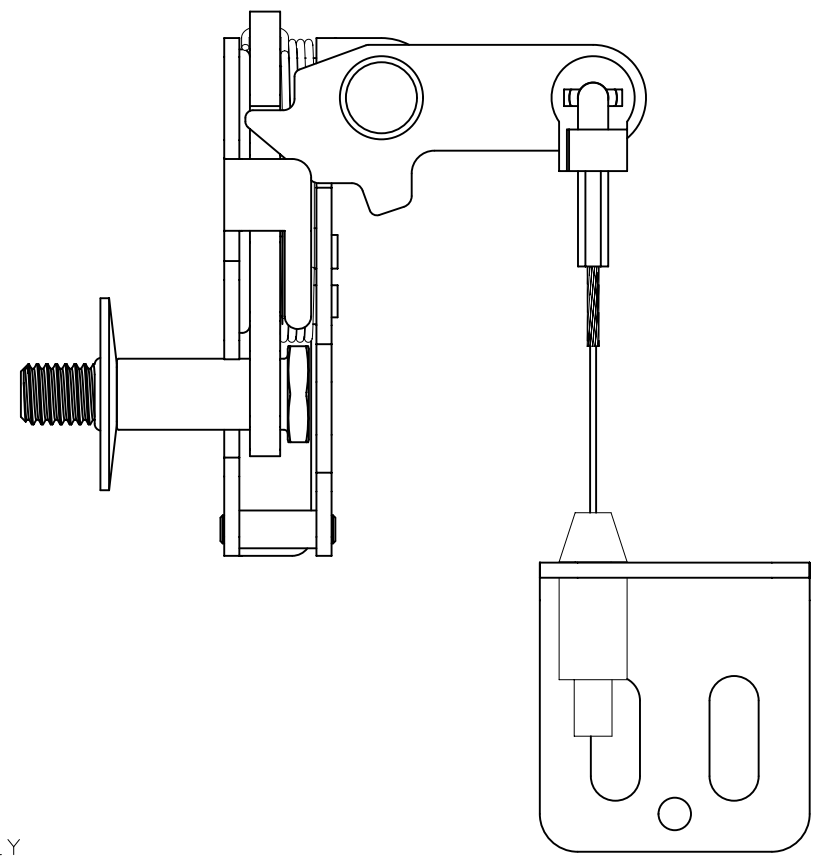
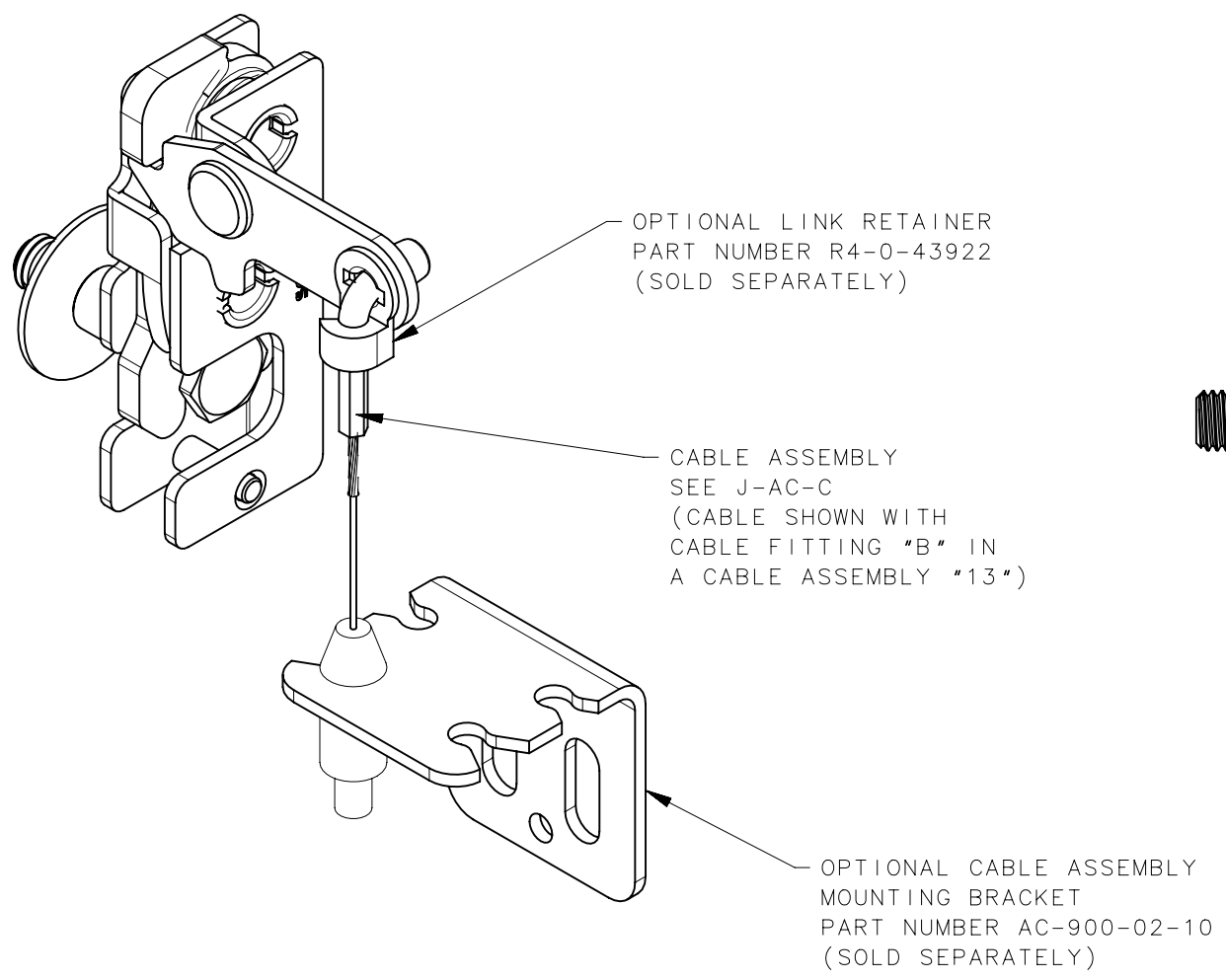
4

3

2

1

REVISION HISTORY			
REV	DATE	BY	DESCRIPTION
B	10OCT2011	ACH/RJB	PRN: P2011-0543



R4-10-10-101-20	Ø 7.2mm THRU	Ø 7.6 [.299]	
R4-10-11-101-20	1/4-20 THREAD	Ø 6.8 [.268]	
R4-10-12-101-20	M6 THREAD	Ø 6.4 [.252]	
ASSEMBLY PART NUMBER	LATCH MOUNTING HOLE	MINIMUM RECOMMENDED PANEL HOLE	GENERAL NOTES
	THIRD ANGLE PROJECTION		
	MILLIMETERS [IN]		
SURFACE AREA	mm ²	southco CONNECT • CREATE • INNOVATE	
VOLUME	mm ³		
PROPRIETARY ITEM	<small>EXCEPT FOR USES EXPRESSLY GRANTED IN WRITING, INFORMATION DISCLOSED HEREON IS CONFIDENTIAL AND ALL RIGHTS, PATENT AND OTHERWISE, ARE RESERVED BY SOUTHCO, INC.</small>		
PER ASME Y14.5M-1994		DESCRIPTION	R4-10 MINI ROTARY LATCH WITH PERPENDICULAR - RIGHT HAND
		SIZE	B
		SYSTEM	NX
		DWG NO.	J-R4-10-10-101-20
		DRAWN BY	ACH/JCK
		DATE	07DEC2010
		SCALE	1:1
		SHEET	3 OF 3

6

5

4

3

2

1