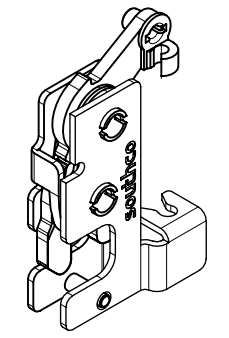


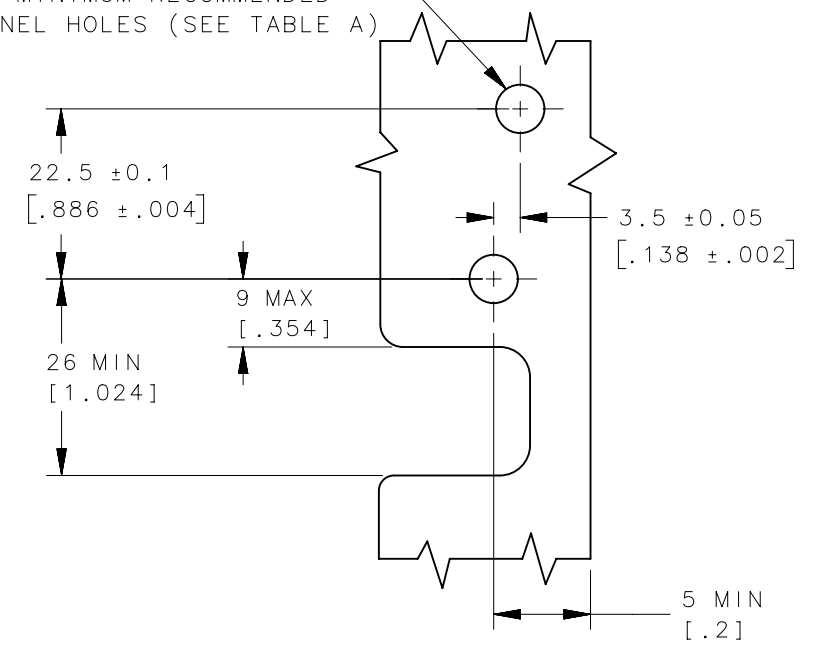
REVISION HISTORY			
REV	DATE	BY	DESCRIPTION
F	04DEC2017	ACH/DGJ	PRN: P2017-1783



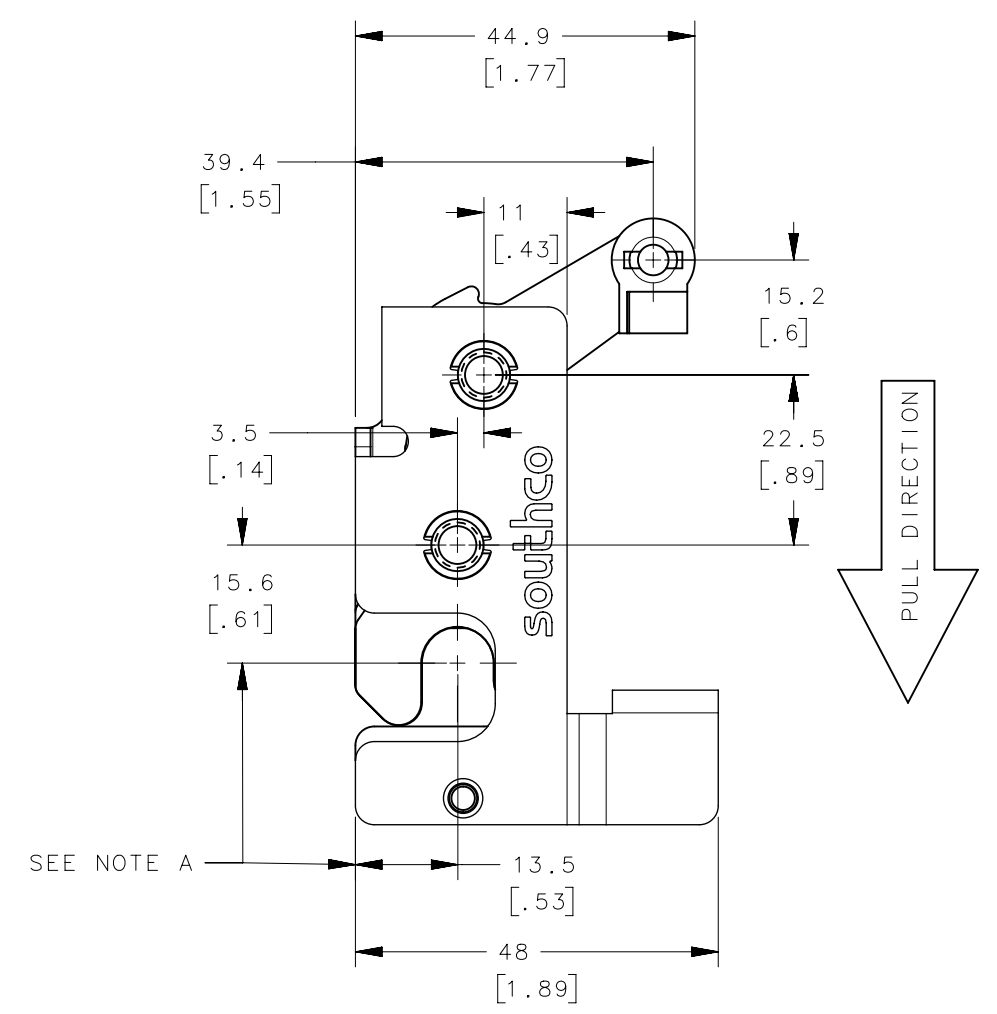
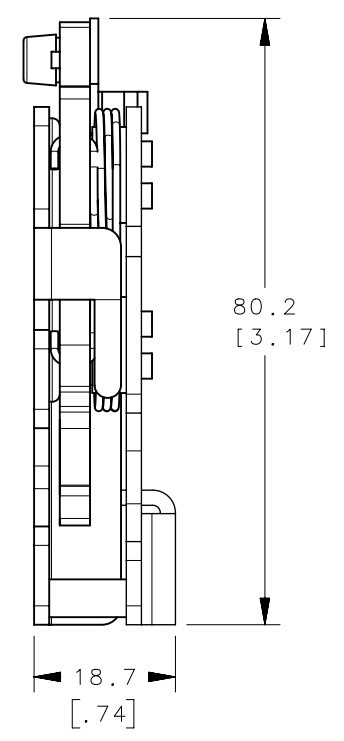
ISOMETRIC VIEW
SCALE 1:2

PANEL PREPARATION

2X MINIMUM RECOMMENDED
PANEL HOLES (SEE TABLE A)



- A. MATERIAL AND FINISH:
- HOUSING, LEVER AND INTERNAL COMPONENTS:
MATERIAL - STEEL
-10 ZINC PLATED, BRIGHT CHROMATE
-77 ZINC NICKEL, BRIGHT CHROMATE
 - PAWL AND TRIGGER:
MATERIAL - HARDENED STEEL
-10 ZINC PLATED, BRIGHT CHROMATE
-77 ZINC NICKEL, BRIGHT CHROMATE
 - SPRING: STAINLESS STEEL, PASSIVATED
- B. THESE DIMENSIONS REQUIRED FOR MOUNTING STRIKER BOLT.



ASSEMBLY PART No.

R4-10-□□-502-□□

STAGE & ACTUATION

- 1- SINGLE STAGE, RIGHT HAND
- 3- DUAL STAGE, RIGHT HAND

MOUNTING STYLE

- 0- Ø 7.2 THRU
- 1- 1/4-20 THREAD
- 2- M6x1 THREAD

MATERIAL / FINISH

- 10- LOW CARBON STEEL, ZINC PLATE CHROMATE
- 77-LOW CARBON STEEL, ZINC NICKEL PLATED

TABLE A	
MOUNTING STYLE	MINIMUM RECOMMENDED PANEL HOLE
Ø 7.2 THRU	Ø 7.6 [.299]
1/4-20 THREAD	Ø 6.8 [.268]
M6x1 THREAD	Ø 6.4 [.252]

	THIRD ANGLE PROJECTION
	MILLIMETERS [IN]
SURFACE AREA	mm ²
VOLUME	mm ³
PROPRIETARY ITEM	
EXCEPT FOR USES EXPRESSLY GRANTED IN WRITING, INFORMATION DISCLOSED HEREON IS CONFIDENTIAL AND ALL RIGHTS, PATENT AND OTHERWISE, ARE RESERVED BY SOUTHCO, INC.	
PER ASME Y14.5M-1994	

southco CONNECT · CREATE · INNOVATE			
DESCRIPTION R4-10 MINI ROTARY LATCH WITH INTEGRATED BRACKET - RIGHT HAND			
SIZE B	SYSTEM NX	DWG NO. J-R4-10-10-502	
DRAWN BY CMG/DGJ	DATE 22JUN2015	SCALE 1:1	SHEET 1 OF 2

6

5

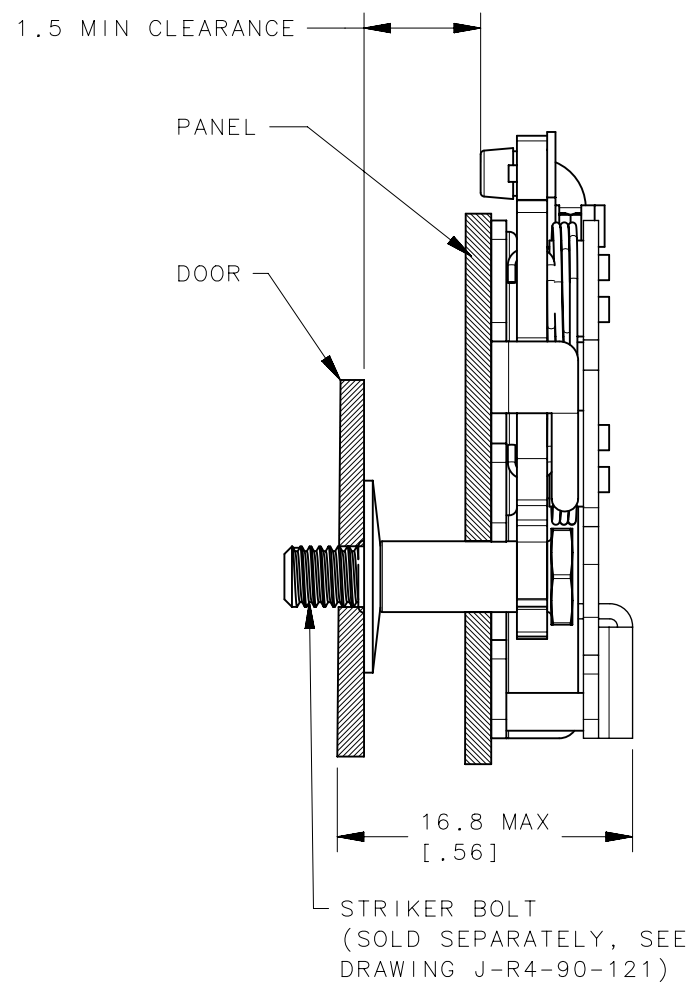
4

3

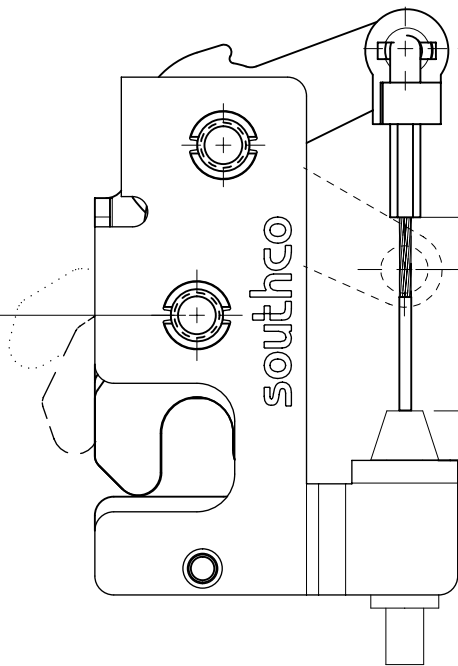
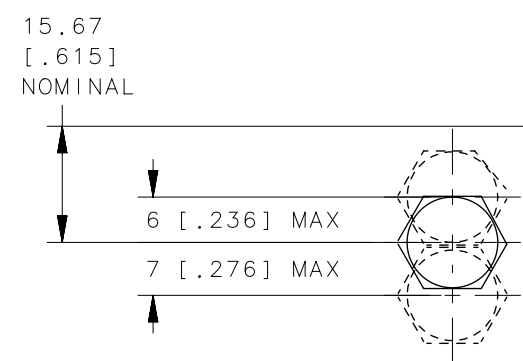
2

1

REVISION HISTORY			
REV	DATE	BY	DESCRIPTION
F	04DEC2014	ACH/DGJ	PRN: P2017-1783



MISALIGNMENT VIEW
(SEE NOTE B)



AMOUNT OF TRIGGER TRAVEL
6.4 MIN
[.25]
27 MAX
[1.06]

TLC = 29 FOR CABLE ASSEMBLIES TYPE 3 AND 7 (SOLD SEPARATELY, SEE DRAWING J-AC-C)

- FULLY LATCHED POSITION
- - - - - SECONDARY LATCHED POSITION
- UNLATCHED POSITION

NOTES:

- A. THE TOLERANCE BETWEEN THE LATCH AND STRIKER BOLT ASSUMES A NON-RIGID DOOR INSTALLATION THAT WILL ALLOW THE DOOR TO MOVE INTO THE NOMINAL POSITION DURING LATCHING. RIGID DOORS MUST HAVE THE STRIKER INSTALLED PER THE PANEL PREPARATION RECOMMENDATION.
- B. THE MISALIGNMENT VIEW ASSUMES THE LATCH IS CONNECTED TO A PERFECTLY RIGID DOOR AND HINGE; THEREFORE, THERE IS NO DOOR AND/OR HINGE SLACK ASSOCIATED WITH THESE DIMENSIONS. THE MISALIGNMENT VIEW DOES NOT TAKE FLEXING OF THE STRIKER BOLT INTO ACCOUNT.

THIRD ANGLE PROJECTION		southco CONNECT • CREATE • INNOVATE	
MILLIMETERS [IN]			
SURFACE AREA		DESCRIPTION	
VOLUME		R4-10 MINI ROTARY LATCH WITH INTEGRATED BRACKET - RIGHT HAND	
PROPRIETARY ITEM <small>EXCEPT FOR USES EXPRESSLY GRANTED IN WRITING, INFORMATION DISCLOSED HEREON IS CONFIDENTIAL AND ALL RIGHTS, PATENT AND OTHERWISE, ARE RESERVED BY SOUTHCO, INC.</small>		SIZE B	SYSTEM NX
PER ASME Y14.5M-1994		DWG NO. J-R4-10-10-502	SCALE 1:1
		DRAWN BY CMG/DGJ	DATE 23JUN2015
		SHEET 2 OF 2	

6

5

4

3

2

1