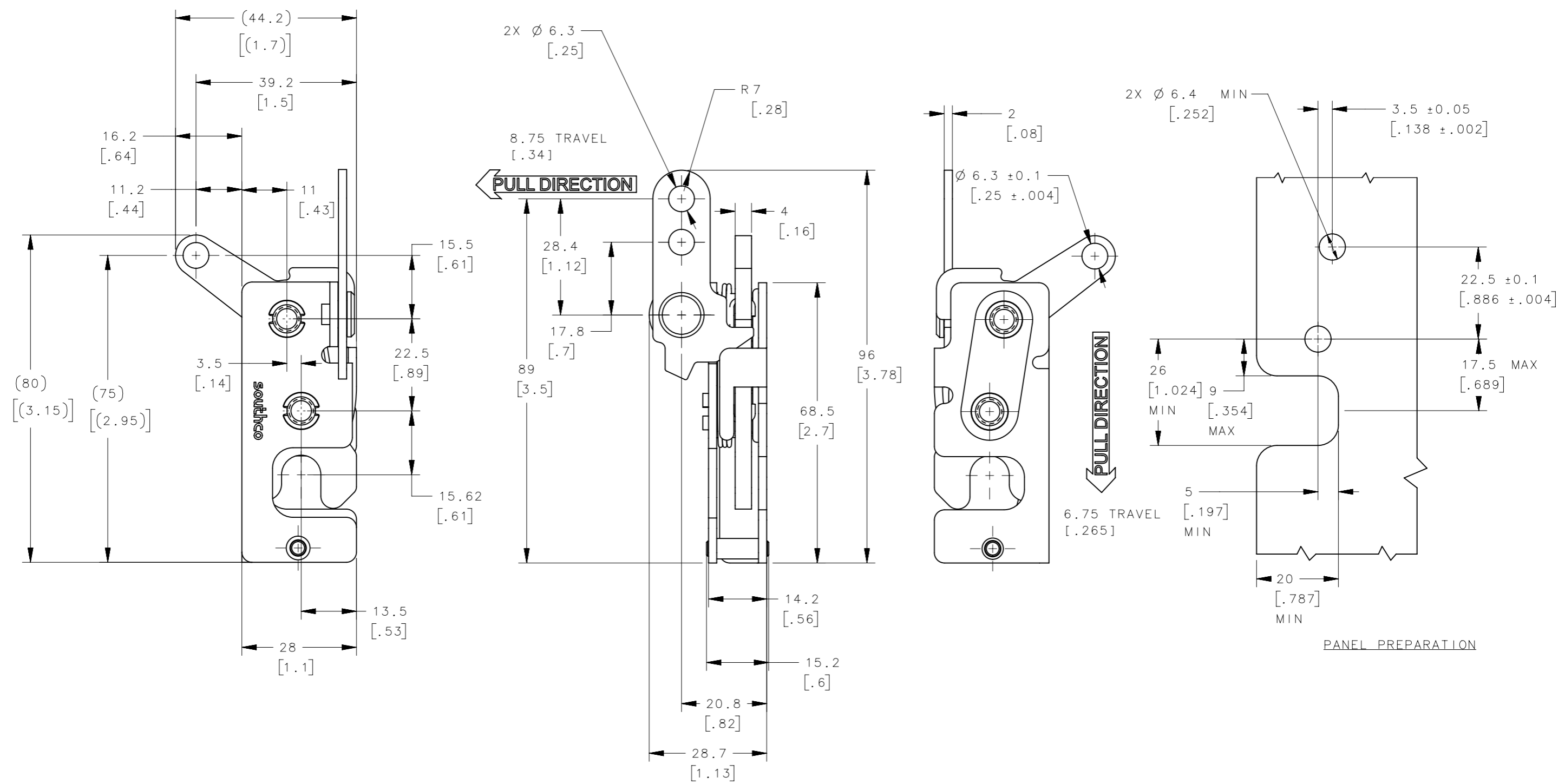


REVISION HISTORY			
REV	DATE	BY	DESCRIPTION
B	20JAN2015	JGG/ACH	PRN: P2015-0142



NOTES:

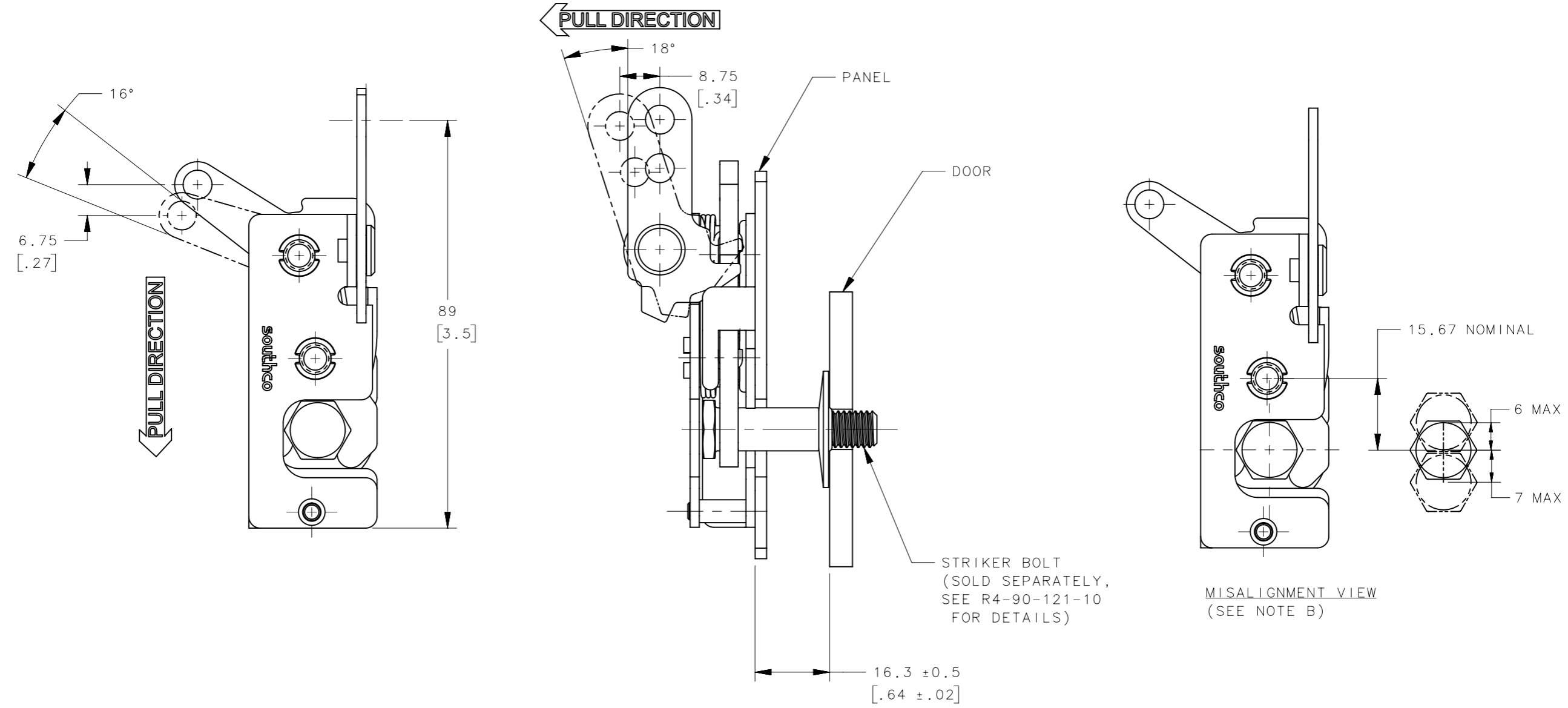
A. MATERIAL AND FINISH:

- HOUSING, LEVERS, AND INTERNAL COMPONENTS:
STEEL, ZINC PLATED, BRIGHT CHROMATE
- PAWL AND TRIGGER: HARDENED STEEL,
ZINC PLATED, BRIGHT CHROMATE.
- SPRING: STAINLESS STEEL, PASSIVATED

B. THESE DIMENSIONS ARE REQUIRED FOR MOUNTING STRIKER BOLT.

R4-10-20-701-10	Ø7.2mm THRU	Ø7.6 [.299]
R4-10-21-701-10	1/4-20 THREAD	Ø6.8 [.268]
R4-10-22-701-10	M6 THREAD	Ø6.4 [.252]
ASSEMBLY PART NUMBER	LATCH MOUNTING HOLE	MINIMUM RECOMMENDED PANEL HOLE
	THIRD ANGLE PROJECTION	southco [®] CONNECT • CREATE • INNOVATE
	MILLIMETERS [IN]	
SURFACE AREA	TOLERANCES UNLESS OTHERWISE NOTED	DESCRIPTION R4 MINI ROTARY LATCH, LEFT HAND BOTTOM PULL WITH SECONDARY TRIGGER
VOLUME	ALL DIMENSIONS WITHOUT TOLERANCES ARE FOR REFERENCE ONLY.	SIZE SYSTEM A3 NX
PROPRIETARY ITEM	PER ASME Y14.5M-1994	DWG NO. J-R4-10-20-701-10
EXCEPT FOR USES EXPRESSLY GRANTED IN WRITING, INFORMATION DISCLOSED HEREON IS CONFIDENTIAL AND ALL RIGHTS, PATENT AND OTHERWISE, ARE RESERVED BY SOUTHCO, INC.	DRAWN BY JGG/ACH	DATE 15JAN2015
		SCALE 1:1
		SHEET 1 OF 3

REVISION HISTORY			
REV	DATE	BY	DESCRIPTION
B	20JAN2015	JGG/ACH	PRN: P2015-0142



NOTES:

- A. THE TOLERANCE BETWEEN THE LATCH AND THE STRIKER BOLT ASSUMES A NON-RIGID DOOR INSTALLTION THAT WILL ALLOW THE DOOR TO MOVE INTO THE NOMINAL POSITION DURING LATCHING, RIGID DOORS MUST HAVE THE STRIKER INSTALLED PER THE PANEL PREPARTION RECOMMENDATION.
- B. THE MISALIGNMENT VIEW ASSUMES THE LATCH IS CONNECTED TO A PERFECTLY RIGID DOOR AND HINGE; THEREFORE, THERE IS NO DOOR AND/OR HINGE SLACK ASSOCIATED WITH THESE DIMENSIONS. THE MISALIGNMENT VIEW DOES NOT TAKE FLEXING OF THE STRIKER BOLT INTO ACCOUNT.

R4-10-20-701-10	Ø7.2mm THRU	Ø7.6 [.299]
R4-10-21-701-10	1/4-20 THREAD	Ø6.8 [.268]
R4-10-22-701-10	M6 THREAD	Ø6.4 [.252]
ASSEMBLY PART NUMBER	LATCH MOUNTING HOLE	MINIMUM RECOMMENDED PANEL HOLE
	THIRD ANGLE PROJECTION	southco [®] CONNECT • CREATE • INNOVATE
	MILLIMETERS [IN]	
SURFACE AREA	TOLERANCES UNLESS OTHERWISE NOTED	DESCRIPTION R4 MINI ROTARY LATCH, LEFT HAND BOTTOM PULL WITH SECONDARY TRIGGER
VOLUME	ALL DIMENSIONS WITHOUT TOLERANCES ARE FOR REFERENCE ONLY.	
PROPRIETARY ITEM <small>EXCEPT FOR USES EXPRESSLY GRANTED IN WRITING, INFORMATION DISCLOSED HEREON IS CONFIDENTIAL AND ALL RIGHTS, PATENT AND OTHERWISE, ARE RESERVED BY SOUTHCO, INC.</small>	PER ASME Y14.5M-1994	SIZE SYSTEM A3 NX
	DRAWN BY JGG/ACH	DATE 15JAN2015
		SCALE 1:1
		SHEET 2 OF 3

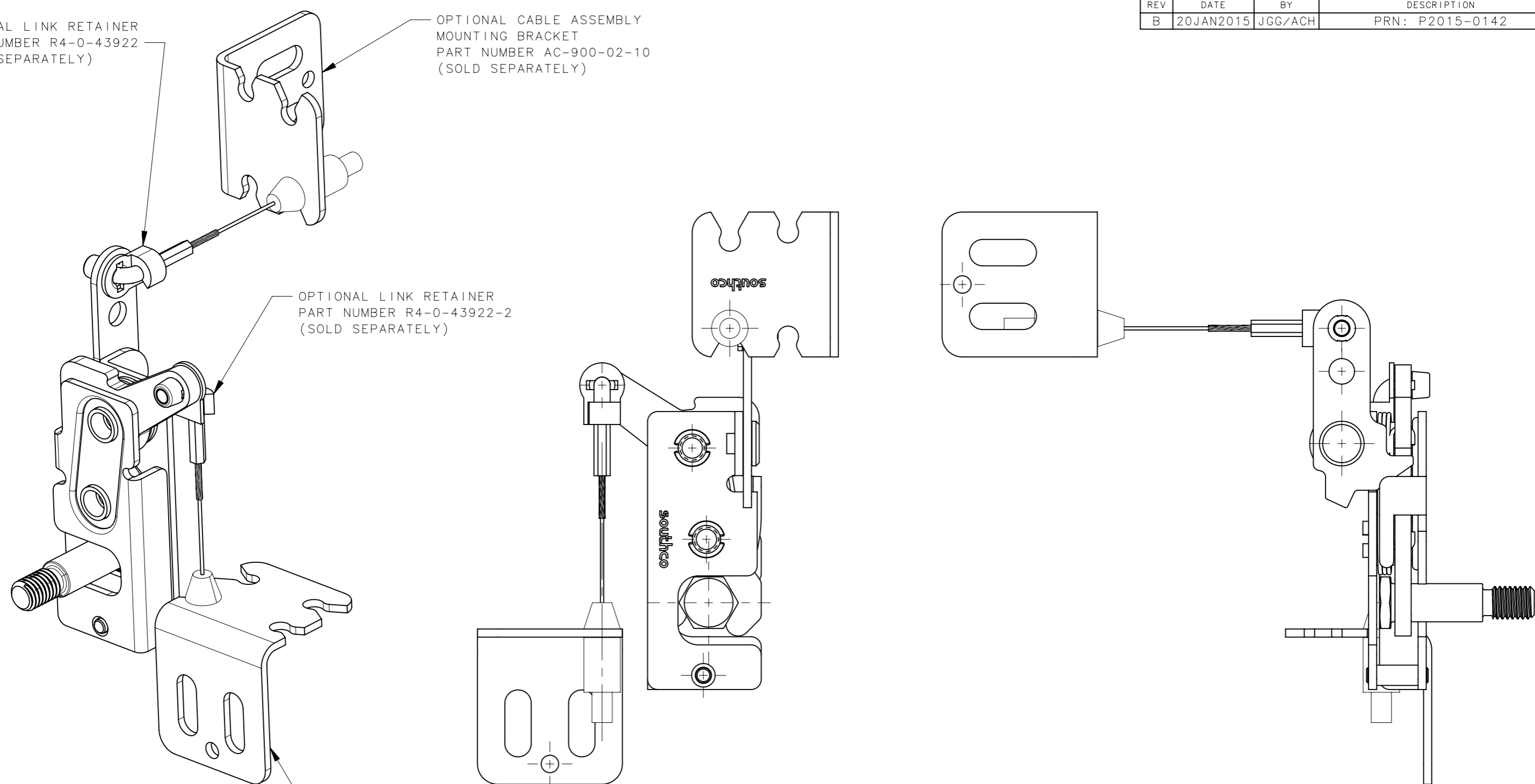
REVISION HISTORY			
REV	DATE	BY	DESCRIPTION
B	20JAN2015	JGG/ACH	PRN: P2015-0142

OPTIONAL LINK RETAINER
PART NUMBER R4-0-43922
(SOLD SEPARATELY)

OPTIONAL CABLE ASSEMBLY
MOUNTING BRACKET
PART NUMBER AC-900-02-10
(SOLD SEPARATELY)

OPTIONAL LINK RETAINER
PART NUMBER R4-0-43922-2
(SOLD SEPARATELY)

OPTIONAL CABLE ASSEMBLY
MOUNTING BRACKET
PART NUMBER AC-900-02-10
(SOLD SEPARATELY)



R4-10-20-701-10	Ø7.2mm THRU	Ø7.6 [.299]
R4-10-21-701-10	1/4-20 THREAD	Ø6.8 [.268]
R4-10-22-701-10	M6 THREAD	Ø6.4 [.252]
ASSEMBLY PART NUMBER	LATCH MOUNTING HOLE	MINIMUM RECOMMENDED PANEL HOLE
	THIRD ANGLE PROJECTION	southco [®] CONNECT • CREATE • INNOVATE
	MILLIMETERS [IN]	
SURFACE AREA	TOLERANCES UNLESS OTHERWISE NOTED	DESCRIPTION R4 MINI ROTARY LATCH, LEFT HAND BOTTOM PULL WITH SECONDARY TRIGGER
VOLUME	ALL DIMENSIONS WITHOUT TOLERANCES ARE FOR REFERENCE ONLY.	
PROPRIETARY ITEM	PER ASME Y14.5M-1994	SIZE A3
EXCEPT FOR USES EXPRESSLY GRANTED IN WRITING, INFORMATION DISCLOSED HEREON IS CONFIDENTIAL AND ALL RIGHTS, PATENT AND OTHERWISE, ARE RESERVED BY SOUTHCO, INC.		SYSTEM NX
		DWG NO. J-R4-10-20-701-10
		DRAWN BY JGG/ACH
		DATE 15JAN2015
		SCALE 1:1
		SHEET 3 OF 3