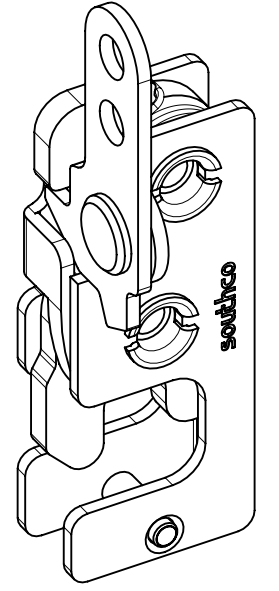
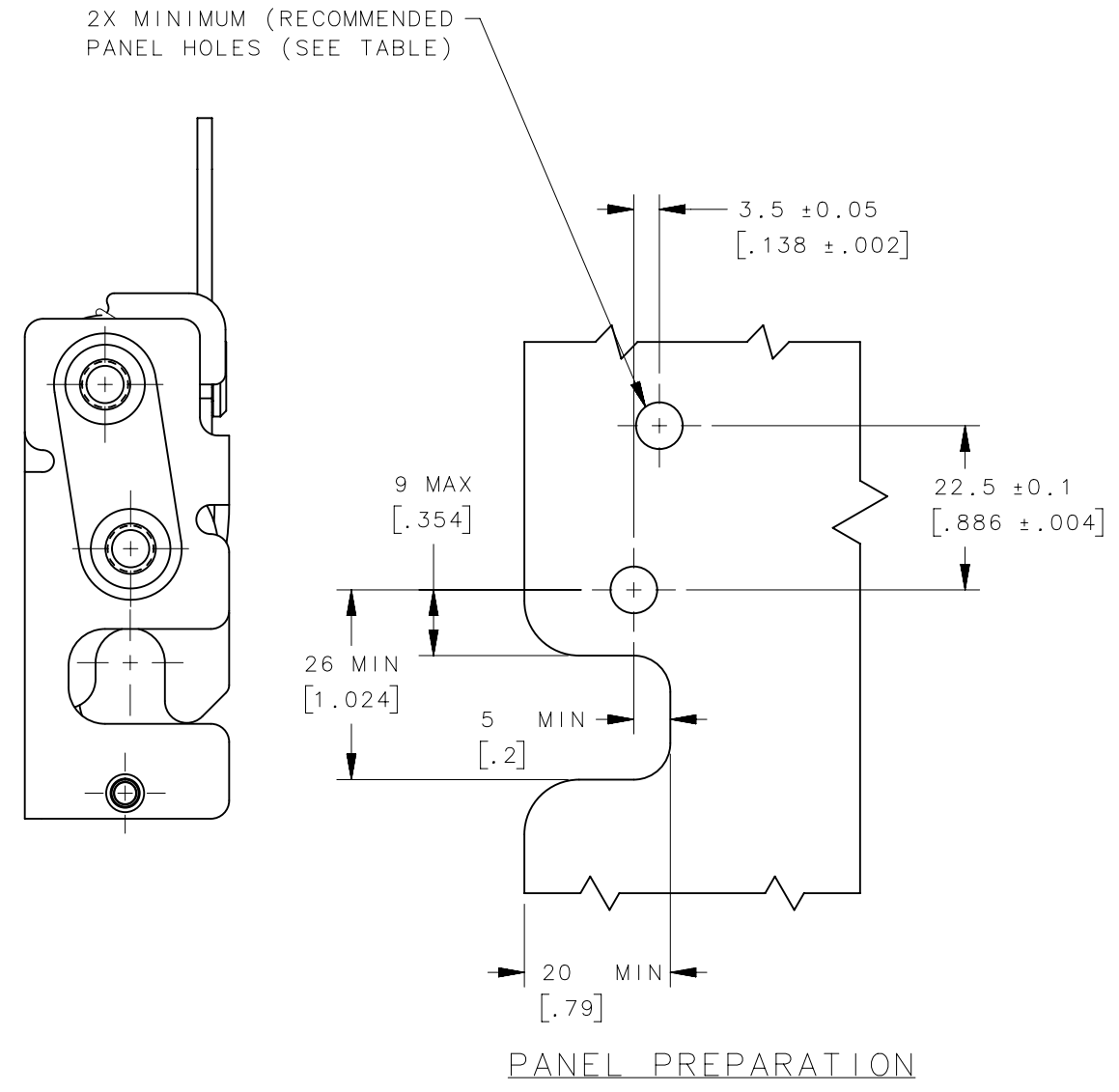
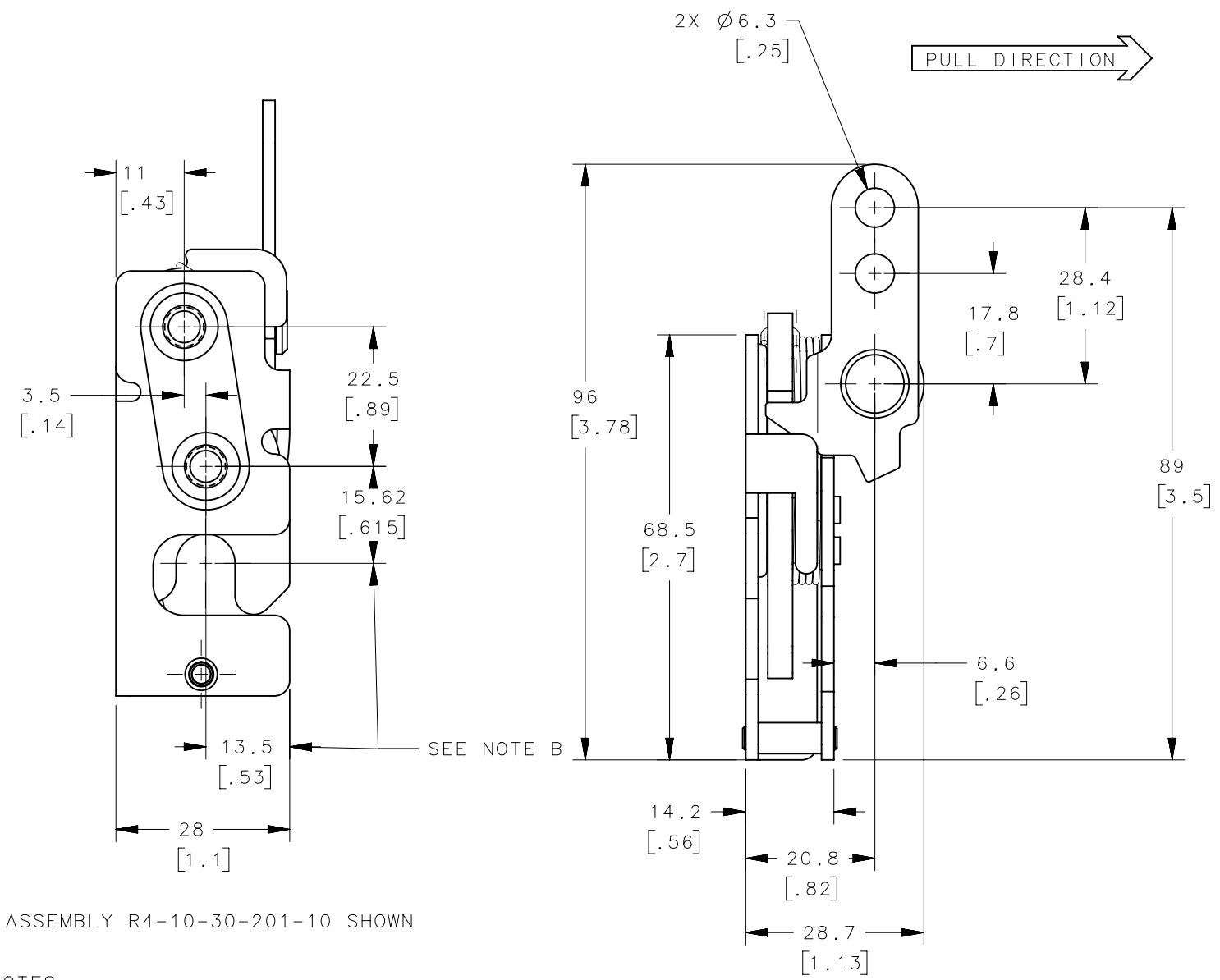


REVISION HISTORY			
REV	DATE	BY	DESCRIPTION
C	27JUL2021	KSH/HPD	PRN: P2021-1536



ASSEMBLY R4-10-30-201-10 SHOWN

NOTES:

A. MATERIAL AND FINISH:

- HOUSING, LEVER AND INTERNAL COMPONENTS:  
MATERIAL - STEEL  
-10 ZINC PLATED, BRIGHT CHROMATE  
-77 ZINC NICKEL, BRIGHT CHROMATE
- PAWL AND TRIGGER:  
MATERIAL - HARDENED STEEL  
-10 ZINC PLATED, BRIGHT CHROMATE  
-77 ZINC NICKEL, BRIGHT CHROMATE  
ZINC PLATE CHROMATE.
- SPRING: STAINLESS STEEL, PASSIVATED

B. THESE DIMENSIONS REQUIRED FOR MOUNTING STRIKER BOLT.

C. Ø6.3 (.25) LEVER HOLES USE OPTIONAL CABLE RETAINER R4-0-43922 SOLD SEPARATELY.

R4-10-30-201-77	Ø 7.2mm THRU	SEE NOTE A	SEE NOTE A
R4-10-31-201-77	1/4-20 THREAD		
R4-10-32-201-77	M6 THREAD		
R4-10-30-201-10	Ø 7.2mm THRU		
R4-10-31-201-10	1/4-20 THREAD		
R4-10-32-201-10	M6 THREAD		
ASSEMBLY PART NUMBER	LATCH MOUNTING HOLE	MATERIAL	FINISH

THIRD ANGLE PROJECTION				
MILLIMETERS [IN]				
SURFACE AREA	TOLERANCES UNLESS OTHERWISE NOTED		DESCRIPTION	
VOLUME	ALL DIMENSIONS WITHOUT TOLERANCES ARE FOR REFERENCE ONLY.		R4 MINI TWO STAGE ROTARY LATCH INLINE - RIGHT HAND	
PROPRIETARY ITEM	SIZE	SYSTEM	DWG NO.	
EXCEPT FOR USES EXPRESSLY GRANTED IN WRITING, INFORMATION DISCLOSED HEREON IS CONFIDENTIAL AND ALL RIGHTS, PATENT AND OTHERWISE, ARE RESERVED BY SOUTHCO, INC.	B	NX	J-R4-10-30-201	
	PER ASME Y14.5M-1994	DRAWN BY	DATE	SCALE
		DJK	26APR2012	1:1
				SHEET 1 OF 2

6

5

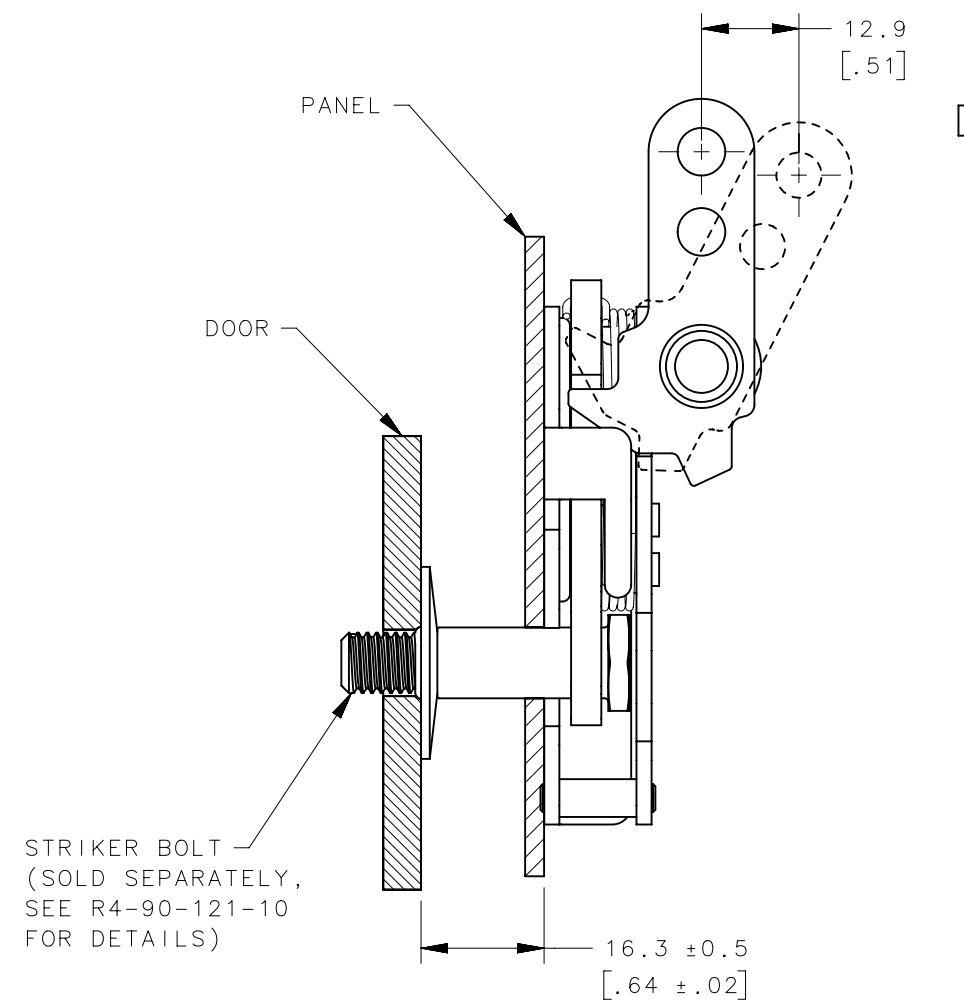
4

3

2

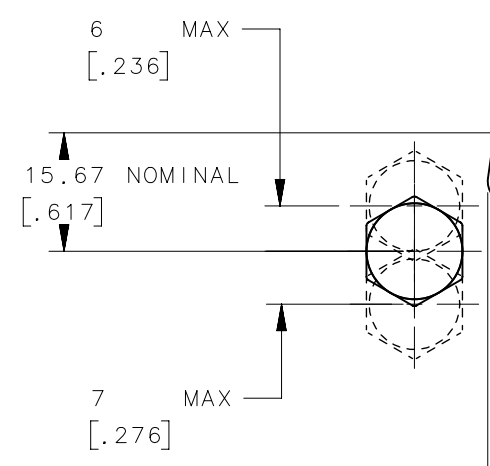
1

REVISION HISTORY			
REV	DATE	BY	DESCRIPTION
C	27JUL2021	KSH/HPD	PRN: P2021-1536

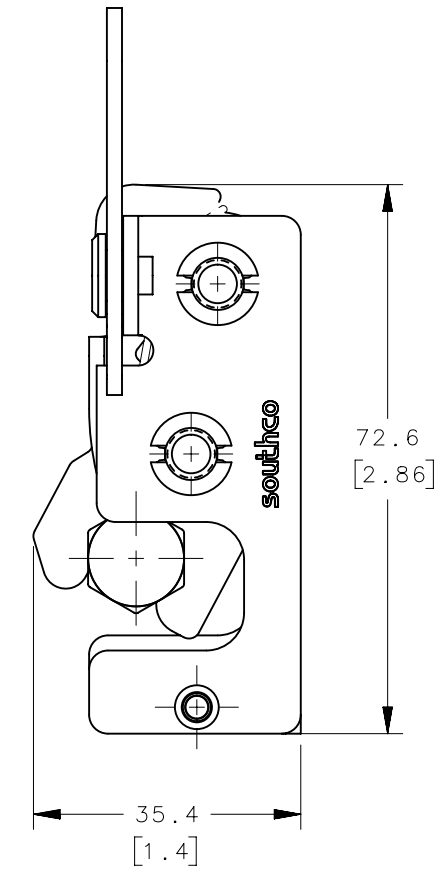
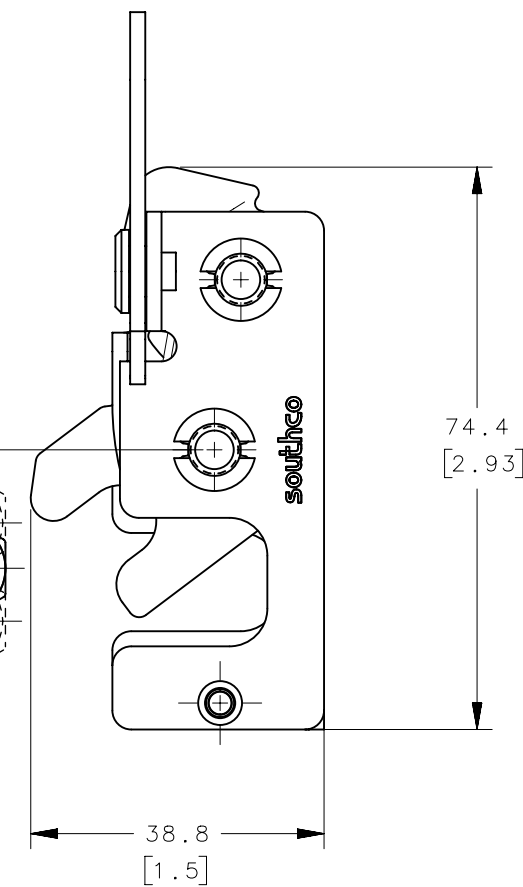


ASSEMBLY R4-10-30-201-10 SHOWN

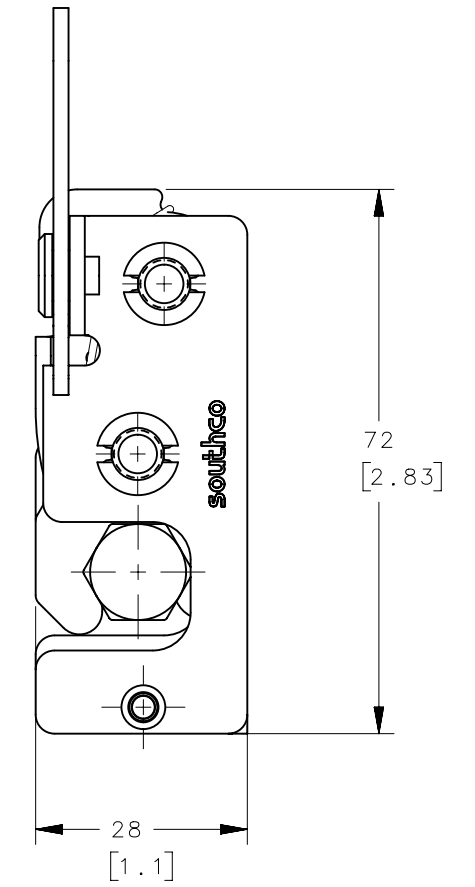
PULL DIRECTION →



MISALIGNMENT VIEW  
SEE NOTE B  
PRIMARY VIEW



SECONDARY VIEW



LATCHED STAGE

- NOTES:
- A. THE TOLERANCE BETWEEN THE LATCH AND STRIKER BOLT ASSUMES A NON-RIGID DOOR INSTALLATION THAT WILL ALLOW THE DOOR TO MOVE INTO THE NOMINAL POSITION DURING LATCHING. RIGID DOORS MUST HAVE THE STRIKER INSTALLED PER THE PANEL PREPARATION RECOMMENDATION.
  - B. THE MISALIGNMENT VIEW ASSUMES THE LATCH IS CONNECTED TO A PERFECTLY RIGID DOOR AND HINGE; THEREFORE, THERE IS NO DOOR AND/OR HINGE SLACK ASSOCIATED WITH THESE DIMENSIONS. THE MISALIGNMENT VIEW DOES NOT TAKE FLEXING OF THE STRIKER BOLT INTO ACCOUNT.

R4-10-30-201-77	∅ 7.2mm THRU	∅ 7.6 [.299]
R4-10-31-201-77	1/4-20 THREAD	∅ 6.8 [.268]
R4-10-32-201-77	M6 THREAD	∅ 6.4 [.252]
R4-10-30-201-10	∅ 7.2mm THRU	∅ 7.6 [.299]
R4-10-31-201-10	1/4-20 THREAD	∅ 6.8 [.268]
R4-10-32-201-10	M6 THREAD	∅ 6.4 [.252]
ASSEMBLY PART NUMBER	LATCH MOUNTING HOLE	MINIMUM RECOMMENDED PANEL HOLE

THIRD ANGLE PROJECTION				<b>southco</b> <sup>®</sup> CONNECT • CREATE • INNOVATE	
MILLIMETERS [IN]					
SURFACE AREA		TOLERANCES UNLESS OTHERWISE NOTED ALL DIMENSIONS WITHOUT TOLERANCES ARE FOR REFERENCE ONLY.		DESCRIPTION	
VOLUME				R4 MINI TWO STAGE ROTARY LATCH INLINE - RIGHT HAND	
PROPRIETARY ITEM <small>EXCEPT FOR USES EXPRESSLY GRANTED IN WRITING, INFORMATION DISCLOSED HEREON IS CONFIDENTIAL AND ALL RIGHTS, PATENT AND OTHERWISE, ARE RESERVED BY SOUTHCO, INC.</small>		SIZE	SYSTEM	DATE	DWG NO.
PER ASME Y14.5M-1994		B	NX	26APR2012	J-R4-10-30-201
		DRAWN BY	SCALE	SHEET	
		DJK	1:1	2 OF 2	

6

5

4

3

2

1