

REV	DATE	25AUG2010	DJK	DESCRIPTION	LOCKING ASSEMBLY	FINISH	PART NUMBER	1-1/2 ACTUATOR STAINLESS STEEL	DRAWING NUMBER	J-AC-M1-15
	A	30NOV2010	MJS		NON-LOCKING ASSEMBLY	POLISHED				AC-M1-15-41
PROPRIETARY ITEM - EXCEPT FOR USES EXPRESSLY GRANTED IN WRITING INFORMATION DISCLOSED HEREON IS CONFIDENTIAL AND ALL RIGHTS PATENT AND OTHERWISE ARE RESERVED BY SOUTHCO, INC.										
RELEASED FOR PRODUCTION PRN: P2010-1120										
DRAWN/CHKD: DJK MJS										
DATE: 25AUG2010										
SCALE: 1:1										
MILLIMETERS TOLERANCES UNLESS OTHERWISE NOTED UP TO 0.5 ±0.05 OVER 0.5 UP TO 6 ±0.1 OVER 6 UP TO 30 ±0.2 OVER 30 ±0.3 ANGLES ±1°										
THIRD ANGLE PROJECTION A3 PAPER SIZE										

NOTES:

A. MATERIAL AND FINISH:

- PAWL, HANDLE, HOUSING - CF-8M STAINLESS STEEL (NOMINAL CAST EQUIVALENT OF 316 STAINLESS STEEL), POLISHED
- BRACKET, KEEPER SPRINGS, SCREW - 304 STAINLESS STEEL, POLISHED
- PIN, LOCKING LEVER - 304 STAINLESS STEEL, PASSIVATED
- SPLINE LOCKPLUG
- SPACER KEY - NYLON, BLACK
- KEY - BRASS, CHROME PLATED

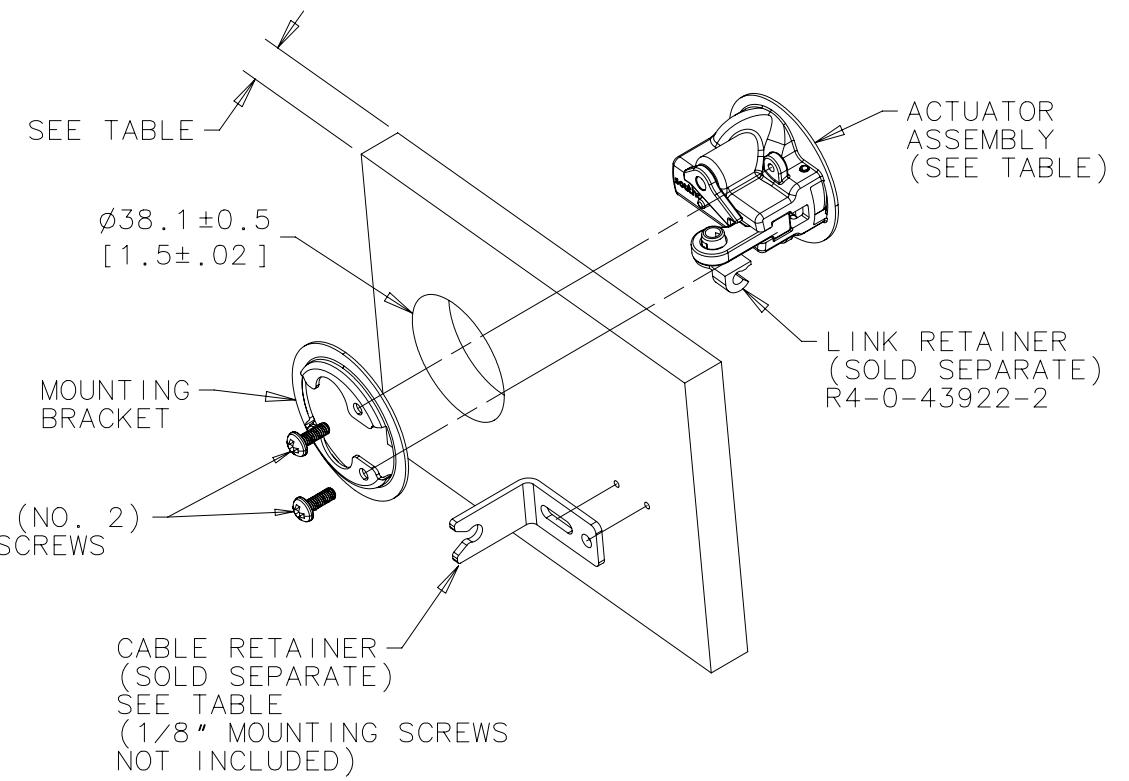
B. CABLE REQUIREMENTS: (USE TYPE 3 CABLE, SEE AC CABLE ASSEMBLY DRAWING J-AC-C)

USE A "L" SHAPE FITTING FOR THE ACTUATOR END OF THE CABLE ASSEMBLY (SEE AC CABLE DRAWING J-AC-C).  
 "TA" DIMENSION = 13mm ON AC CABLE ASSEMBLY DRAWING J-AC-C.

C. CABLE INSTALLATION:

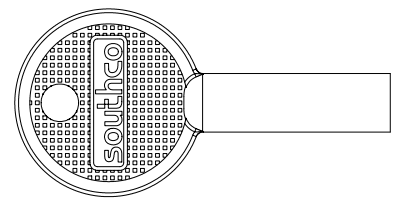
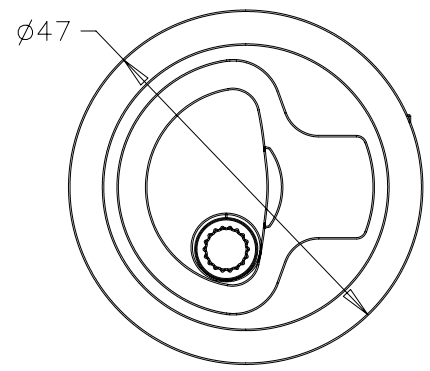
LINK RETAINER MUST BE USED TO INSTALL THE CABLE ASSEMBLY INTO THE ACTUATOR (LINK RETAINER: R4-0-43922-2 SOLD SEPARATELY).

CABLE RETAINER MUST BE USED TO HOLD THE CABLE ASSEMBLY IN PLACE. INSTALL THE CABLE RETAINER AFTER YOU INSTALL THE CABLE AT BOTH ENDS TO ENSURE PROPER ACTUATION (CABLE RETAINER SOLD SEPARATELY SEE TABLE FOR PART NUMBER).



1/2 SCALE

PART NUMBER	PANEL THICKNESS	CABLE RETAINER PART NUMBER
AC-M1-15-41-8	9 mm (.38)	R4-0-50253-1
AC-M1-15-41-8	12 mm (.5)	R4-0-50253-2
AC-M1-15-61-8	9 mm (.38)	R4-0-50253-1
AC-M1-15-61-8	12 mm (.5)	R4-0-50253-2



KEY (FOR AC-M1-15-41-8)

