

southco

PROPRIETARY ITEM - EXCEPT FOR USES EXPRESSLY GRANTED IN WRITING INFORMATION DISCLOSED HEREON IS CONFIDENTIAL AND ALL RIGHTS PATENT AND OTHERWISE ARE RESERVED BY SOUTHCO, INC.

TITLE

A4 LATCH ASSY.

DATE	DRAWN	CHKD	SCALE	DRAWING NUMBER
1-7-09	DME	MW	1:1	J-A4-30-201-12

REV	DATE	DRAWN/CHKD	DESCRIPTION	PART NUMBER	MATERIAL	FINISH
A	1-07-09	Debra Edge	CUSTOMER REQUEST	A4-30-201-12	MILD STEEL	SILVER ORGANIC

MILLIMETERS

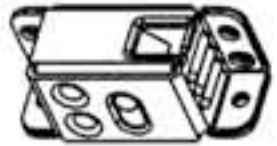
ALL UNTOLERANCED DIMENSIONS ARE FOR REFERENCE PURPOSES ONLY UNLESS OTHERWISE SPECIFIED

THIRD ANGLE PROJECTION

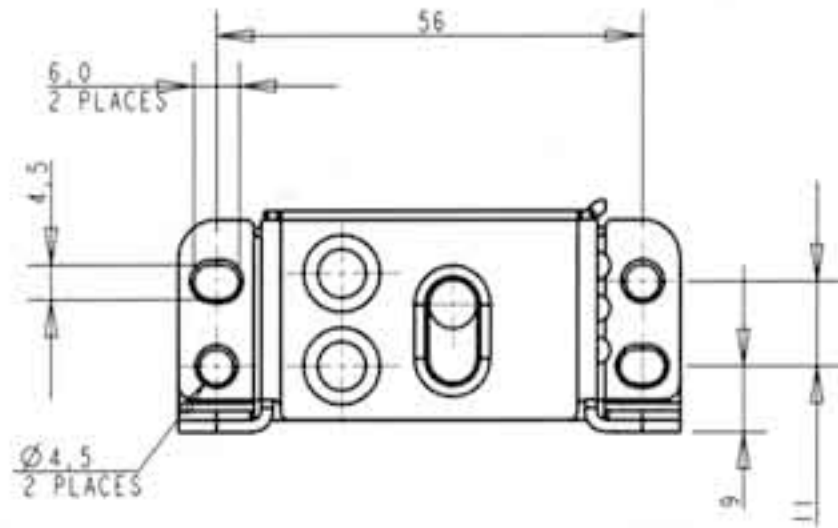
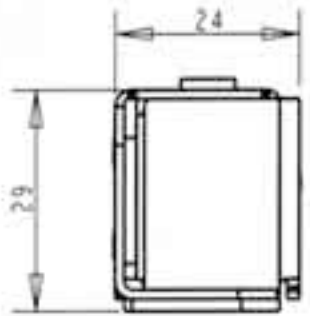
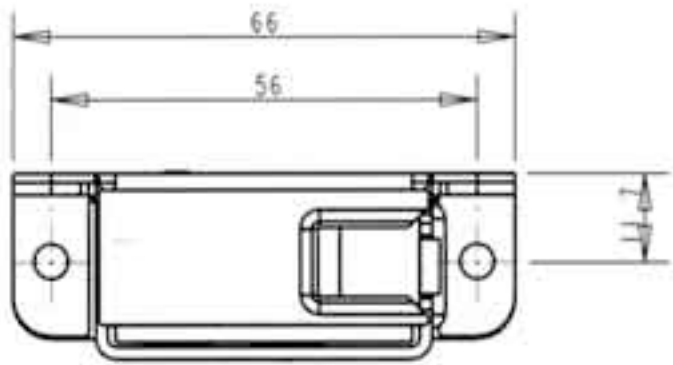
A4 PAPER SIZE

INDICATES DIMENSION WITH SIGNIFICANT CHARACTERISTIC

FILE No. 88



ISO VIEW



NOTES:
1) KEEPER PART No. A4-36-201-12