



PROPRIETARY ITEM - EXCEPT FOR USES EXPRESSLY GRANTED IN WRITING INFORMATION DISCLOSED HEREON IS CONFIDENTIAL AND ALL RIGHTS PATENT AND OTHERWISE ARE RESERVED BY SOUTHCO, INC.


No. 97 OVER-CENTER DRAW LATCH - PADLOCKABLE

DATE	DRAWN	CHKD	SCALE	DRAWING NUMBER
5/19/76	ACZ		.5:1	J-97-70-1

REV	DATE	DRAWN/CHKD	DESCRIPTION	ITEM	PART NUMBER	MATERIAL	FINISH
G	11MAY2006	AJH/RLR	PRN: P2006-0669	ASSEMBLY	97-70-320-11	-	-
				BASE	-	STEEL	ZINC PLATE, CHROMATE DIP
				SPRING	-	STEEL	ZINC PLATE, CHROMATE DIP
				LEVER	-	STEEL	ZINC PLATE, CHROMATE DIP
				PIN	-	STAINLESS STEEL	PASSIVATED
				RIVET	-	STEEL	ZINC PLATE, CHROMATE DIP

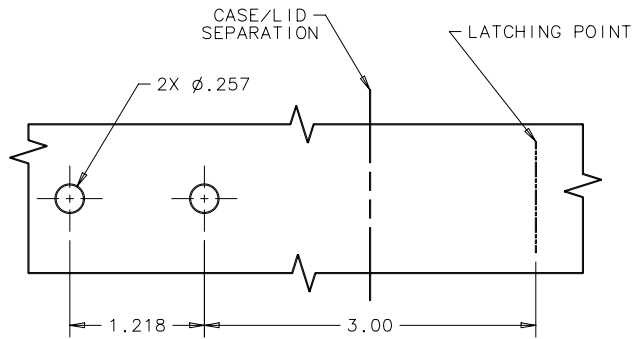
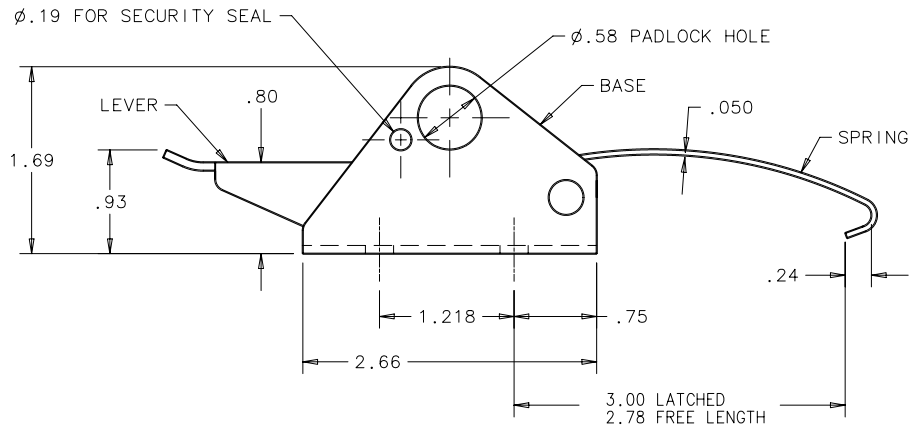
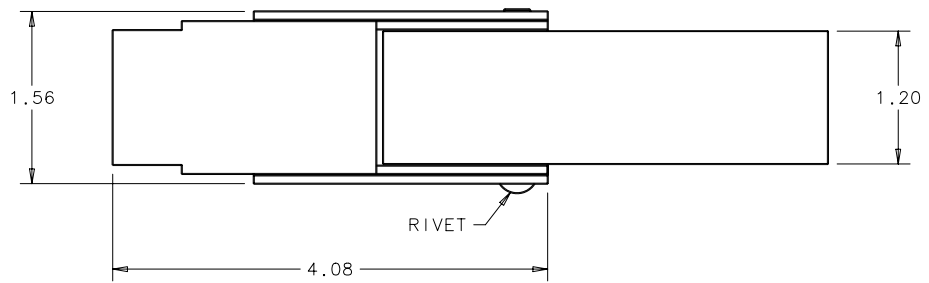
INCHES

ALL DIMENSIONS WITHOUT TOLERANCES ARE FOR REFERENCE ONLY.



THIRD ANGLE PROJECTION

A
PAPER SIZE



PANEL PREPARATION