



93 Push-to-Close Latch

Push button to open

- Push button opening
- Single hole installation
- Optional ejector spring helps prevent rattles

Material and Finish

Latch: ABS, black
Spring: Stainless steel

Performance Details

Max. working load:
530 N (120 lbf)

Flammability rating: UL94-HB

Installation Notes

Max. tightening torque on mounting nut:
7.9 N·m (70 in·lbf)

Accessories

Flat key, keyed alike CH751
(2 keys per ring)
Part number: PK-10-01



Overmoulded key, keyed alike CH751
(2 keys per ring)
Part number: PK-10-01-05



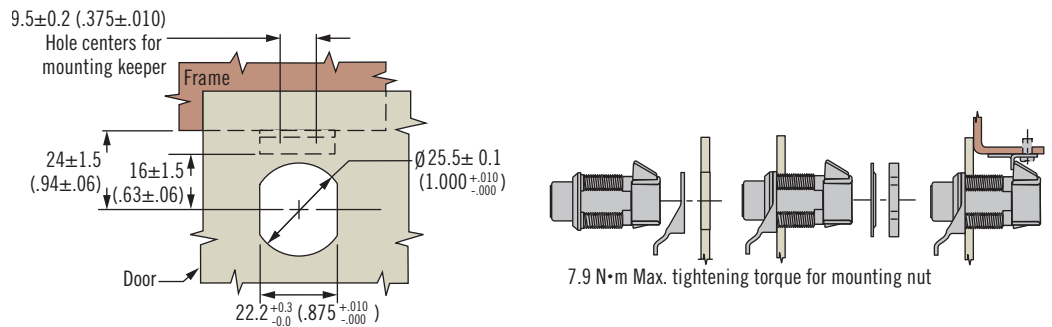
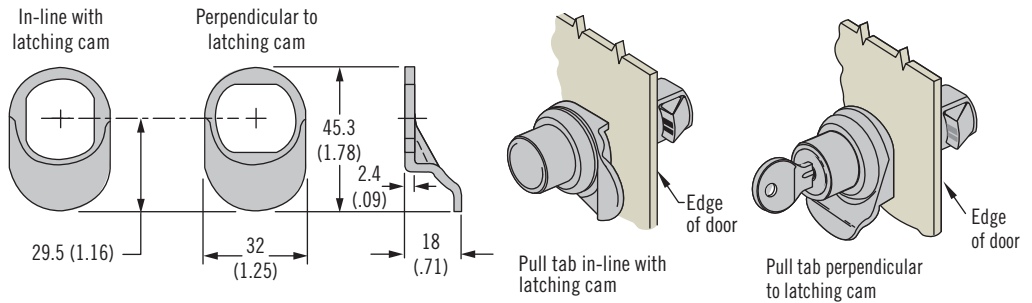
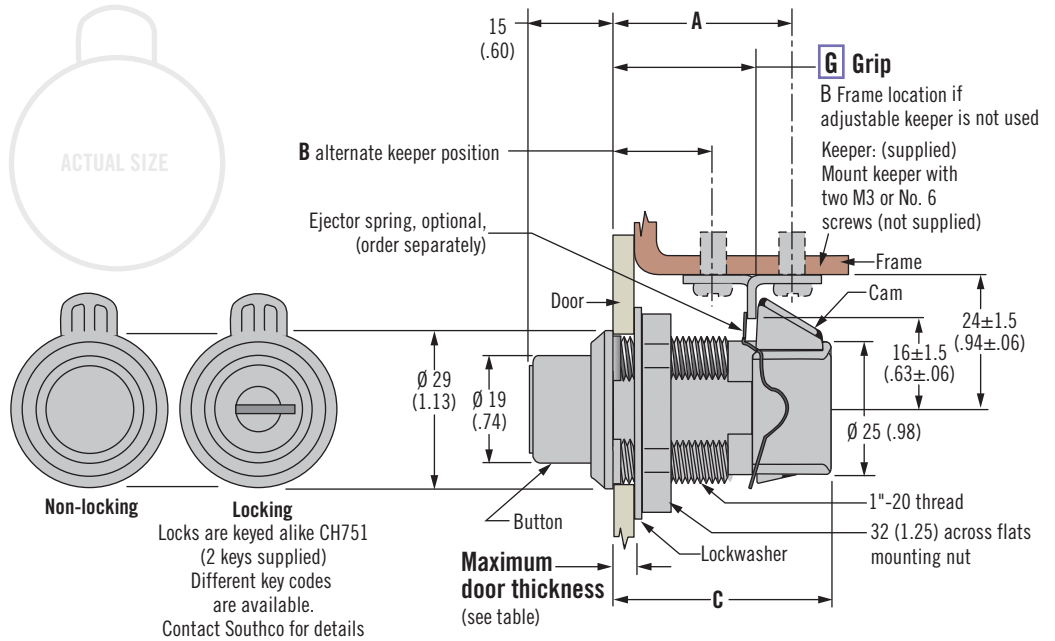
Pull tab (optional) part number:
In-line 93-21-301-14
Perpendicular 93-21-322-14

Keeper (replacement) part number:
93-14-101-24

Ejector spring (optional)
part number: 93-22-302-18

Part Number

See table



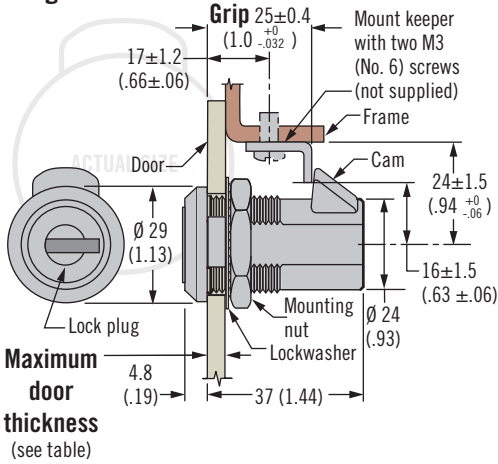
Style	Max. Door Thickness	G Grip	Dimensions			Latch Part Number	
			A	B	C Ref	Key-Locking (2 Flat Keys Supplied)	Non-Locking
Pull tab in-line with latching Cam	10.3 (407)	23 ^{+0.1} _{-.07} (907 ⁺⁰ _{-.032})	29.5±1.5 (1.16±.06)	14.5±1.5 (.57±.06)	37 (1.47)	93-303	93-304
Pull tab perpendicular to latching Cam	10.3 (407)	23 ^{+0.1} _{-.07} (907 ⁺⁰ _{-.032})	29.5±1.5 (1.16±.06)	14.5±1.5 (.57±.06)	37 (1.47)	93-313	93-314
Latch only	12.7 (.500)	25±0.4 (1.000 ⁺⁰ _{-.032})	32±1.5 (1.25±.06)	17±1.5 (.66±.06)	40 (1.57)	93-307	93-308

93 Push-to-Close Latch

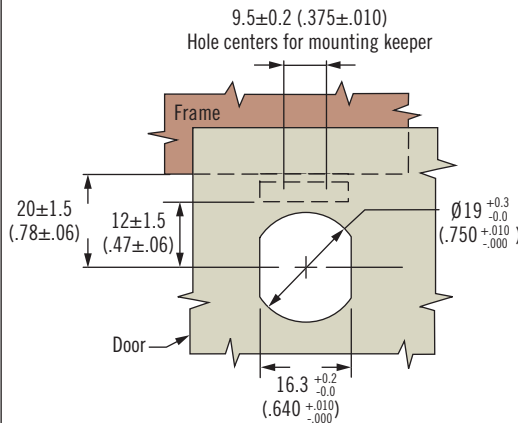
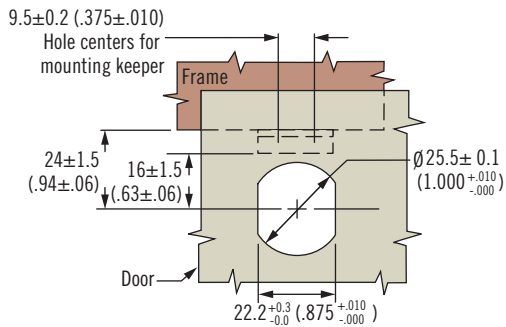
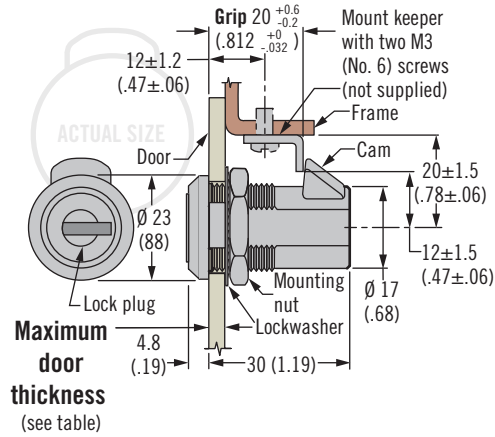
Key actuated



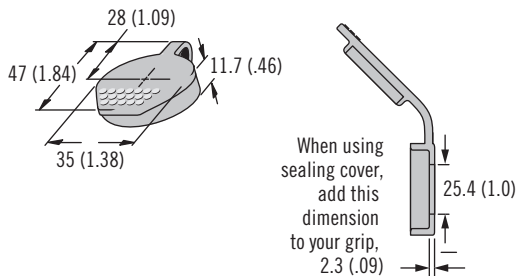
Large



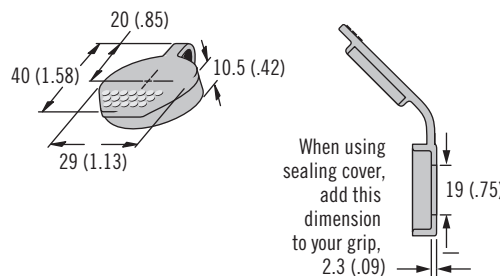
Small



Sealing Cover (optional)



Sealing Cover (optional)



- Key only operation for access restriction
- Single hole installation

Material and Finish

Latch: Zinc alloy, zinc plated or black powder coated

Performance Details

Max. working load:

Large: 560 N (125 lbf)

Small: 330 N (75 lbf)

Operating temperature range:

-18°C (0°F) to 65°C (150°F)

Flammability rating: UL94-HB

Installation Notes

Max. tightening torque on mounting nut: 7.9 N·m (70 in-lbf)

Accessories

Flat key, keyed alike CH751 (2 keys per ring)

Part number: PK-10-01



Overmoulded key, keyed alike CH751 (2 keys per ring)

Part number: PK-10-01-05



Pull tab (optional - large size only):

Part number:

In-line: 93-21-301-14

Perpendicular: 93-21-322-14

Keeper (replacement)

Part number: 93-14-101-11

Part Number

See table

Size	Max. Door Thickness	Latch Part Number	Lock Core Finish	Sealing Cover (Optional) Part Number
		Locking Keyed Alike CH751 (2 Flat Keys Supplied)		
Large	12.7 (.500)	93-10-101-10	Bright	90-4
Small	9.5 (.375)	93-10-201-50	Black	90-2
		93-10-201-10	Bright	



93 Push-to-Close Latch

Turn-to-open · Knob style

- Turn-to-open
- Single hole installation

Material and Finish

Latch: Zinc alloy, chrome plated
Knob: Polycarbonate black

Performance Details

Max. working load:
Large: 560 N (125 lbf)
Small: 330 N (75 lbf)

Operating temperature range:
-18°C (0°F) to 65°C (150°F)

Flammability rating: UL94-HB

Installation Notes

Max. tightening torque on mounting nut: 7.9 N·m (70 in·lbf)

Accessories

Flat key, keyed alike CH751
(2 keys per ring)
Part number: PK-10-01



Overmoulded key, keyed alike CH751
(2 keys per ring)
Part number: PK-10-01-05

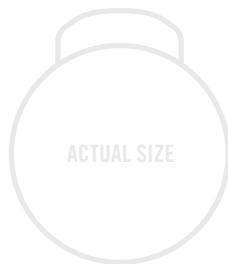
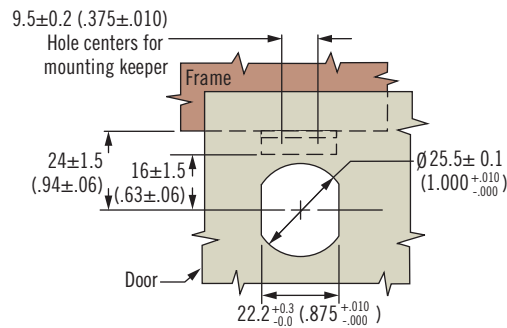
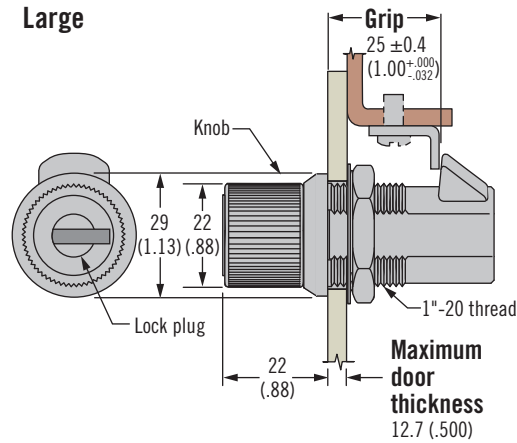


Keeper (replacement)
Part number: 93-14-101-11

Part Number

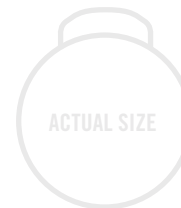
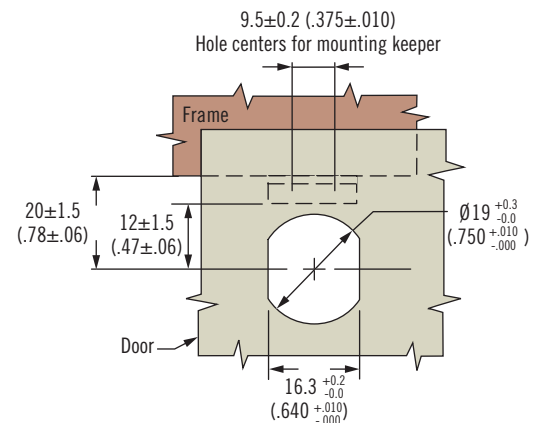
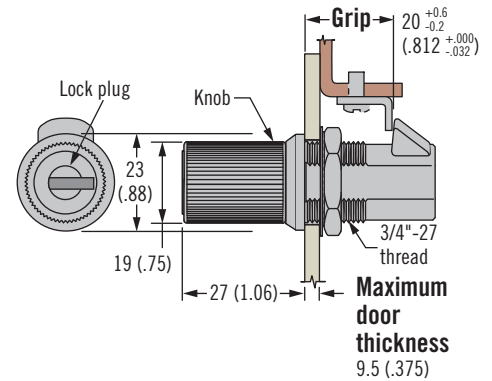
See table

Large



ACTUAL SIZE

Small

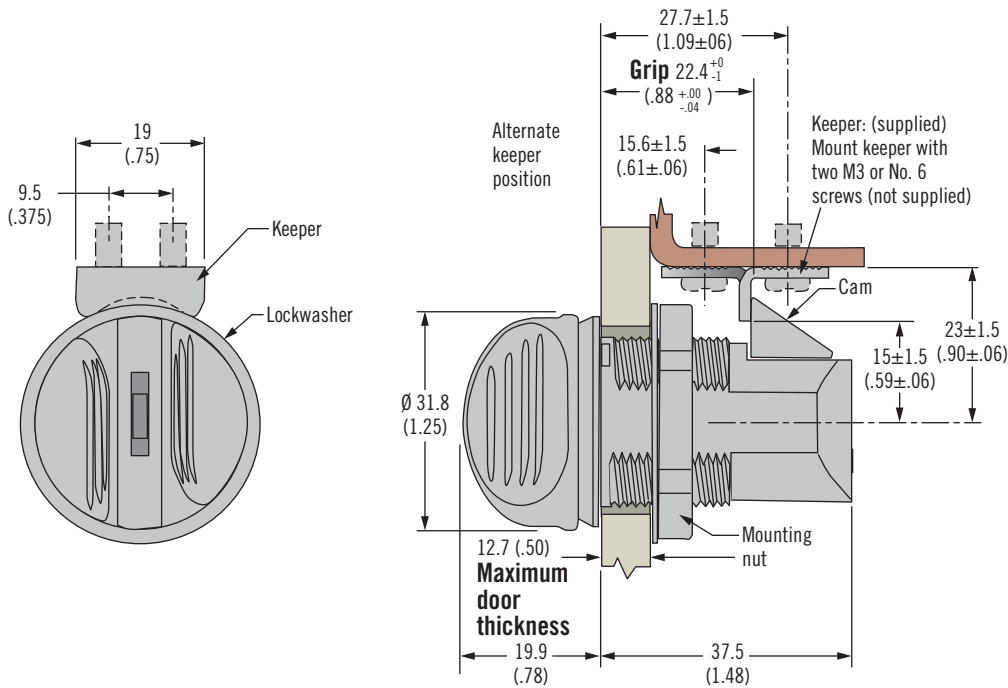


ACTUAL SIZE

Size	Latch Part Number		Lock Core Finish
	Locking (2 Flat Keys Supplied)	Non-locking	
Large	93-10-102-50	93-10-103-50	Black
	93-10-102-10	93-10-103-10	Bright
Small	93-10-202-50	93-10-203-50	Black
	93-10-202-10	93-10-203-10	Bright

93 Push-to-Close Latch

Turn-to-open · Wing style



- Turn-to-open
- Single hole installation

Material and Finish

Glass-filled nylon and acetal, black

Performance Details

Max. working load: 425 N (100 lbf)

Operating temperature range:
-20°C (0°F) to 65°C (150°F)

Flammability rating: UL94-HB

Installation Notes

Max. tightening torque on mounting nut: 6 N·m (53 in·lbf)

Accessories

Flat key, keyed alike CH751

(2 keys per ring)

Part number: PK-10-01



Overmoulded key, keyed alike CH751

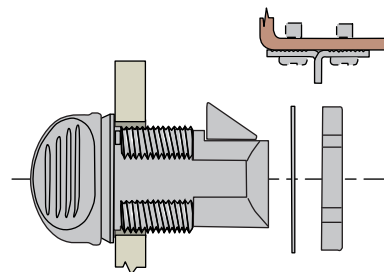
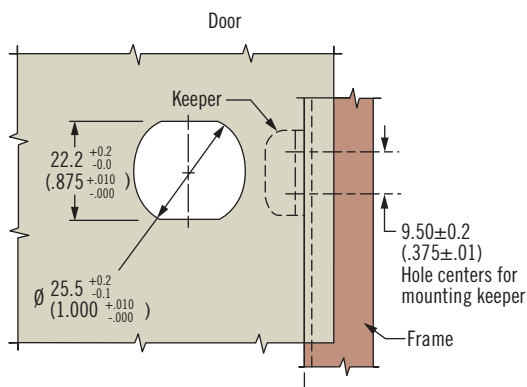
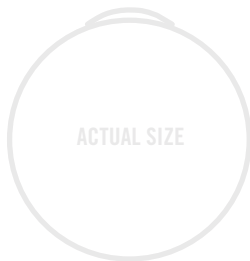
(2 keys per ring)

Part number: PK-10-01-05



Keeper (replacement):

Part number: 93-14-101-24



Latch Part Number (2 Flat Keys Supplied)

93-402

Part Number

See table