



# 92 Cam Latch

## T and L-Handle · Adjustable grip

- Round hole install
- Detents in open and closed position

### Material and Finish

Zinc alloy and steel, zinc plated

### Performance Details

Maximum static load:  
 Short cam 400 N (90 lbf)  
 Long cam 200 N (45 lbf)

### Installation Notes

Screw and lockwasher assembly M4 x 10 (supplied).  
 For door thickness > 3.0 (.12), calculate screw length using the following formula:  
 Door thickness + 7.00 (.28)

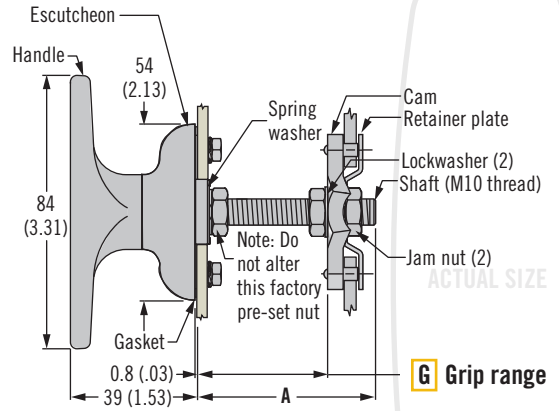
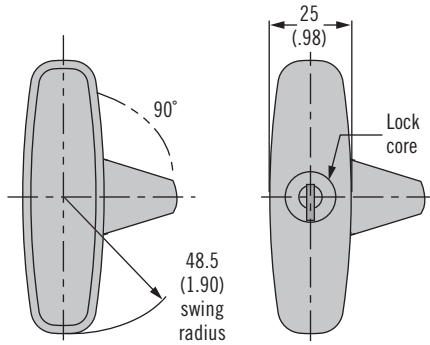
### Keys

See page 120 and 169-175

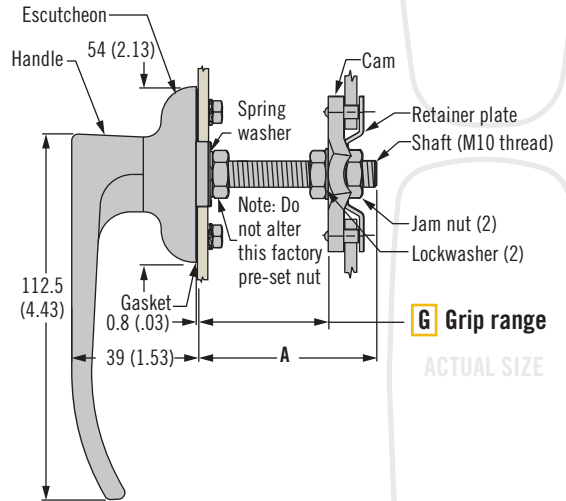
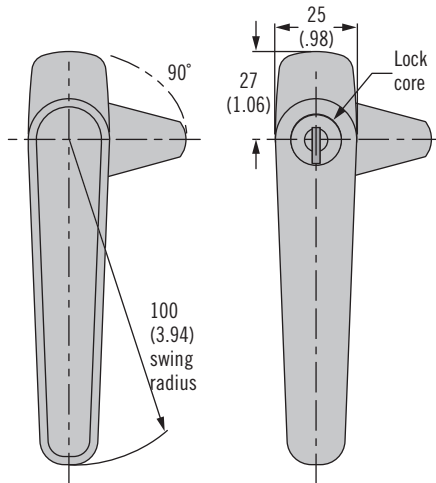
### Notes

For fixed grip versions see page 162  
 For version with 8 (.32) square shaft see page 185

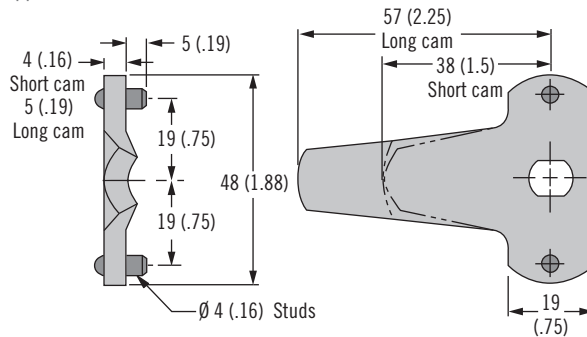
### T-Handle



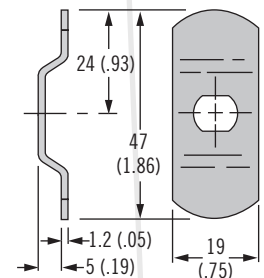
### L-Handle



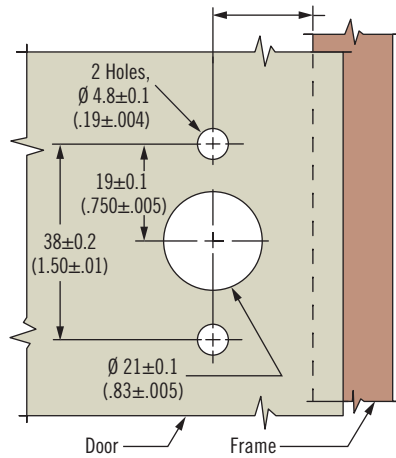
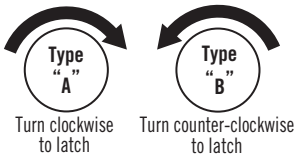
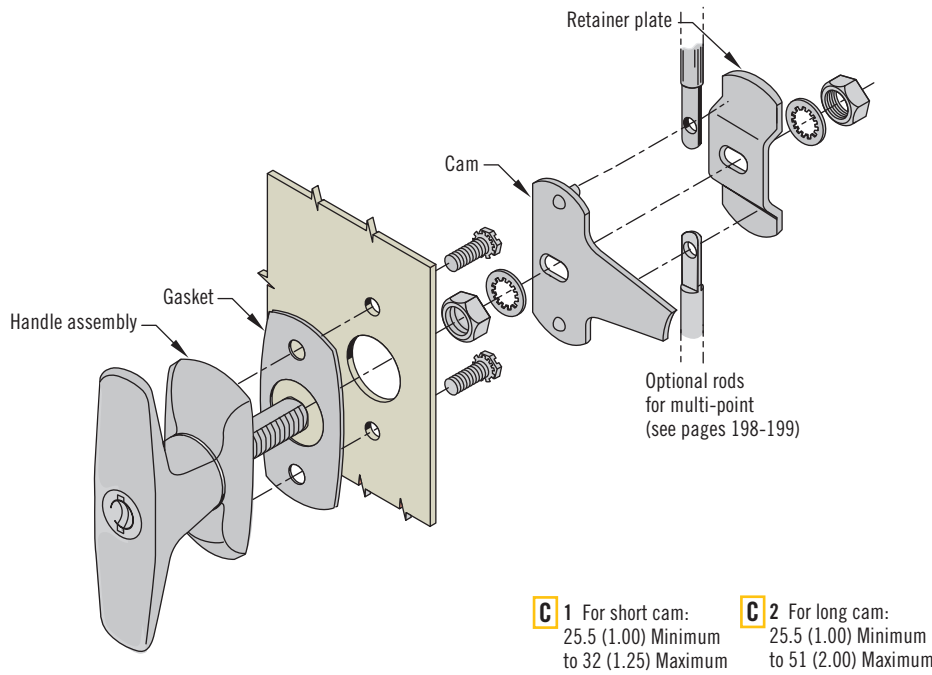
### Cam (supplied)



### Retainer Plate (supplied)

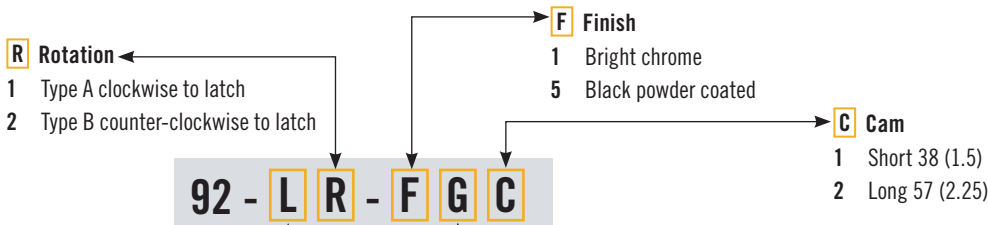


Dimensions in millimeters (inch) unless otherwise stated



**Part Number Selection**

See table



- L** Lock style
- 1 T-handle non-locking
  - 2 T-handle key-locking CH751 (two keys supplied)
  - 3 L-handle non-locking
  - 4 L-handle key-locking CH751 (two keys supplied)

<b>G</b> Grip	Minimum	Maximum	A
1		19 (.75)	32 (1.25)
2	16 (.63)	32 (1.25)	44.5 (1.75)
3		44.5 (1.75)	57.5 (2.25)