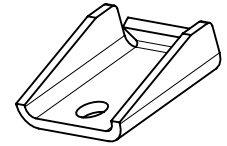
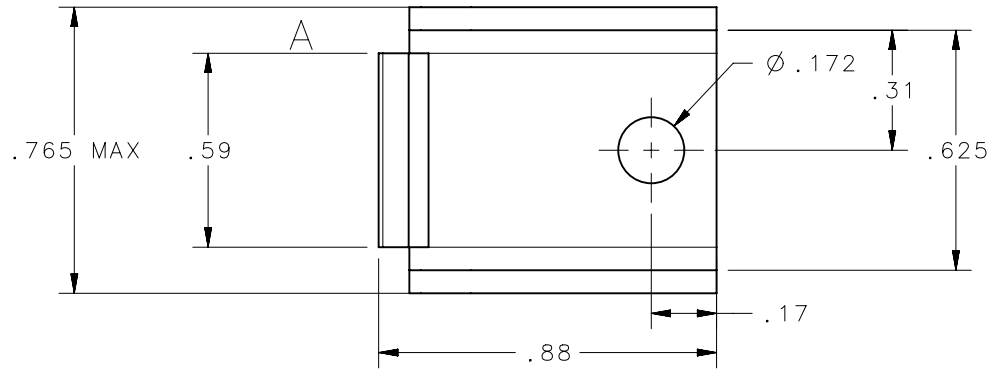
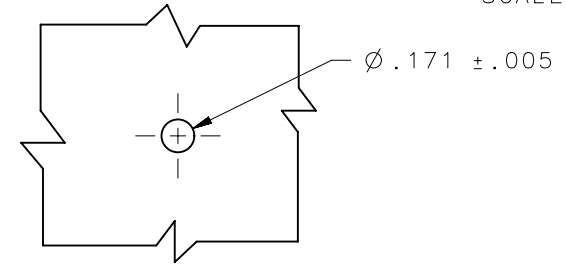


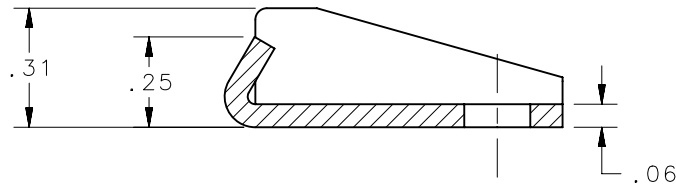
REVISION HISTORY			
REV	DATE	BY	DESCRIPTION
A	22JAN2019	CB1/DMS	PRN: P2019-0167



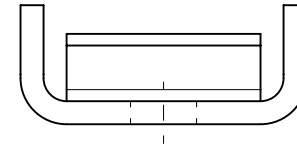
SCALE 1:1



SUGGESTED
PANEL PREPARATION



SECTION A-A



97-57-104-24	KEEPER	STAINLESS STEEL	PASSIVATED
97-57-104-15	KEEPER	SEE NOTE A	SEE NOTE C
97-57-104-12	KEEPER	SEE NOTE A	NATURAL
97-57-104-11	KEEPER	SEE NOTE A	SEE NOTE B
SOUTHCO PART NUMBER	TYPE OF COMPONENT	MATERIAL	FINISH

THIRD ANGLE PROJECTION		 CONNECT • CREATE • INNOVATE	
INCHES [MM]			
TOLERANCES UNLESS OTHERWISE NOTED		DESCRIPTION NO. 97 KEEPER, DRAW LATCH	
ALL DIMENSIONS WITHOUT TOLERANCES ARE FOR REFERENCE ONLY.		SIZE A	SYSTEM NX
PER ASME Y14.5M-1994		DWG NO. J-97-57-104	
DRAWN BY MJS/CHW		DATE 31MAR1999	SHEET 1 OF 1

NOTES :
A. STEEL, HEAT TREATED.
B. ZINC PLATE, BRIGHT CHROMATE.
C. BLACK POWDER COAT.

PROPRIETARY ITEM
EXCEPT FOR USES EXPRESSLY GRANTED
IN WRITING, INFORMATION DISCLOSED
HEREON IS CONFIDENTIAL AND ALL
RIGHTS, PATENT AND OTHERWISE,
ARE RESERVED BY SOUTHCO, INC.