



64 Push-to-Close Latch

Pull-to-open · Paddle latch · Miniature

- Single hole installation
- Concealed mounting
- Plastic slide

Material and Finish

Stainless steel, passivated and brushed finish and glass-filled reinforced nylon, black

Performance Details

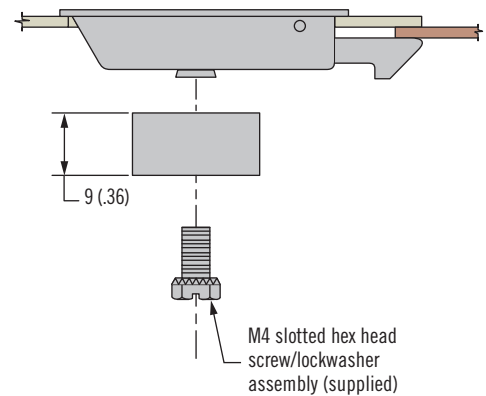
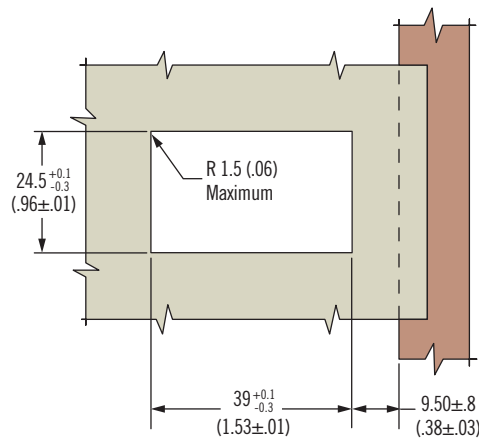
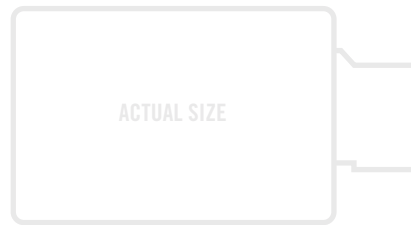
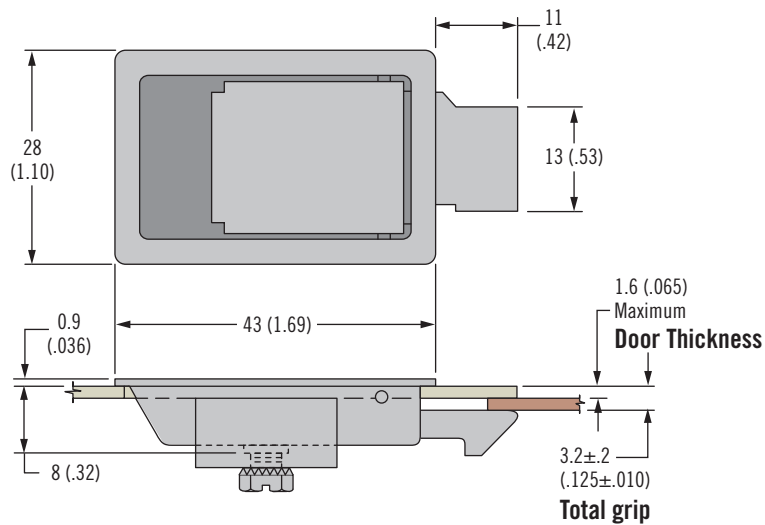
Maximum working load:
90 N (20 lbf)

Operating temperature range:
-18°C (0°F) to 100°C (210°F)

Flammability rating: UL94-V0

Installation Notes

Maximum tightening torque on mounting screws: 0.9 N·m (8 in·lbf)



Part Number

See table

Part Number
64-01-10

Other options available. For complete details on variety, part numbers, installation and specification, go to



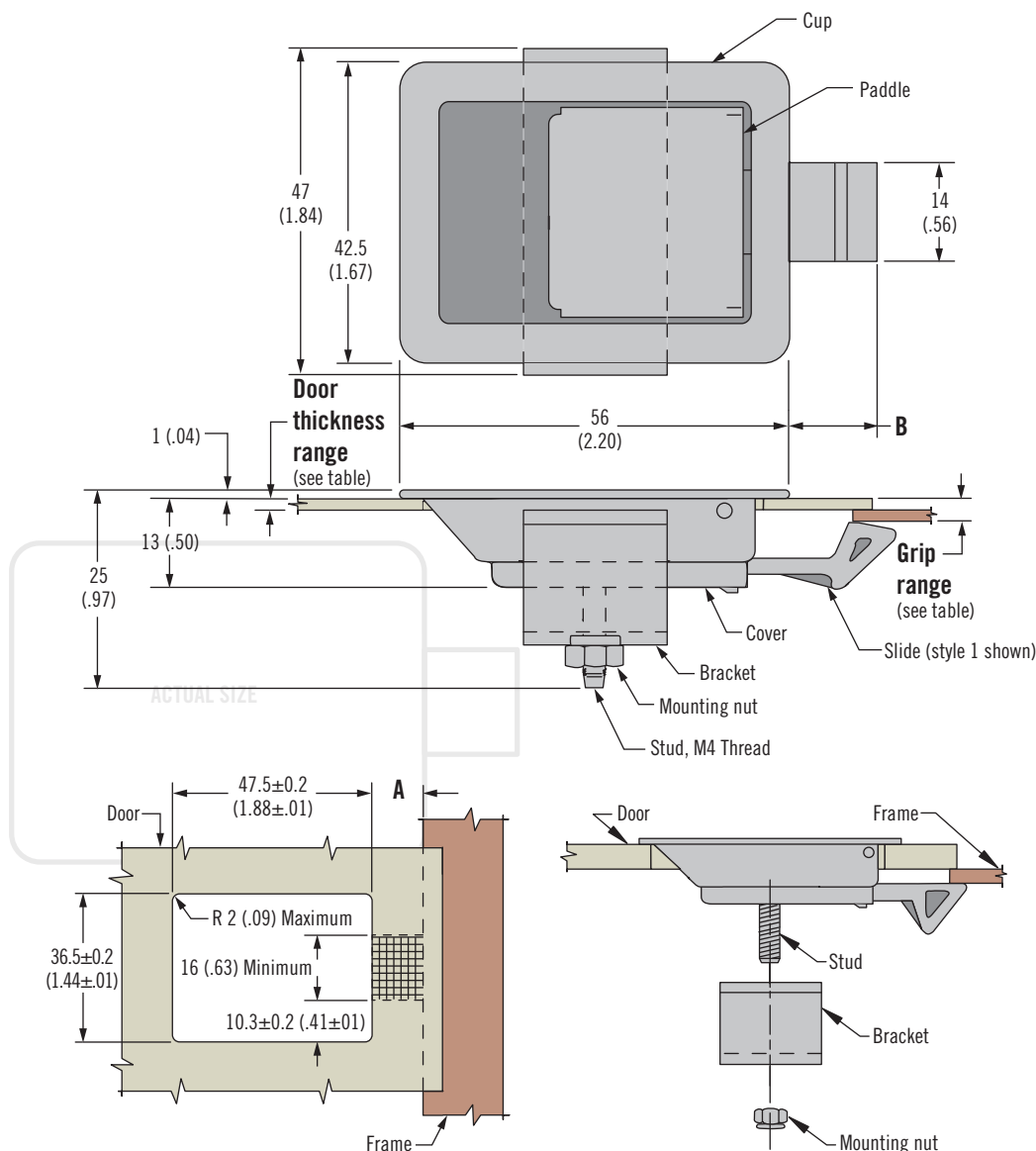
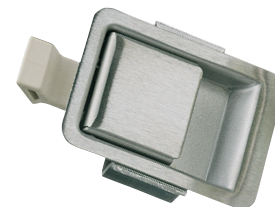
www.southco.com/64

Dimensions in millimeters (inch) unless otherwise stated

southco
CONNECT · CREATE · INNOVATE

64 Push-to-Close Latch

Pull-to-open · Paddle latch · Small



Grip Range		Slide Style	A		B	T (See Notes)	Part Number Brushed Finish			
Minimum	Maximum		Min.	Max.			Door Thickness Range			
3.7 (.144)	3.9 - 7.3 (.154 - .288)	1	10.4 (.41)	12.7 (.50)	12.4 (.49)	1.6 (.063)	64-10-111-50	~	~	~
2.8 (.11)	3.6 (.14)	3	11.9 (.47)	14.2 (.56)	14.2 (.56)	3.2 (.125)	64-10-113-50	64-10-133-50	~	~
6 (.23)	6.7 (.27)	4				6.4 (.250)	64-10-124-50	64-10-114-50	~	~
12.3 (.48)	13.1 (.52)	5				7.1 (.281)	64-10-125-50	64-10-135-50	64-10-115-50	64-10-115-50
18.6 (.73)	19.4 (.77)	6				7.1 (.281)	64-10-126-50	~	64-10-116-50	64-10-116-50

- Single hole installation
- Concealed mounting
- Plastic slide

Material and Finish

Stainless steel, passivated and brushed or black powder coated and glass-filled reinforced nylon, natural

Performance Details

Maximum working load:

Style	Max. Static Load N (lbf)
1	130 (30)
2	110 (25)
3	90 (20)
4	70 (15)
5	55 (12)

Operating temperature range:
-18°C (0°F) to 100°C (210°F)

Flammability rating: UL94-V0

Installation Notes

Door thickness must not exceed T dimension (see table) in area through which slide will operate. It may be necessary to reduce thickness of door in area indicated by grid.

Slide styles: **Style 3**



Style 4



Style 5



Style 6



Notes

For an assembly with black powder coated finish change last digit from 0 to 5 - Example: 64-10-111-55



64 Push-to-Close Latch

Pull-to-open · Paddle latch · Small

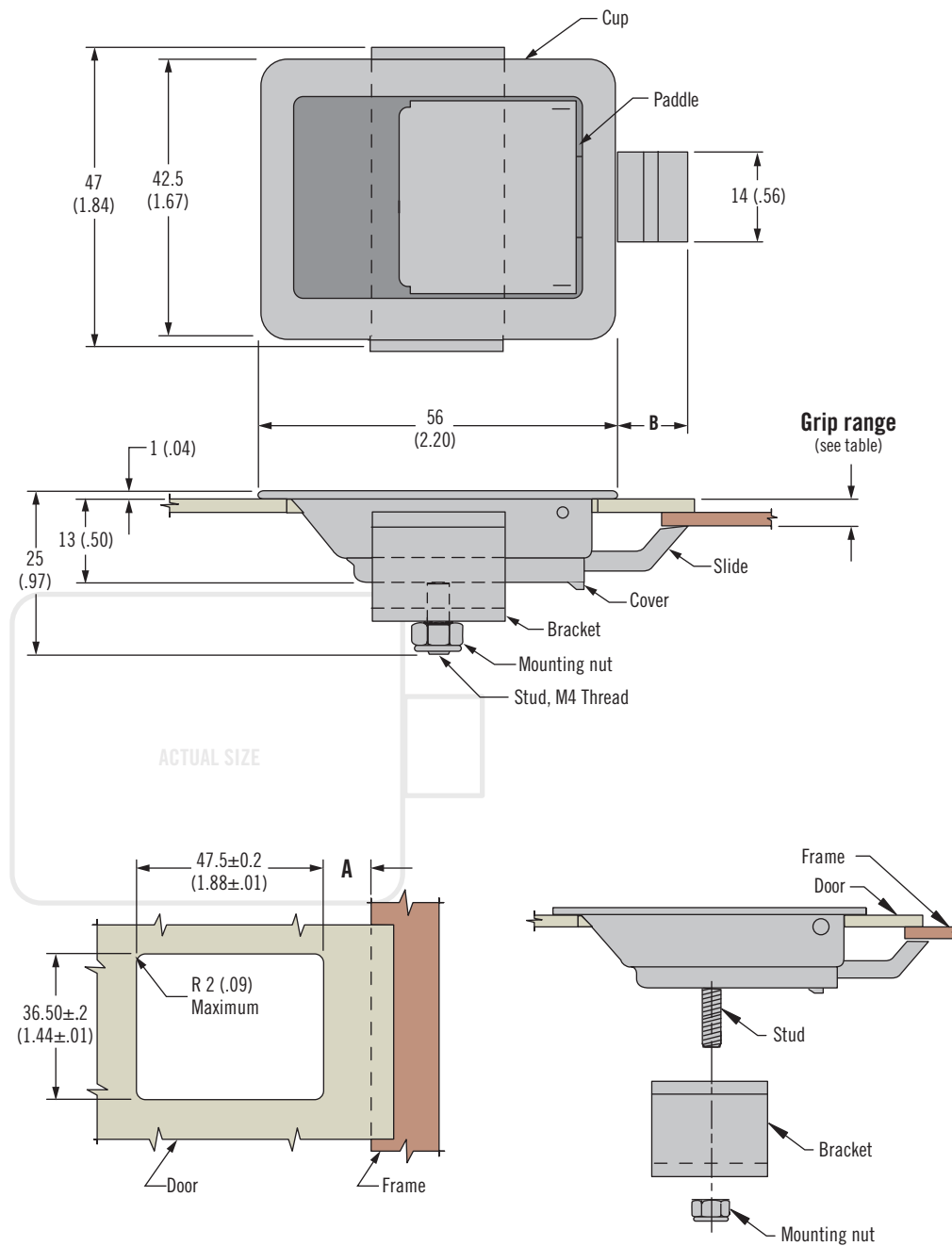
- Single hole installation
- Concealed mounting
- Metal slide

Material and Finish

Stainless steel passivated and brushed or black powder coated, steel, chrome plated

Performance Details

Maximum working load:
222 N (50 lbf)



Part Number

See table

Grip Range		Part Number		A		B
Minimum	Maximum	Stainless Steel, Brushed	Stainless Steel Black Powder coated	Minimum	Maximum	
1.2 (.05)	2 (.08)	64-11-10	64-11-12	10.4 (.41)	12.7 (.50)	11.5 (.45)
2 (.08)	2.8 (.11)	64-11-20	64-11-22	11.2 (.44)	13.5 (.53)	11.9 (.47)
2.8 (.11)	3.6 (.14)	64-11-30	64-11-32	11.9 (.47)	14.2 (.56)	12 (.48)

Other options available. For complete details on variety, part numbers, installation and specification, go to

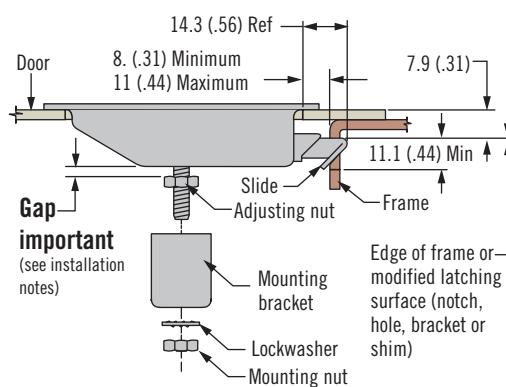
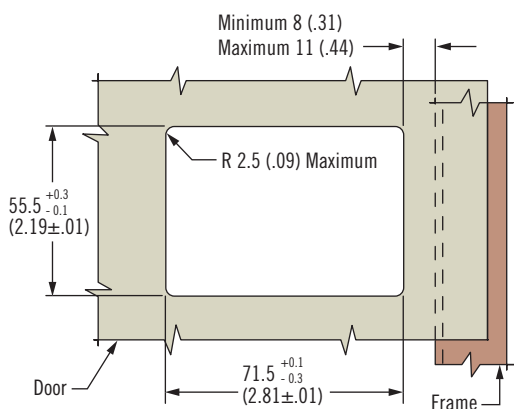
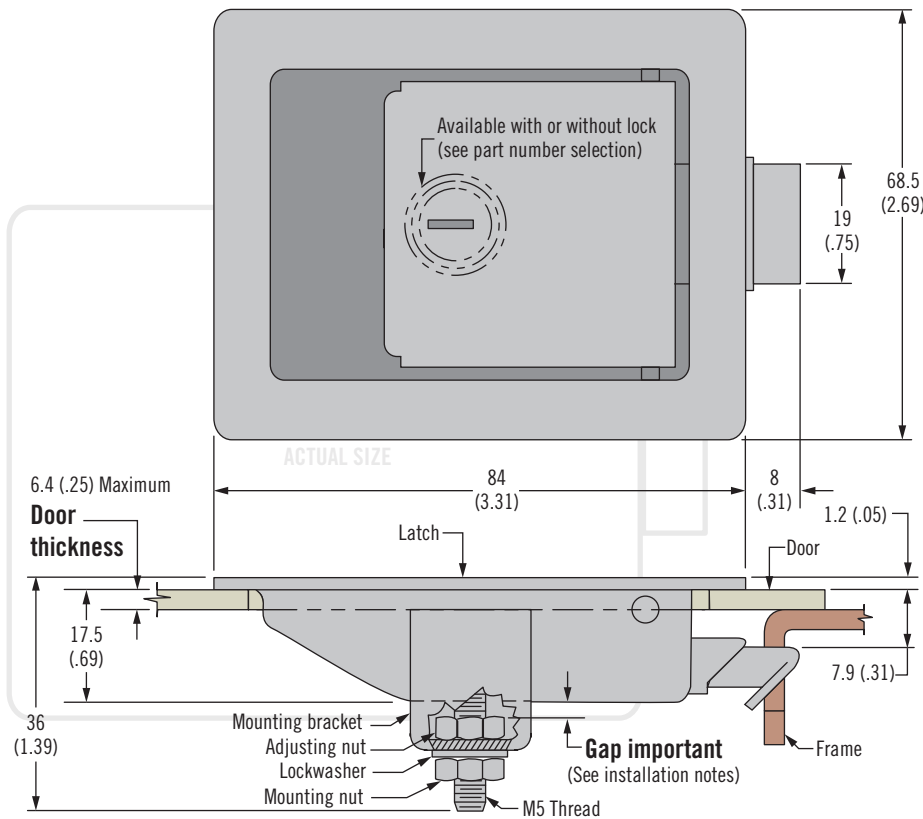
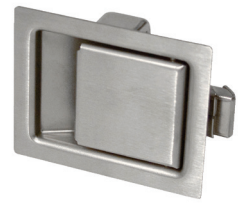


www.southco.com/64

Dimensions in millimeters (inch) unless otherwise stated

64 Push-to-Close Latch

Pull-to-open · Paddle latch · Medium



- Single hole installation
- Concealed mounting
- Metal slide

Material and Finish

Stainless steel brushed, steel, zinc plated or steel, black powder coated or silver

Performance Details

Maximum working load:
570 N (125 lbf)

Installation Notes

Measure your door thickness and set adjusting nut so that Gap is equal to door thickness within plus 0.8 (.03), minus 0.0 (.00).

Accessories

Flat key, keyed alike H257
(2 keys per ring)
Part number: 64-0-33578

Part Number Selection

64 - 2 **L** - 1 **M**

L Lock style

- 1 Non-locking
- 2 Key-locking keyed alike H257 (2 Flat keys supplied)

M Material

- 0 Stainless steel, brushed
- 1 Steel, black powder coated
- 3 Steel, zinc plated
- 5 Steel, powder coated silver



Dimensions in millimeters (inch) unless otherwise stated



Other options available. For complete details on variety, part numbers, installation and specification, go to

www.southco.com/64



64 Push-to-Close Latch

Pull-to-open · Paddle latch · Large

- Single hole installation
- Concealed mounting
- Metal slide

Material and Finish

Stainless steel, brushed, steel, zinc plated or steel, black powder coated

Performance Details

Maximum working load:
1110 N (250 lbf)

Installation Notes

Measure your door thickness and set adjusting nut so that GAP is equal to door thickness within plus 0.8 (.03), minus 0.0 (.00)

Accessories

Flat key, keyed alike CH751 (2 keys per ring)
Part number: PK-10-01



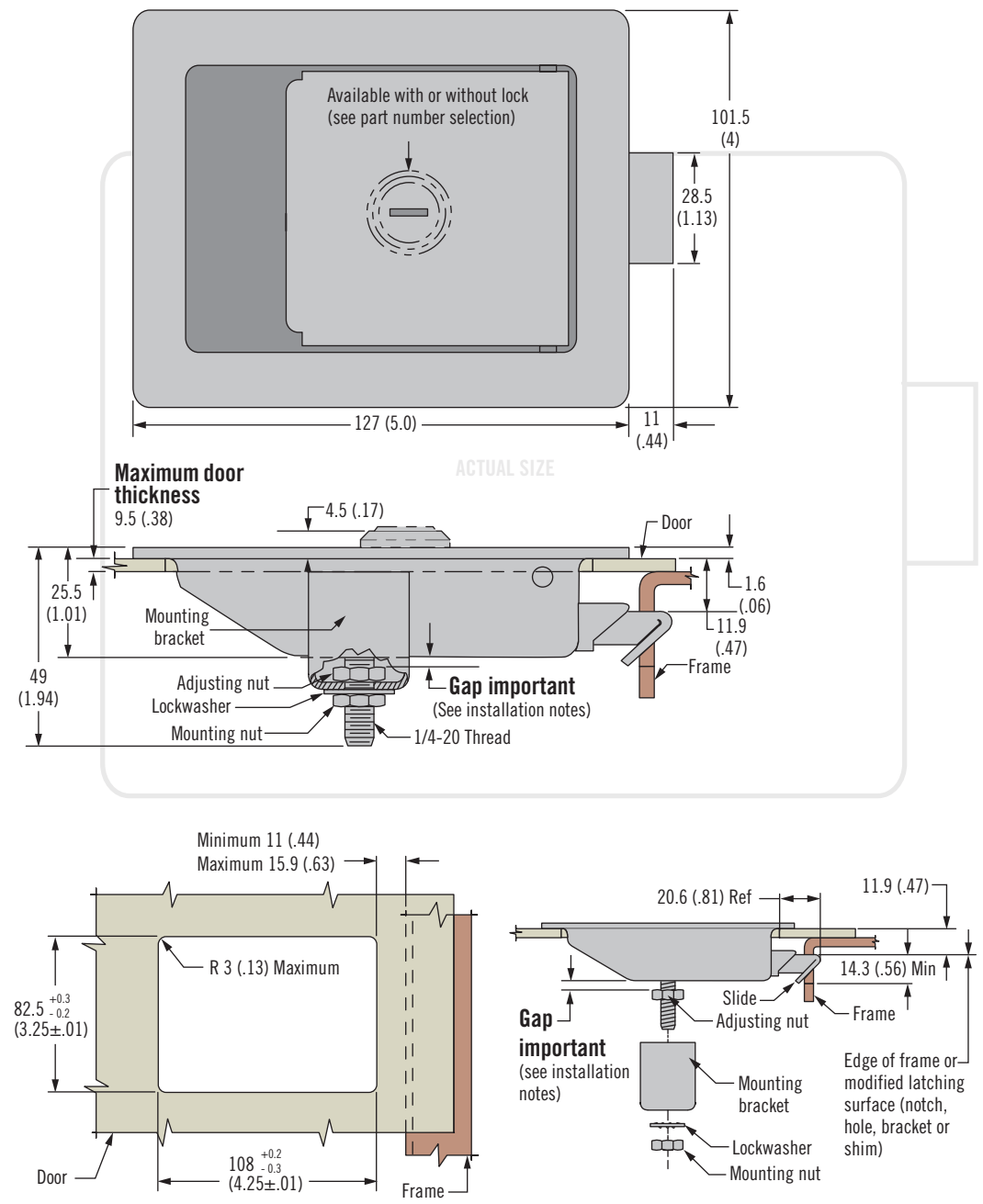
Overmolded key, keyed alike CH751 (2 keys per ring)
Part number: PK-10-01-05



Part Number Selection



- L** Lock style
- 1 Non-locking
 - 2 Key-locking keyed alike CH751 (2 Flat keys supplied)
- M** Material
- 4 Steel, zinc plated
 - 5 Stainless steel brushed
 - 9 Steel, black powder coated



Other options available. For complete details on variety, part numbers, installation and specification, go to

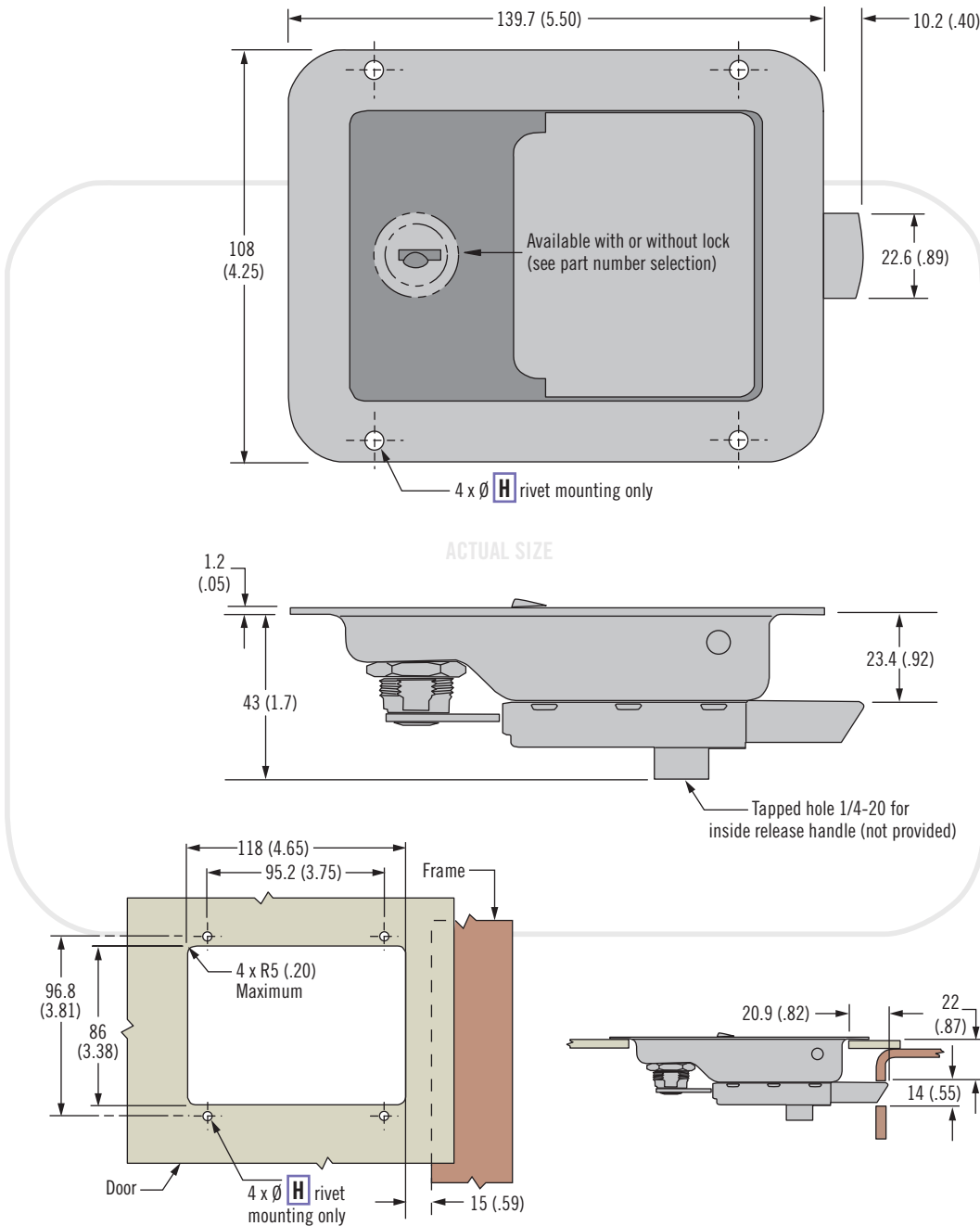


www.southco.com/64

Dimensions in millimeters (inch) unless otherwise stated

64 Push-to-Close Latch

Pull-to-open · Paddle latch · Large



- Single hole installation
- Multiple mounting styles
- Inside actuation in locked or unlocked position

Material and Finish

Stainless steel, polished, steel, zinc plated or steel, black powder coated

Slide bolt and lock assembly:
Zinc plated or powder coated

Performance Details

Maximum working load:
560 N (125 lbf)

Accessories

Flat key, keyed alike CH751
(2 keys per ring)
Part number: PK-10-01



Overmolded key, keyed alike CH751
(2 keys per ring)
Part number: PK-10-01-05



Part Number Selection

64 - 50 - 4 L H - M

- M** Material
- 10 Steel, zinc plated
 - 20 Stainless steel polished
 - 50 Steel, black powder coated

- L** Lock style
- 0 Non-locking
 - 1 Key-locking keyed alike CH751 (2 Flat keys supplied)

- H** Housing
- 0 Weld
 - 1 Rivet through hole 4.9 (.19)
 - 2 Rivet through hole 5.2 (.20)



Dimensions in millimeters (inch) unless otherwise stated

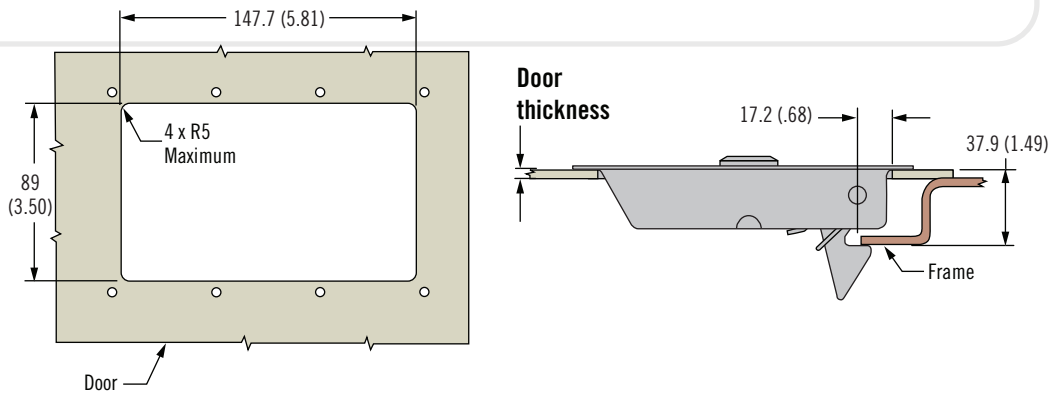
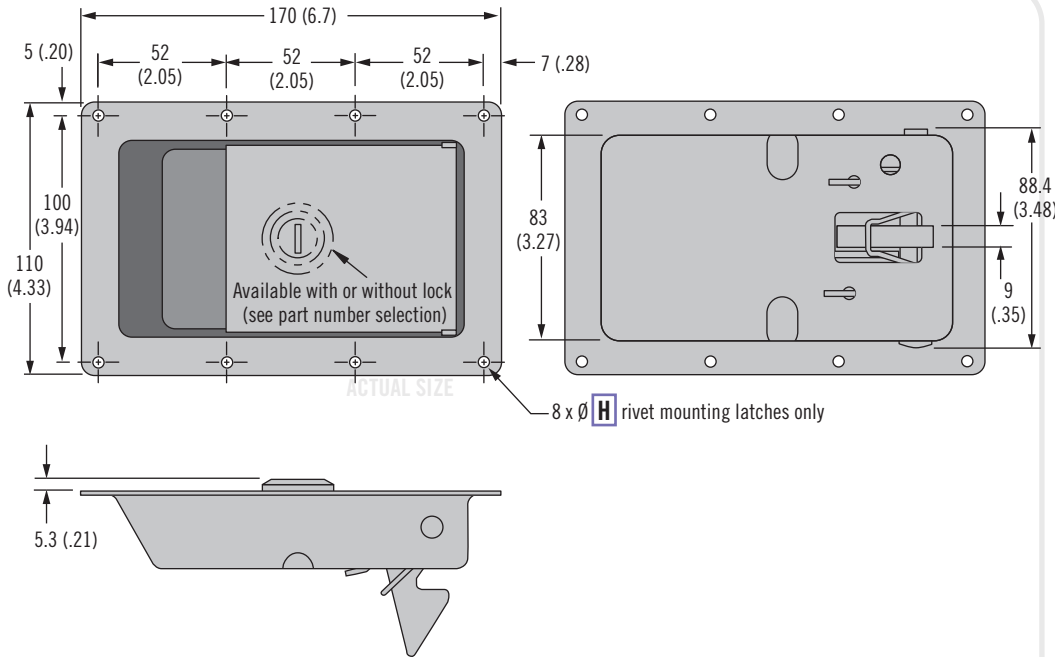
Other options available. For complete details on variety, part numbers, installation and specification, go to



www.southco.com/64

64 Push-to-Close Latch

Pull-to-open · Paddle latch · Heavy-duty pivot



- Robust design resists binding from dirt and debris
- Multiple mounting styles

Material and Finish

Steel, zinc plated or black powder coated

Slide bolt and lock assembly:
Zinc plated or powder coated

Performance Details

Maximum working load:
2700 N (607 lbf)

Accessories

Flat key, keyed alike 14603

(2 keys per ring)

Part number: PK-10-01-14603



Part Number Selection

64 - 60 - 5 L H - M

L Lock style
0 Non-locking
1 Key-locking keyed alike 14603 (2 Flat keys supplied)

H Housing
0 Weld
1 Rivet through hole 4.9 (.19)
2 Rivet through hole 5.2 (.20)

M Material
10 Steel, zinc plated
50 Steel, black powder coated



64 Push-to-Close Actuator

Pull-to-open · Paddle handle actuator · Multi-point · Large

- Flush mounting installation
- Multiple mounting styles
- Locking and Non-Locking options

Material and Finish

Stainless steel, polished, steel, zinc plated or black powder coated

Accessories

Flat key, keyed alike CH751
(2 keys per ring)
Part number: PK-10-01

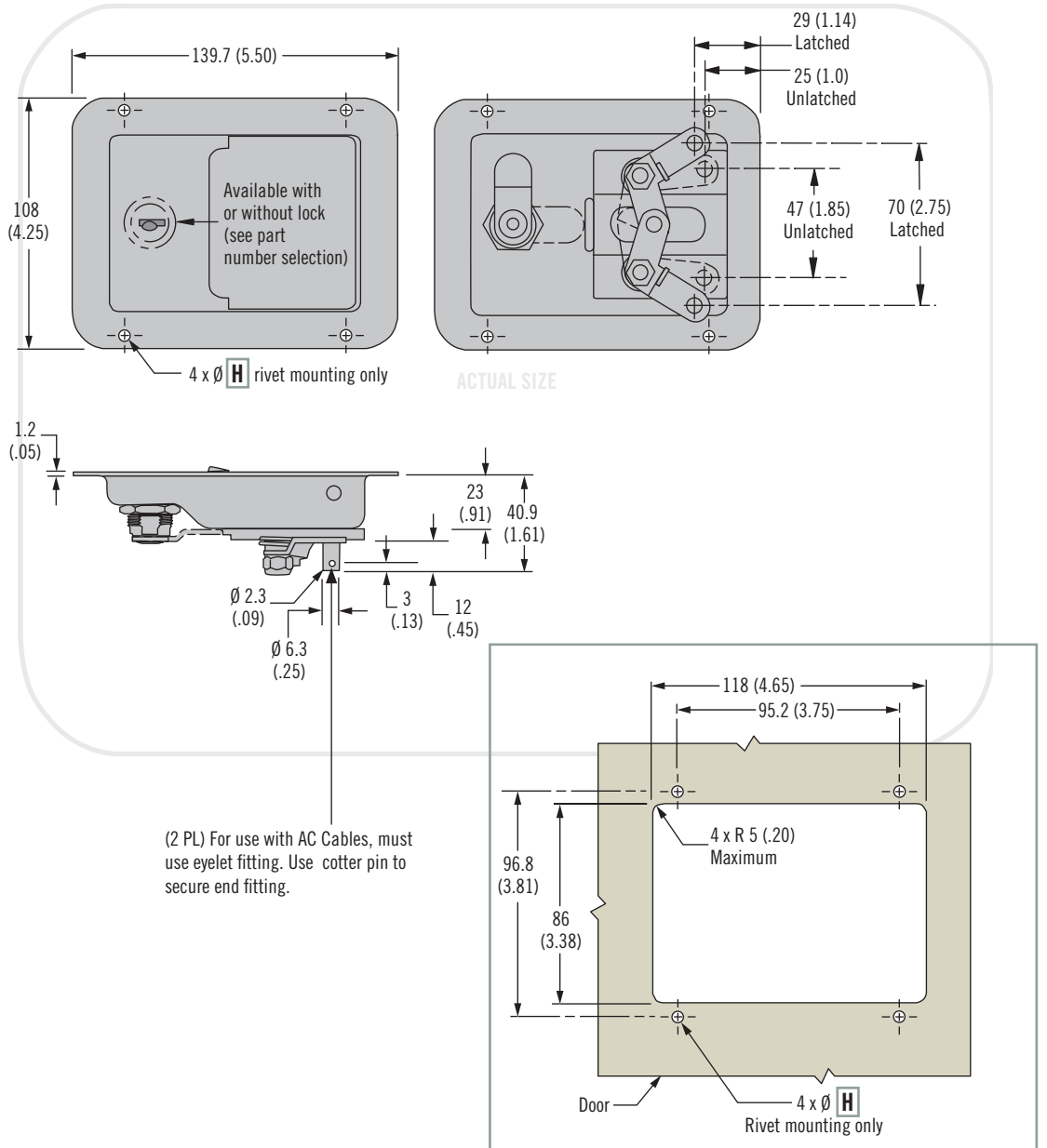


Overmolded key, keyed alike CH751
(2 keys per ring)
Part number: PK-10-01-05



Notes

AC Cable end fitting must be eyelet for this actuator (Page 272)



Part Number Selection

- | | | |
|--------------------------------|---|-------------------------------|
| H Housing | ← | M Material |
| 0 Weld | | 10 Steel, zinc plated |
| 1 Rivet through hole 4.9 (.19) | | 20 Stainless steel, polished |
| 2 Rivet through hole 5.2 (.20) | | 50 Steel, black powder coated |

64 - 40 - 4 L H - M

- | | |
|--|---|
| L Lock style | ← |
| 0 Non-locking | |
| 1 Key-locking keyed alike CH751 (2 Flat keys supplied) | |

Other options available. For complete details on variety, part numbers, installation and specification, go to

INFO CLIC www.southco.com/64

Dimensions in millimeters (inch) unless otherwise stated