



62 Compression Latch

Lift & turn series · Flush style · Adjustable grip

- Low profile
- Easy grip adjustment
- Intuitive operation

Material and Finish

Zinc alloy, powder coated or chrome plated and steel, zinc plated

Performance Details

Maximum static load: 220N (50 lbf)
 Compression: 2mm (.08 in)

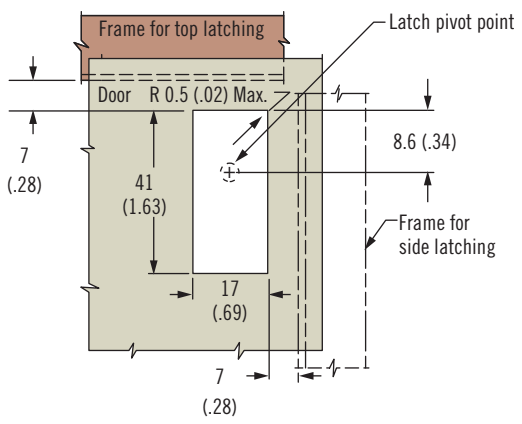
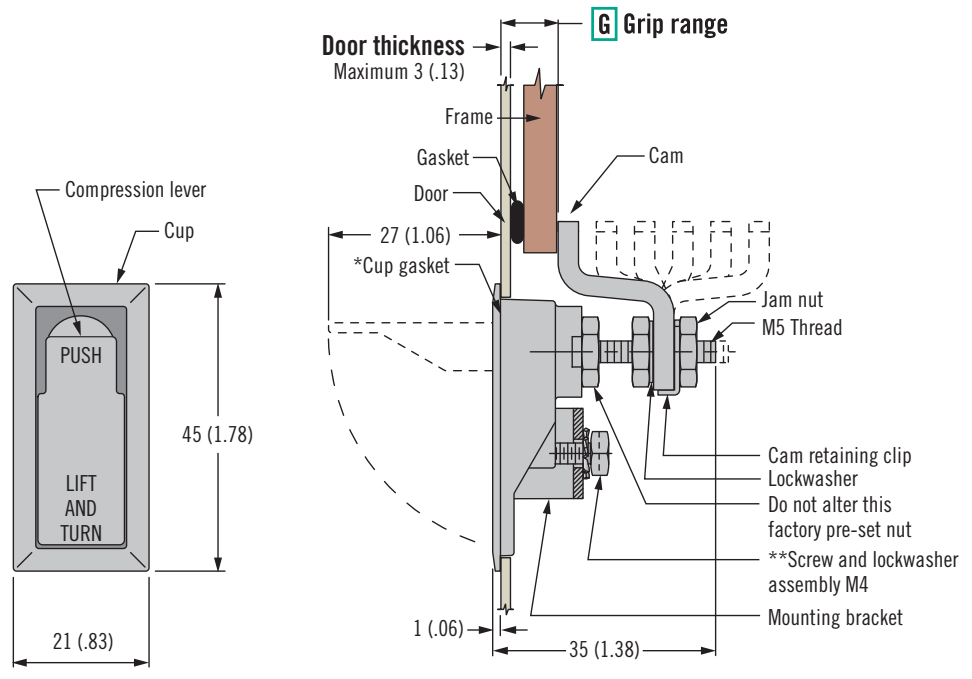
Sealing Notes

Sealing the mounting screw threads required.

Installation Notes

Screw and lockwasher assembly M4 x 10. For door thickness greater than 3 (.11) calculate screw length using the following formula:
 Door thickness + 7 (.28)

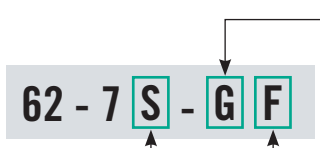
Add 0.4 (.02) to door thickness when using cup gasket



ACTUAL SIZE

Part Number Selection

See table

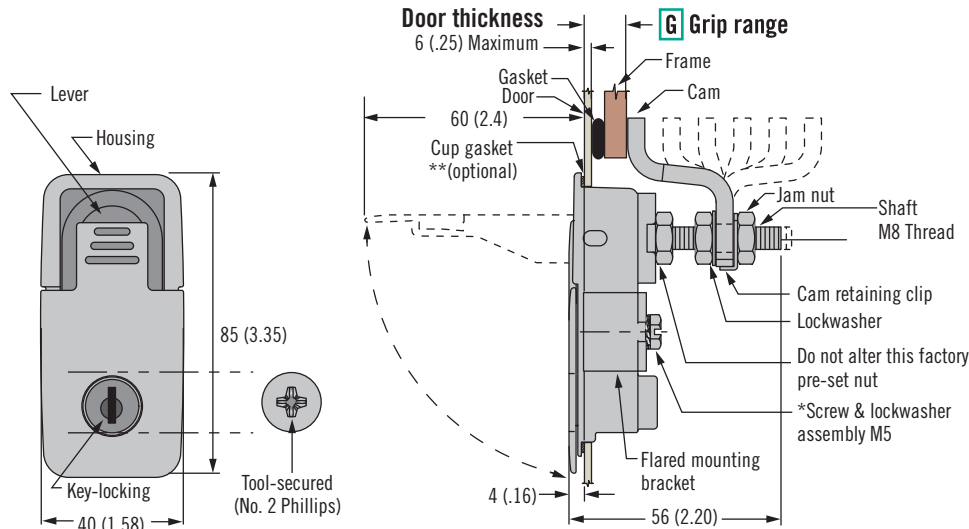


- S** Sealing option
- 0 No Gasket
 - 4 Gasket Included (see sealing and installation notes)
- F** Finish
- 1 Polished chrome
 - 2 Brushed chrome
 - 5 Black powder coated

Grip	Minimum	Maximum	Cam Type
1	4.5 (.17)	10.5 (.41)	Deep offset cam, forward
	34.5 (1.35)	40.5 (1.59)	Deep offset cam, reversed
2	10.5 (.41)	16.5 (.65)	Offset cam forward
	28.5 (1.12)	34.5 (1.35)	Offset cam reverse
3	16.5 (.65)	22.5 (.88)	Shallow offset cam, forward
	22.5 (.88)	28.5 (1.12)	Shallow offset cam, reversed

62 Compression Latch

Lift & turn series · Flush style · Adjustable grip



- Low profile
- Intuitive operation

Material and Finish

Zinc alloy, powder coated or chrome plated and steel, zinc plated

Performance Details

Maximum static load: 440 N (100 lbf)
Compression: 3mm (.12 in)

Sealing Notes

Environmental sealing is achieved by using a cup gasket and sealing the mounting screw threads.

Installation Notes

Screw and lockwasher assembly M5 x 16. For door thickness greater than 6 (.25) calculate screw length using the following formula:

Door thickness + 10 (.39)

Add 0.4 (.02) to door thickness when using cup gasket

Accessories

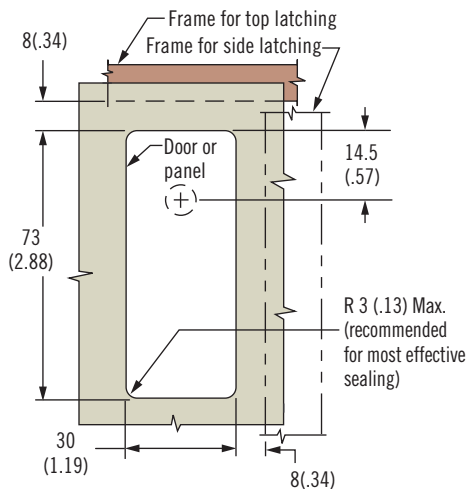
Cup gasket:
Part number: 62-973-431

Keys

PK-10-01
See page 121

Notes

For lock core selection and a complete overview of the *SOUTHCO*® Key-Choice System see page 190



Part Number Selection

See table

62 - 4 L - G F 1 - P

- L Lock style**
 - 0 Non-locking
 - 2 Key-locking without dust shutter keyed alike CH751
 - 3 Tool secured No. 2 Phillips
 - 20 4 mm Hex Recess
 - 21 Locking without lock core (order separately see page 190)
- P Packaging option**
 - 3 Layer packed
 - 2 Individually packed
- F Finish**
 - 0 Textured chrome
 - 1 Polished chrome
 - 5 Black powder coated

G Grip	Minimum	Maximum	Cam Type
1	6 (.23)	16 (.63)	Deep offset cam, forward
	56 (2.20)	66 (2.59)	Deep offset cam, reversed
2	16 (.63)	26 (1.02)	Offset cam forward
	46 (1.81)	56 (2.20)	Offset cam reverse
3	26 (1.02)	36 (1.41)	Shallow offset cam, forward
	36 (1.41)	46 (1.81)	Shallow offset cam, reversed



62 Compression Latch

Lift & turn series · Flush style · Adjustable grip

- Low profile when latched
- Easy grip adjustment
- Intuitive operation

Material and Finish

Zinc alloy, chrome brushed and steel, zinc plated

Performance Details

Maximum static load: 1250 N (280 lbf)
 Compression: 5.5 mm (.22 in)

Installation Notes

*Screw and lockwasher assembly 5/16-18UNC x 3/4.
 For door thickness greater than 6 (.25) calculate screw length using the following formula:
 Door thickness + 7 (.28)

Accessories

Actuator for three point locking assembly (order separately)
 Part number: 62-19-501-15

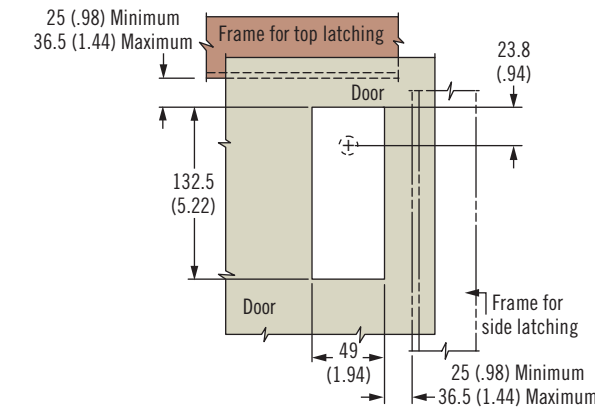
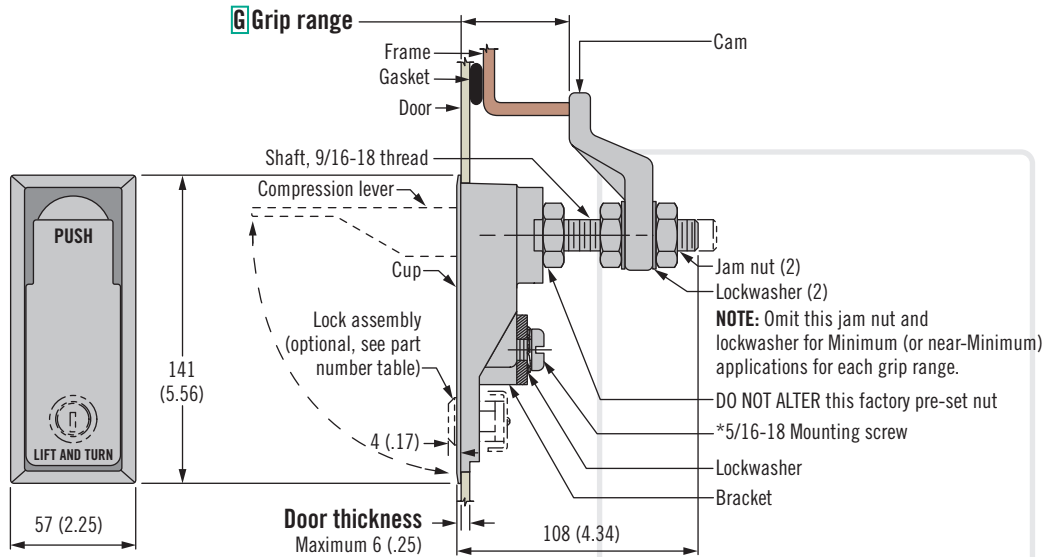


Keys

See page 121

Part Number Selection

See table



ACTUAL SIZE

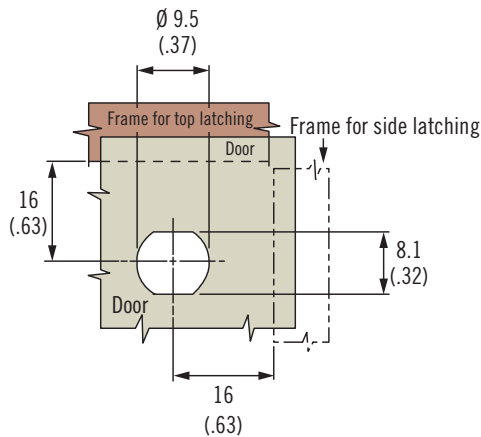
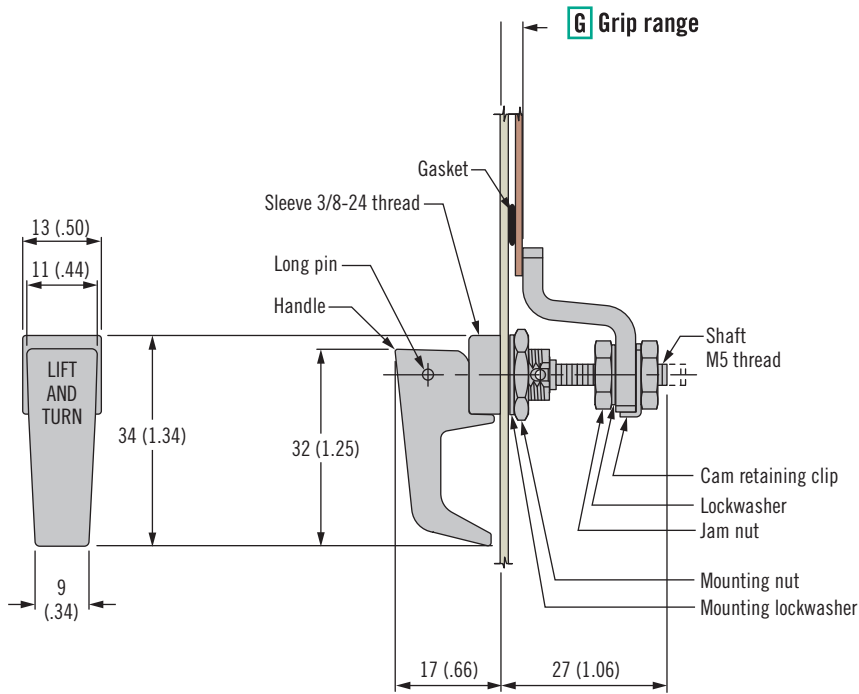
H Head style

- 0 Non-locking
- 1 Key-locking keyed alike CH751 (two flat keys supplied)

62 - 10 - 8 **H** 1 - 20

62 Compression Latch

Lift & turn series · Handle style · Adjustable grip



- Easy grip adjustment
- Intuitive operation

Material and Finish

Zinc alloy, powder coated or chrome plated and steel, zinc plated

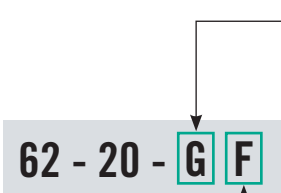
Performance Details

Maximum static load: 220 N (50 lbf)

Compression: 3 mm (.11 in)

Part Number Selection

See table



F Finish

- 1 Polished chrome
- 5 Black powder coated

Grip	Minimum	Maximum	Cam Type
1	0 (0)	4 (.16)	Deep offset cam, forward
	28 (1.10)	34 (1.34)	Deep offset cam, reversed
2	4 (.16)	10 (.39)	Offset cam, forward
	22 (.87)	28 (1.10)	Offset cam, reverse
3	10 (.39)	16 (.63)	Shallow offset cam, forward
	16 (.63)	22 (.87)	Shallow offset cam, reversed



62 Compression Latch

Lift & turn series · Handle style · Adjustable grip

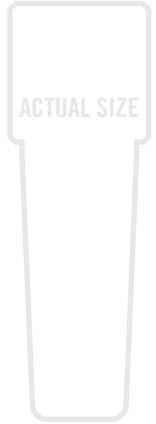
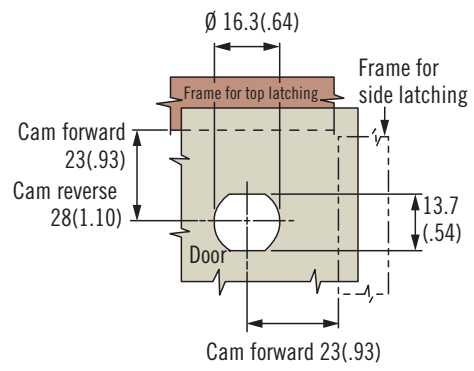
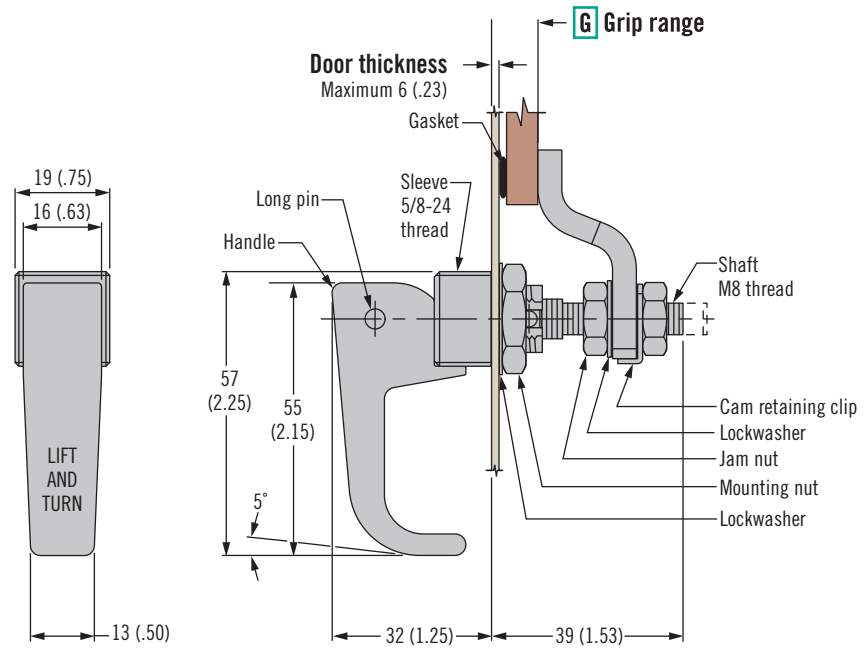
- Easy grip adjustment
- Intuitive operation

Material and Finish

Zinc alloy, powder coated or chrome plated and steel, zinc plated

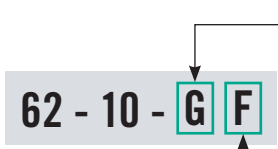
Performance Details

Maximum static load: 550 N (125 lbf)
 Compression: 5 mm (.19 in)



Part Number Selection

See table

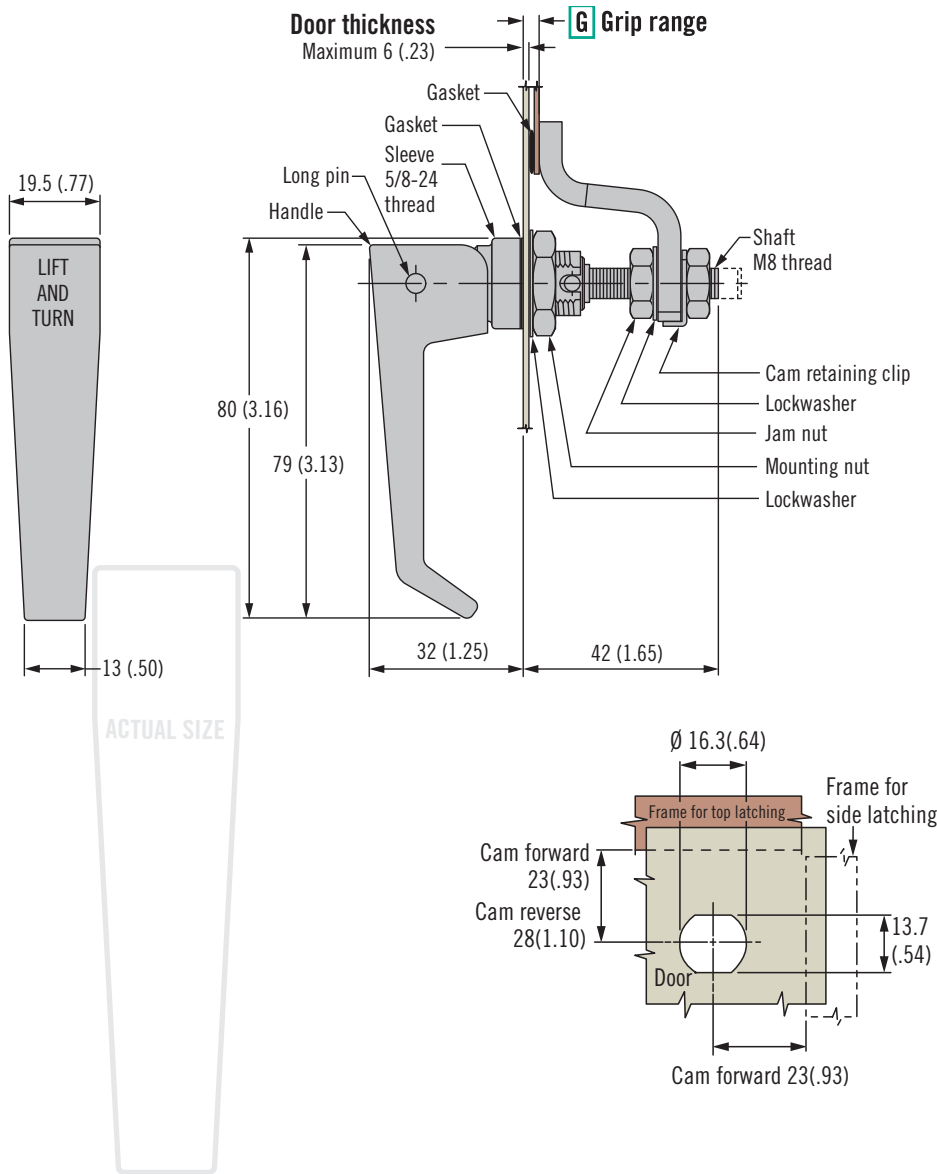


- F Finish**
- 1 Polished chrome
 - 2 Brushed chrome
 - 3 Natural with chemical protective film
 - 5 Black powder coated

G Grip	Minimum	Maximum	Cam Type
1	42 (1.66)	52 (2.05)	Deep offset cam, reversed
	2 (.08)	12 (.47)	Offset cam, forward
2	32 (1.25)	42 (1.66)	Offset cam, reversed
	12 (.47)	22 (.87)	Shallow offset cam, forward
3	22 (.87)	32 (1.25)	Shallow offset cam, reversed

62 Compression Latch

Lift & turn series · Handle style · Adjustable grip



- Easy grip adjustment
- Intuitive operation

Material and Finish

Zinc alloy, powder coated or chrome plated and steel, zinc plated

Performance Details

Maximum static load: 670 N (150 lbf)
 Compression: 5 mm (.19 in)

Notes

Larger sizes available, visit www.southco.com/62

Part Number Selection

See table

62 - 30 - G F

F Finish
 1 Polished chrome
 2 Brushed chrome
 5 Black powder coated

G Grip	Minimum	Maximum	Cam Type
1	0 (0)	5 (.20)	Deep offset cam, forward
	45 (1.77)	55 (2.16)	Deep offset cam, reversed
2	5 (.20)	15 (.59)	Offset cam, forward
	35 (1.37)	45 (1.77)	Offset cam, reversed
3	15 (.59)	25 (.98)	Shallow forward
	25 (.98)	35 (1.37)	Shallow reversed