



47 Captive Screws

Styled knob series · M3 thread size

- Smooth knob meets UL-1950
- Designed for hand operation
- Spring ejected
- Wide variety of sizes, recesses and installation options

Material and Finish

Ferrule:

Press-in: Hardened carbon steel, zinc plated, chromate, plus sealer

Flare-in and Floating:

Aluminum, natural

P.C. board style: 300 Series stainless steel, passivated

Knob:

Aluminum, natural or black powder coated

Screw: Hardened carbon steel, zinc plated, chromate, plus sealer

Installation Notes

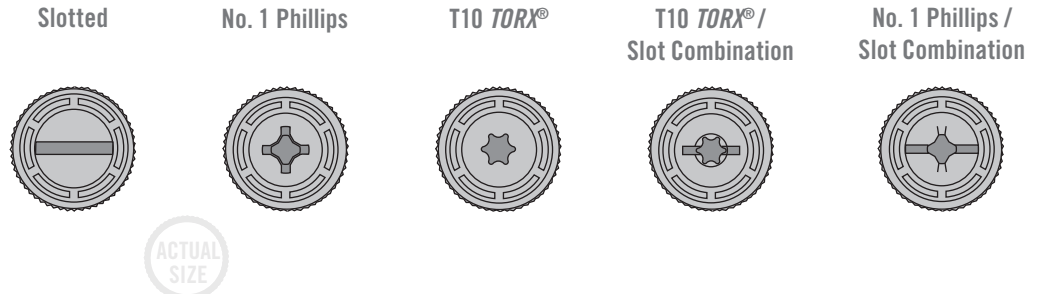
See pages 546-547, 627

Notes



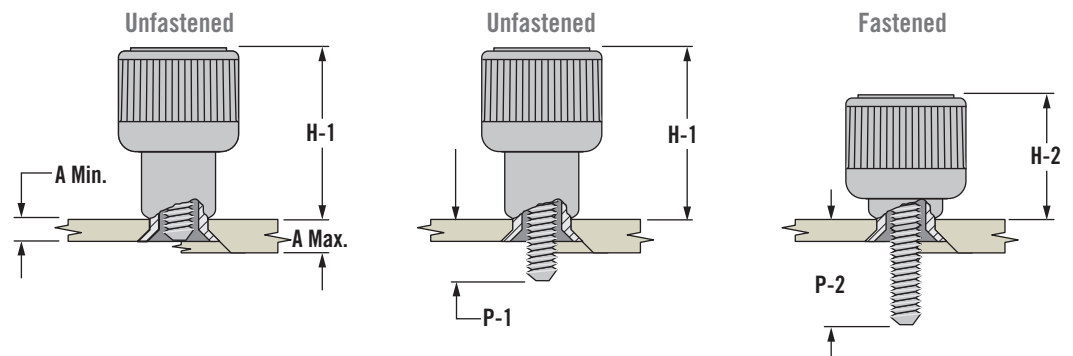
To ensure you receive **SOUTHCO**® quality parts, look for the segmented circle

Recess Styles

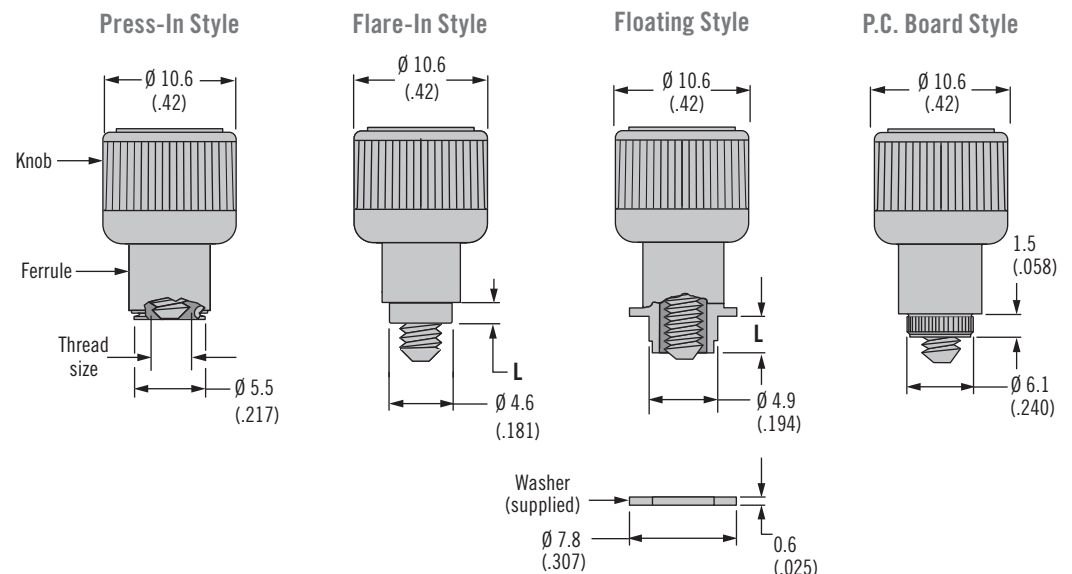


Knob Height and Screw Projection

(Flare-in style shown)



Installation Styles

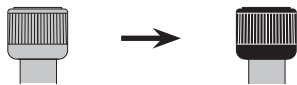


TORX® is a registered trademark of CAMCAR Innovations

Dimensions in millimeters (inch) unless otherwise stated

| Installation Style | Knob Height | | Outer Panel Dimensions | | B | Total Float | Flange Length L | Screw Projection Beyond Outer Surface of Panel | | Part Number | | | | |
|--------------------|-------------|--------------|------------------------|------------|--------------|--------------|-----------------|--|--------------|----------------|-----------------|--------------|--------------------------|-----------------------------|
| | H-1 | H-2 | A Min. | A Max. | | | | P-1 | P-2 | Slotted Recess | Phillips Recess | TORX® Recess | TORX® / Slot Combination | Phillips / Slot Combination |
| Press-In Style | 11.3 (.45) | 8.3 (.33) | 0.9 (.036) | ~ | ~ | 0.7 (.03) | ~ | 0.8 (.03) | 3.8 (.15) | 47-90-101-24 | 47-90-121-24 | 47-90-141-24 | 47-90-161-20 | 47-90-181-24 |
| | | | | | | | | 2.5 (.10) | 5.5 (.22) | 47-91-101-24 | 47-91-121-24 | 47-91-141-24 | 47-91-161-20 | 47-91-181-24 |
| | | | | | | | | 4 (.16) | 7 (.28) | 47-92-101-24 | 47-92-121-24 | 47-92-141-24 | 47-92-161-20 | 47-92-181-24 |
| | | | | | | | | 5.6 (.22) | 8.6 (.34) | 47-93-101-24 | 47-93-121-24 | 47-93-141-24 | 47-93-161-20 | 47-93-181-24 |
| P.C. Board Style | 11.5 (.45) | 8.3 (.33) | 1.6 (.061) | ~ | ~ | 0.7 (.03) | ~ | 1.5 (.06) | 4.5 (.18) | 47-95-101-34 | 47-95-121-34 | 47-95-141-34 | 47-95-161-30 | 47-95-181-34 |
| Flare-In Style | 11.5 (.45) | 8.1 (.32) | 0.8 (.031) | 1.5 (.058) | 0.4 (.015) | 0.7 (.03) | 1.0 (.041) | 0.8 (.03) | 4 (.16) | 47-80-101-14 | 47-80-121-14 | 47-80-141-14 | 47-80-161-10 | 47-80-181-14 |
| | | | 1.5 (.059) | 2.5 (.098) | 0.4 (.015) | | 1.8 (.070) | 1.5 (.06) | 4.7 (.19) | 47-80-102-14 | 47-80-122-14 | 47-80-142-14 | 47-80-162-10 | 47-80-182-14 |
| | | | 2.5 (.098) | 4 (.156) | 0.8 (.031) | | 2.6 (.104) | 2.5 (.10) | 5.7 (.22) | 47-80-103-14 | 47-80-123-14 | 47-80-143-14 | 47-80-163-10 | 47-80-183-14 |
| | | | 4 (.157) | 5.6 (.219) | 2.4 (.093) | | 4.2 (.166) | 4 (.16) | 7.2 (.28) | 47-80-105-14 | 47-80-125-14 | 47-80-145-14 | 47-80-165-10 | 47-80-185-14 |
| | | | 5.6 (.220) | 7.1 (.281) | 4 (.156) | | 5.8 (.299) | 5.6 (.22) | 8.8 (.35) | 47-80-107-14 | 47-80-127-14 | 47-80-147-14 | 47-80-167-10 | 47-80-187-14 |
| | | | 0.8 (.031) | 1.5 (.058) | 0.4 (.015) | | 1.0 (.041) | 2.5 (.10) | 5.7 (.22) | 47-81-101-14 | 47-81-121-14 | 47-81-141-14 | 47-81-161-10 | 47-81-181-14 |
| | | | 4 (.16) | 7.2 (.28) | 47-82-101-14 | | 47-82-121-14 | 47-82-141-14 | 47-82-161-10 | 47-82-181-14 | | | | |
| | | | 5.6 (.22) | 8.8 (.35) | 47-83-101-14 | | 47-83-121-14 | 47-83-141-14 | 47-83-161-10 | 47-83-181-14 | | | | |
| | | | 3.2 (.13) | 6.4 (.25) | 47-81-102-14 | | 47-81-122-14 | 47-81-142-14 | 47-81-162-10 | 47-81-182-14 | | | | |
| | | | 4.7 (.19) | 7.9 (.31) | 47-82-102-14 | | 47-82-122-14 | 47-82-142-14 | 47-82-162-10 | 47-82-182-14 | | | | |
| | | | 6.3 (.25) | 9.5 (.37) | 47-83-102-14 | | 47-83-122-14 | 47-83-142-14 | 47-83-162-10 | 47-83-182-14 | | | | |
| | | | Floating Style | 11.4 (.45) | 8.6 (.34) | | ~ | 0.8 (.031) | 2 (.080) | 2.0 (.08) | 2.6 (.101) | 1.9 (.07) | 5.1 (.20) | 47-80-110-14 |
| 3.4 (.13) | 6.6 (.26) | 47-81-110-14 | | | | 47-81-130-14 | 47-81-150-14 | 47-81-170-10 | 47-81-190-14 | | | | | |
| 5 (.19) | 8.2 (.32) | 47-82-110-14 | | | | 47-82-130-14 | 47-82-150-14 | 47-82-170-10 | 47-82-190-14 | | | | | |
| 1.9 (.07) | 5.1 (.20) | 47-80-111-14 | | | | 47-80-131-14 | 47-80-151-14 | 47-80-171-10 | 47-80-191-14 | | | | | |
| 3.4 (.13) | 6.6 (.26) | 47-81-111-14 | | | | 47-81-131-14 | 47-81-151-14 | 47-81-171-10 | 47-81-191-14 | | | | | |
| 5 (.19) | 8.2 (.32) | 47-82-111-14 | | | | 47-82-131-14 | 47-82-151-14 | 47-82-171-10 | 47-82-191-14 | | | | | |
| 3.4 (.13) | 6.6 (.26) | 47-80-112-14 | | | | 47-80-132-14 | 47-80-152-14 | 47-80-172-10 | 47-80-192-14 | | | | | |
| 5 (.19) | 8.2 (.32) | 47-81-112-14 | | | | 47-81-132-14 | 47-81-152-14 | 47-81-172-10 | 47-81-192-14 | | | | | |

Part numbers in shaded rows (shown in table) are fully retracting in minimum panel thickness



To add a black powder coated finish, change the part number from the table as shown:

- Change 1 to 5: 47-80-102-14
47-80-102-54
- Change 2 to 6: 47-80-102-24
47-80-102-64
- Change 3 to 7: 47-80-102-34
47-80-102-74



For a smooth knob, change the part number from the table as shown:

- Change 0 to 1: 47-90-161-20
47-90-161-21
- Change 4 to 5: 47-90-101-24
47-90-101-25

Part Number

See table

All screw part numbers shown in table are for a natural knob finish and a knurled knob

For black finish and smooth knob options, minimums may apply

TORX® is a registered trademark of CAMCAR Innovations



47 Captive Screws

Styled knob series · M3.5 thread size

- Smooth knob meets UL-1950
- Designed for hand operation
- Spring ejected
- Wide variety of sizes, recesses and installation options

Material and Finish

Ferrule:

Press-in: Hardened carbon steel, zinc plate, chromate, plus sealer
P.C. board: 300 Series stainless steel, passivated

Flare-in, floating and snap-in: Aluminum, natural

Knob: Aluminum, natural or black powder coated

Screw: Hardened carbon steel, zinc plated, chromate, plus sealer

Installation Notes

See pages 546-547, 627

Notes



To ensure you receive **SOUTHCO**® quality parts, look for the segmented circle

Recess Styles

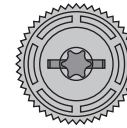
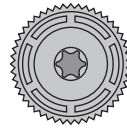
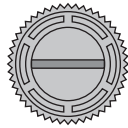
Slotted

No. 2 Phillips

T15 TORX®

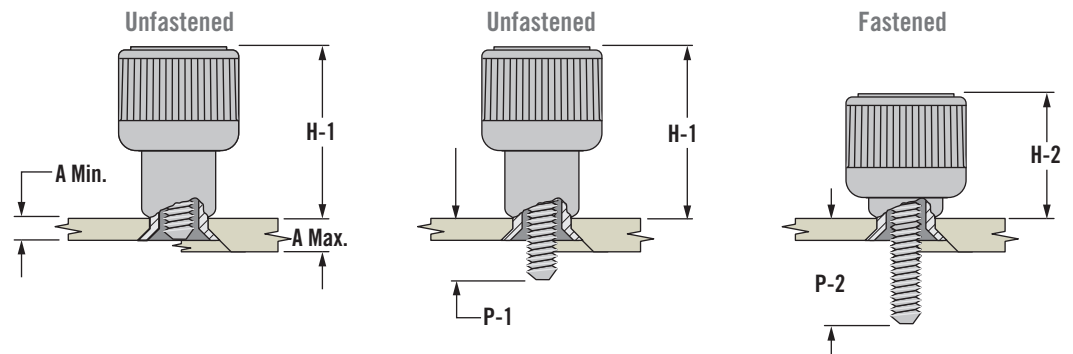
T15 TORX® /
Slot Combination

No. 2 Phillips /
Slot Combination

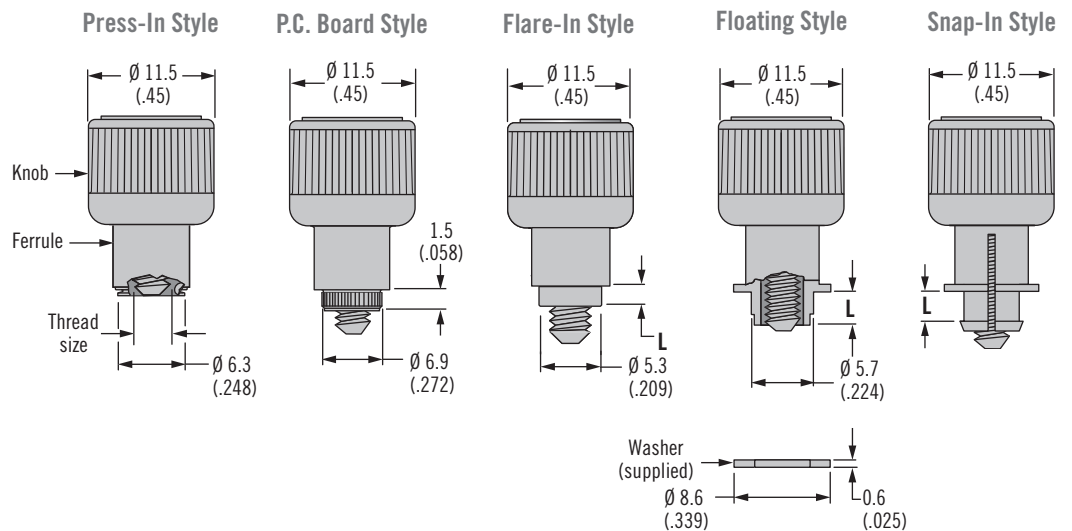


Knob Height and Screw Projection

(Flare-in style shown)



Installation Styles



TORX® is a registered trademark of CAMCAR Innovations

Dimensions in millimeters (inch) unless otherwise stated

| Installation Style | Knob Height | | Outer Panel Dimensions | | B | Total Float | Flange Length L | Screw Projection Beyond Outer Surface of Panel | | Part Number | | | | |
|--------------------|-------------|------------|------------------------|------------|------------|-------------|-----------------|--|------------|----------------|-----------------|--------------|--------------------------|-----------------------------|
| | H-1 | H-2 | A Min. | A Max. | | | | P-1 | P-2 | Slotted Recess | Phillips Recess | TORX® Recess | TORX® / Slot Combination | Phillips / Slot Combination |
| Press-In Style | 15.9 (.63) | 11.2 (.44) | 0.9 (.036) | ~ | ~ | 0.8 (.03) | ~ | 0.5 (.02) | 5.3 (.21) | 47-90-201-24 | 47-90-221-24 | 47-90-241-24 | 47-90-261-20 | 47-90-281-24 |
| | | | | | | | | 2.1 (.09) | 6.9 (.27) | 47-91-201-24 | 47-91-221-24 | 47-91-241-24 | 47-91-261-20 | 47-91-281-24 |
| | | | | | | | | 3.7 (.15) | 8.5 (.33) | 47-92-201-24 | 47-92-221-24 | 47-92-241-24 | 47-92-261-20 | 47-92-281-24 |
| | | | | | | | | 5.3 (.21) | 10.1 (.40) | 47-93-201-24 | 47-93-221-24 | 47-93-241-24 | 47-93-261-20 | 47-93-281-24 |
| P.C. Board Style | 14.8 (.58) | 10 (.39) | 1.6 (.061) | ~ | ~ | 0.8 (.03) | ~ | 1.4 (.06) | 6.2 (.24) | 47-95-201-34 | 47-95-221-34 | 47-95-241-34 | 47-95-261-30 | 47-95-281-34 |
| Flare-In Style | 15.3 (.60) | 10.4 (.41) | 1.5 (.058) | 3.2 (.125) | 0.4 (.015) | 0.8 (.03) | 1.8 (.07) | 1.1 (.04) | 6 (.24) | 47-80-202-14 | 47-80-222-14 | 47-80-242-14 | 47-80-262-10 | 47-80-282-14 |
| | | | 3.2 (.126) | 4.8 (.189) | 1.6 (.062) | | 3.4 (.135) | 2.7 (.11) | 7.6 (.30) | 47-80-204-14 | 47-80-224-14 | 47-80-244-14 | 47-80-264-10 | 47-80-284-14 |
| | | | 4.8 (.188) | 6.4 (.250) | 3.2 (.125) | | 5 (.197) | 4.3 (.17) | 9.2 (.36) | 47-80-206-14 | 47-80-226-14 | 47-80-246-14 | 47-80-266-10 | 47-80-286-14 |
| | | | 6.4 (.252) | 7.9 (.312) | 4.8 (.189) | | 6.6 (.26) | 5.9 (.23) | 10.8 (.43) | 47-80-208-14 | 47-80-228-14 | 47-80-248-14 | 47-80-268-10 | 47-80-288-14 |
| | | | 1.5 (.058) | 3.2 (.125) | 0.4 (.015) | | 1.8 (.07) | 2.7 (.11) | 7.6 (.30) | 47-81-202-14 | 47-81-222-14 | 47-81-242-14 | 47-81-262-10 | 47-81-282-14 |
| | | | 3.2 (.126) | 4.8 (.189) | 1.6 (.062) | | 1.8 (.07) | 4.3 (.17) | 9.2 (.36) | 47-82-202-14 | 47-82-222-14 | 47-82-242-14 | 47-82-262-10 | 47-82-282-14 |
| | | | 4.8 (.188) | 6.4 (.250) | 3.2 (.125) | | 1.8 (.07) | 5.9 (.23) | 10.8 (.43) | 47-83-202-14 | 47-83-222-14 | 47-83-242-14 | 47-83-262-10 | 47-83-282-14 |
| | | | 6.4 (.252) | 7.9 (.312) | 4.8 (.189) | | 3.4 (.135) | 4.3 (.17) | 9.2 (.36) | 47-81-204-14 | 47-81-224-14 | 47-81-244-14 | 47-81-264-10 | 47-81-284-14 |
| | | | 1.5 (.058) | 3.2 (.125) | 0.4 (.015) | | 3.4 (.135) | 5.9 (.23) | 10.8 (.43) | 47-82-204-14 | 47-82-224-14 | 47-82-244-14 | 47-82-264-10 | 47-82-284-14 |
| | | | 4.8 (.189) | 6.4 (.250) | 3.2 (.125) | | 5 (.197) | 5.9 (.23) | 10.8 (.43) | 47-81-206-14 | 47-81-226-14 | 47-81-246-14 | 47-81-266-10 | 47-81-286-14 |
| Floating Style | 15.4 (.60) | 10.6 (.42) | ~ | 0.8 (.031) | 2.1 (.083) | 2.2 (.09) | 2.9 (.113) | 2.4 (.09) | 7.2 (.28) | 47-80-210-14 | 47-80-230-14 | 47-80-250-14 | 47-80-270-10 | 47-80-290-14 |
| | | | 0.8 (.031) | 1.6 (.063) | 2.9 (.114) | | 2.9 (.113) | 4 (.16) | 8.8 (.35) | 47-81-210-14 | 47-81-230-14 | 47-81-250-14 | 47-81-270-10 | 47-81-290-14 |
| | | | 1.6 (.063) | 2.4 (.094) | 3.7 (.146) | | 2.9 (.113) | 5.6 (.22) | 10.4 (.41) | 47-82-210-14 | 47-82-230-14 | 47-82-250-14 | 47-82-270-10 | 47-82-290-14 |
| | | | 0.8 (.031) | 1.6 (.063) | 2.9 (.114) | | 3.7 (.144) | 2.4 (.09) | 7.2 (.28) | 47-80-211-14 | 47-80-231-14 | 47-80-251-14 | 47-80-271-10 | 47-80-291-14 |
| | | | 1.6 (.063) | 2.4 (.094) | 3.7 (.146) | | 3.7 (.144) | 4 (.16) | 8.8 (.35) | 47-81-211-14 | 47-81-231-14 | 47-81-251-14 | 47-81-271-10 | 47-81-291-14 |
| | | | 0.8 (.031) | 1.6 (.063) | 2.9 (.114) | | 3.7 (.144) | 5.6 (.22) | 10.4 (.41) | 47-82-211-14 | 47-82-231-14 | 47-82-251-14 | 47-82-271-10 | 47-82-291-14 |
| | | | 1.6 (.063) | 2.4 (.094) | 3.7 (.146) | | 4.5 (.176) | 4 (.16) | 8.8 (.35) | 47-80-212-14 | 47-80-232-14 | 47-80-252-14 | 47-80-272-10 | 47-80-292-14 |
| | | | 0.8 (.031) | 1.6 (.063) | 2.9 (.114) | | 4.5 (.176) | 5.6 (.22) | 10.4 (.41) | 47-81-212-14 | 47-81-232-14 | 47-81-252-14 | 47-81-272-10 | 47-81-292-14 |
| Snap-In Style | 15.4 (.60) | 10.6 (.42) | 0.5 (.02) | 1 (.039) | 2 (.079) | 0.8 (.03) | 1.1 (.044) | 0.8 (.03) | 5.6 (.22) | 47-90-210-14 | 47-90-230-14 | 47-90-250-14 | 47-90-270-10 | 47-90-290-14 |
| | | | 1 (.039) | 1.6 (.063) | 2.6 (.103) | | 1.1 (.044) | 2.4 (.09) | 7.2 (.28) | 47-91-210-14 | 47-91-230-14 | 47-91-250-14 | 47-91-270-10 | 47-91-290-14 |
| | | | 0.5 (.02) | 1 (.039) | 2 (.079) | | 1.1 (.044) | 4 (.16) | 8.8 (.35) | 47-92-210-14 | 47-92-230-14 | 47-92-250-14 | 47-92-270-10 | 47-92-290-14 |
| | | | 1 (.039) | 1.6 (.063) | 2.6 (.103) | | 1.1 (.044) | 5.6 (.22) | 10.4 (.41) | 47-93-210-14 | 47-93-230-14 | 47-93-250-14 | 47-93-270-10 | 47-93-290-14 |
| | | | 0.5 (.02) | 1 (.039) | 2 (.079) | | 1.7 (.067) | 2.4 (.09) | 7.2 (.28) | 47-90-212-14 | 47-90-232-14 | 47-90-252-14 | 47-90-272-10 | 47-90-292-14 |
| | | | 1 (.039) | 1.6 (.063) | 2.6 (.103) | | 1.7 (.067) | 4 (.16) | 8.8 (.35) | 47-91-212-14 | 47-91-232-14 | 47-91-252-14 | 47-91-272-10 | 47-91-292-14 |
| | | | 0.5 (.02) | 1 (.039) | 2 (.079) | | 1.7 (.067) | 5.6 (.22) | 10.4 (.41) | 47-92-212-14 | 47-92-232-14 | 47-92-252-14 | 47-92-272-10 | 47-92-292-14 |
| | | | 1 (.039) | 1.6 (.063) | 2.6 (.103) | | 1.7 (.067) | 5.6 (.22) | 10.4 (.41) | 47-92-212-14 | 47-92-232-14 | 47-92-252-14 | 47-92-272-10 | 47-92-292-14 |

Part numbers in shaded rows (shown in table) are fully retracting in minimum panel thickness



To add a black powder coated finish, change the part number from the table as shown:

- Change 1 to 5: 47-80-102-14
- 47-80-102-54
- Change 2 to 6: 47-80-102-24
- 47-80-102-64
- Change 3 to 7: 47-80-102-34
- 47-80-102-74



For a smooth knob, change the part number from the table as shown:

- Change 0 to 1: 47-90-161-20
- 47-90-161-21
- Change 4 to 5: 47-90-101-24
- 47-90-101-25

Part Number

See table

All screw part numbers shown in table are for a natural knob finish and a knurled knob

For black finish and smooth knob options, minimums may apply



47 Captive Screws

Styled knob series · M4 thread size

- Designed for hand operation
- Spring ejected
- Wide variety of sizes, recesses and installation options

Material and Finish

Ferrule:

Press-in: Hardened carbon steel, zinc plate, chromate, plus sealer

Flare-in, floating and snap-in: Aluminum, natural

Knob: Aluminum, natural or black powder coated

Screw: Hardened carbon steel, zinc plated, chromate, plus sealer

Installation Notes

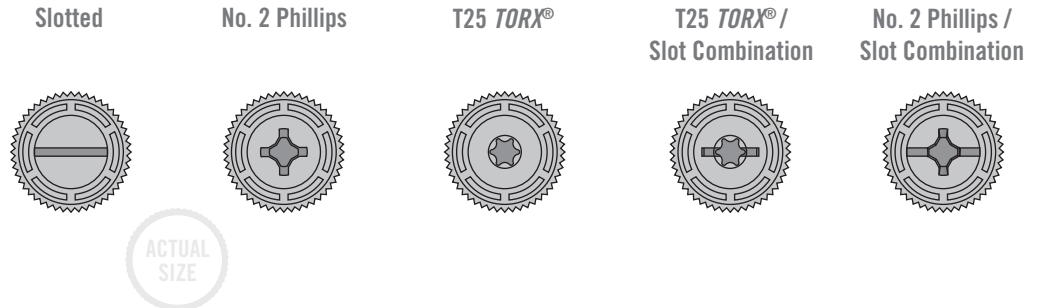
See pages 546-547, 627

Notes



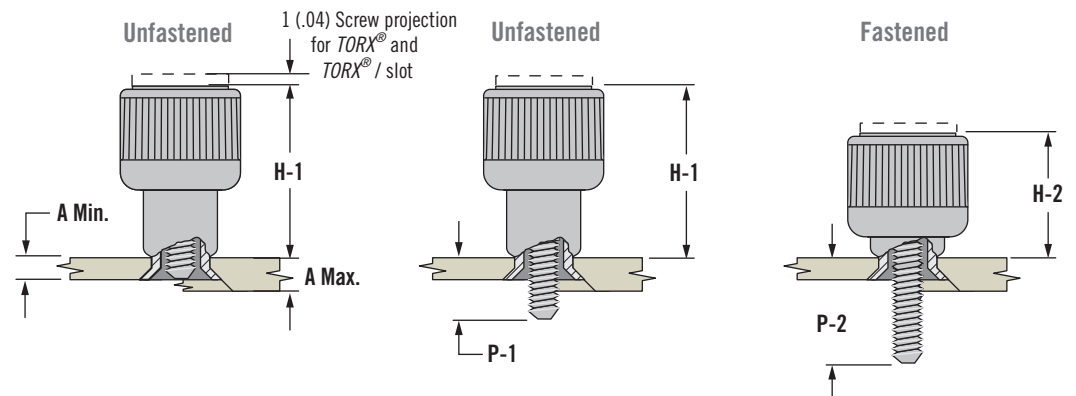
To ensure you receive **SOUTHCO**® quality parts, look for the segmented circle

Recess Styles

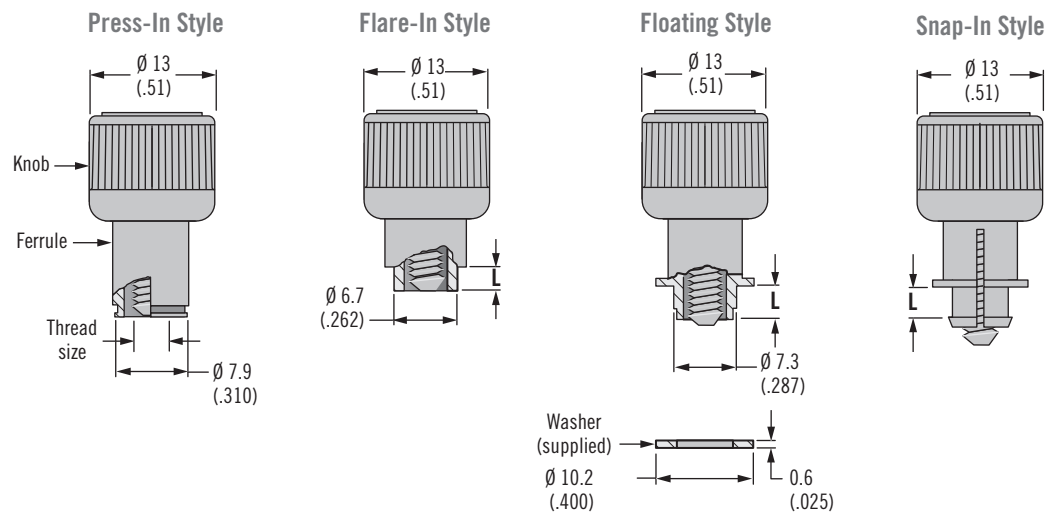


Knob Height and Screw Projection

(Flare-in style shown)



Installation Styles



TORX® is a registered trademark of CAMCAR Innovations

Dimensions in millimeters (inch) unless otherwise stated

| Installation Style | Knob Height | | Outer Panel Dimensions | | B | Total Float | Flange Length L | Screw Projection Beyond Outer Surface of Panel | | Part Number | | | | | | | | | | | |
|--------------------|-------------|--------------|------------------------|--------------|--------------|--------------|-----------------|--|--------------|----------------|-----------------|--------------|--------------------------|-----------------------------|-----------|--------------|--------------|--------------|--------------|--------------|--------------|
| | H-1 | H-2 | A Min. | A Max. | | | | P-1 | P-2 | Slotted Recess | Phillips Recess | TORX® Recess | TORX® / Slot Combination | Phillips / Slot Combination | | | | | | | |
| Press-In Style | 16.2 (.64) | 11.3 (.45) | 0.9 (.036) | ~ | ~ | 0.8 (.03) | ~ | 0.6 (.02) | 5.6 (.22) | 47-90-301-24 | 47-90-321-24 | 47-90-341-20 | 47-90-361-20 | 47-90-381-20 | | | | | | | |
| | | | | | | | | 2.2 (.09) | 7.2 (.28) | 47-91-301-24 | 47-91-321-24 | 47-91-341-20 | 47-91-361-20 | 47-91-381-20 | | | | | | | |
| | | | | | | | | 3.8 (.15) | 8.7 (.34) | 47-92-301-24 | 47-92-321-24 | 47-92-341-20 | 47-92-361-20 | 47-92-381-20 | | | | | | | |
| Flare-In Style | 15.6 (.61) | 10.5 (.41) | 1.5 (.058) | 3.2 (.125) | 0.4 (.015) | 0.9 (.03) | 1.8 (.070) | 1.2 (.05) | 6.3 (.25) | 47-80-302-14 | 47-80-322-14 | 47-80-342-10 | 47-80-362-10 | 47-80-382-10 | | | | | | | |
| | | | | | | | 3.4 (.135) | 2.8 (.11) | 7.9 (.31) | 47-80-304-14 | 47-80-324-14 | 47-80-344-10 | 47-80-364-10 | 47-80-384-10 | | | | | | | |
| | | | | | | | 5 (.197) | 4.4 (.17) | 9.5 (.37) | 47-80-306-14 | 47-80-326-14 | 47-80-346-10 | 47-80-366-10 | 47-80-386-10 | | | | | | | |
| | | | | | | | 6.6 (.26) | 6 (.24) | 11.1 (.44) | 47-80-308-14 | 47-80-328-14 | 47-80-348-10 | 47-80-368-10 | 47-80-388-10 | | | | | | | |
| | | | | | | | 1.8 (.07) | 2.8 (.11) | 7.9 (.31) | 47-81-302-14 | 47-81-322-14 | 47-81-342-10 | 47-81-362-10 | 47-81-382-10 | | | | | | | |
| | | | | | | | | 4.4 (.17) | 9.5 (.37) | 47-82-302-14 | 47-82-322-14 | 47-82-342-10 | 47-82-362-10 | 47-82-382-10 | | | | | | | |
| | | | | | | | 3.4 (.135) | 6 (.24) | 11.1 (.44) | 47-83-302-14 | 47-83-322-14 | 47-83-342-10 | 47-83-362-10 | 47-83-382-10 | | | | | | | |
| | | | | | | | | 4.4 (.17) | 9.5 (.37) | 47-81-304-14 | 47-81-324-14 | 47-81-344-10 | 47-81-364-10 | 47-81-384-10 | | | | | | | |
| | | | | | | | 5 (.197) | 6 (.24) | 11.1 (.44) | 47-82-304-14 | 47-82-324-14 | 47-82-344-10 | 47-82-364-10 | 47-82-384-10 | | | | | | | |
| | | | | | | | | 6 (.24) | 11.1 (.44) | 47-81-306-14 | 47-81-326-14 | 47-81-346-10 | 47-81-366-10 | 47-81-386-10 | | | | | | | |
| | | | | | | | Floating Style | 16.2 (.64) | 11.2 (.44) | ~ | 0.8 (.031) | 2.3 (.09) | 2.3 (.09) | 3.2 (.127) | 2.4 (.09) | 7.2 (.28) | 47-80-310-14 | 47-80-330-14 | 47-80-350-10 | 47-80-370-10 | 47-80-390-10 |
| | | | | | | | | | | | | | | 4 (.16) | 8.8 (.35) | 47-81-310-14 | 47-81-330-14 | 47-81-350-10 | 47-81-370-10 | 47-81-390-10 | |
| 5.6 (.22) | 10.4 (.41) | 47-82-310-14 | 47-82-330-14 | 47-82-350-10 | 47-82-370-10 | 47-82-390-10 | | | | | | | | | | | | | | | |
| 4 (158) | 2.4 (.09) | 7.2 (.28) | 47-80-311-14 | 47-80-331-14 | 47-80-351-10 | 47-80-371-10 | | | | 47-80-391-10 | | | | | | | | | | | |
| | 4 (.16) | 8.8 (.35) | 47-81-311-14 | 47-81-331-14 | 47-81-351-10 | 47-81-371-10 | | | | 47-81-391-10 | | | | | | | | | | | |
| | 5.6 (.22) | 10.4 (.41) | 47-82-311-14 | 47-82-331-14 | 47-82-351-10 | 47-82-371-10 | | | | 47-82-391-10 | | | | | | | | | | | |
| 4.8 (.190) | 4 (.16) | 7.2 (.28) | 47-80-312-14 | 47-80-332-14 | 47-80-352-10 | 47-80-372-10 | | | | 47-80-392-10 | | | | | | | | | | | |
| | 5.6 (.22) | 8.8 (.35) | 47-81-312-14 | 47-81-332-14 | 47-81-352-10 | 47-81-372-10 | | | | 47-81-392-10 | | | | | | | | | | | |
| | 1.1 (.04) | 5.6 (.22) | 47-90-310-14 | 47-90-330-14 | 47-90-350-10 | 47-90-370-10 | | | | 47-90-390-10 | | | | | | | | | | | |
| Snap-In Style | 15.7 (.62) | 11.2 (.44) | 0.5 (.02) | 1 (.039) | 2 (.079) | 0.9 (.03) | 1.1 (.044) | 2.7 (.11) | 7.2 (.28) | 47-91-310-14 | 47-91-330-14 | 47-91-350-10 | 47-91-370-10 | 47-91-390-10 | | | | | | | |
| | | | | | | | 4.3 (.17) | 8.8 (.35) | 47-92-310-14 | 47-92-330-14 | 47-92-350-10 | 47-92-370-10 | 47-92-390-10 | | | | | | | | |
| | | | | | | | 5.8 (.23) | 10.4 (.41) | 47-93-310-14 | 47-93-330-14 | 47-93-350-10 | 47-93-370-10 | 47-93-390-10 | | | | | | | | |
| | | | | | | | 2.7 (.11) | 7.2 (.28) | 47-90-312-14 | 47-90-332-14 | 47-90-352-10 | 47-90-372-10 | 47-90-392-10 | | | | | | | | |
| | | | | | | | 4.3 (.17) | 8.8 (.35) | 47-91-312-14 | 47-91-332-14 | 47-91-352-10 | 47-91-372-10 | 47-91-392-10 | | | | | | | | |
| | | | | | | | 5.9 (.23) | 10.4 (.41) | 47-92-312-14 | 47-92-332-14 | 47-92-352-10 | 47-92-372-10 | 47-92-392-10 | | | | | | | | |
| | | | 2.6 (.103) | 2.7 (.11) | 7.2 (.28) | | 47-90-314-14 | 47-90-334-14 | 47-90-354-10 | 47-90-374-10 | 47-90-394-10 | | | | | | | | | | |
| | | | | 4.3 (.17) | 8.8 (.35) | | 47-91-314-14 | 47-91-334-14 | 47-91-354-10 | 47-91-374-10 | 47-91-394-10 | | | | | | | | | | |
| | | | | 5.9 (.23) | 10.4 (.41) | | 47-92-314-14 | 47-92-334-14 | 47-92-354-10 | 47-92-374-10 | 47-92-394-10 | | | | | | | | | | |
| | | | | 1.1 (.04) | 5.6 (.22) | | 47-90-310-14 | 47-90-330-14 | 47-90-350-10 | 47-90-370-10 | 47-90-390-10 | | | | | | | | | | |
| | | | | 2.7 (.11) | 7.2 (.28) | | 47-91-310-14 | 47-91-330-14 | 47-91-350-10 | 47-91-370-10 | 47-91-390-10 | | | | | | | | | | |
| | | | | 4.3 (.17) | 8.8 (.35) | | 47-92-310-14 | 47-92-330-14 | 47-92-350-10 | 47-92-370-10 | 47-92-390-10 | | | | | | | | | | |

Part numbers in shaded rows (shown in table) are fully retracting in minimum panel thickness



To add a black powder coated finish, change the part number from the table as shown:

- Change 1 to 5: 47-80-102-14, 47-80-102-54
- Change 2 to 6: 47-80-102-24, 47-80-102-64



For a smooth knob, change the part number from the table as shown:

- Change 0 to 1: 47-90-161-20, 47-90-161-21
- Change 4 to 5: 47-90-101-24, 47-90-101-25

Part Number

See table

All screw part numbers shown in table are for a natural knob finish and a knurled knob

For black finish and smooth knob options, minimums may apply



47 Captive Screws

Styled knob series · M5 thread size

- Designed for hand operation
- Spring ejected
- Wide variety of sizes, recesses and installation options

Material and Finish

Ferrule:

Press-in: Hardened carbon steel, zinc plate, chromate, plus sealer

Flare-in, floating and snap-in: Aluminum, natural

Knob: Aluminum, natural or black powder coated

Screw: Hardened carbon steel, zinc plated, chromate, plus sealer

Installation Notes

See pages 546-547, 627

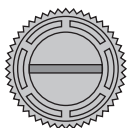
Notes



To ensure you receive **SOUTHCO®** quality parts, look for the segmented circle

Recess Styles

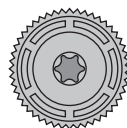
Slotted



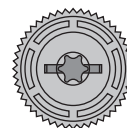
No. 2 Phillips



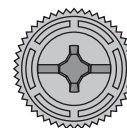
T25 TORX®



T25 TORX® /
Slot Combination

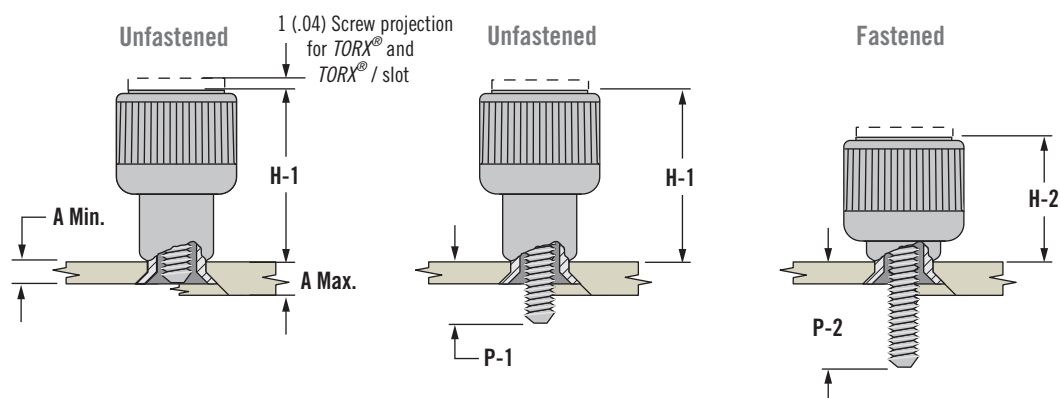


No. 2 Phillips /
Slot Combination

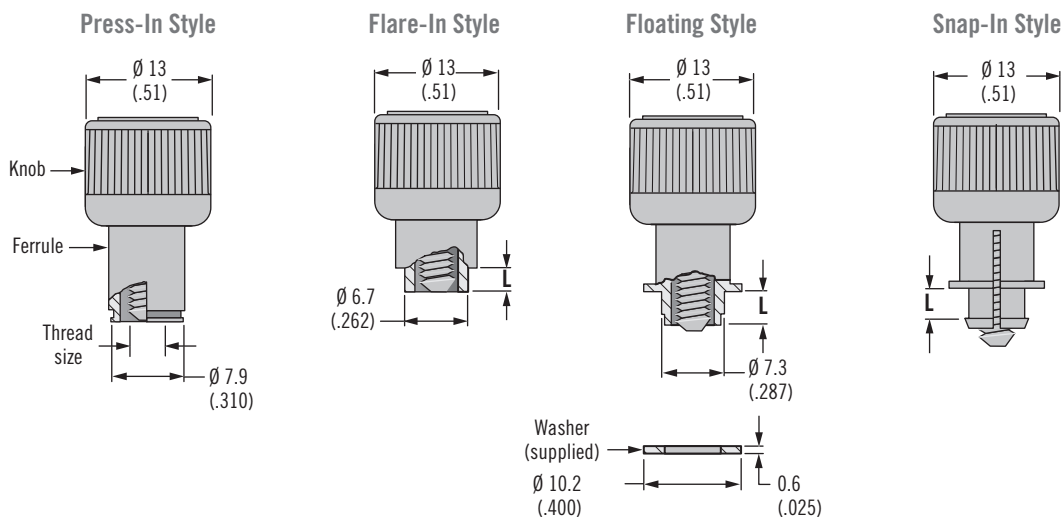


Knob Height and Screw Projection

(Flare-in style shown)



Installation Styles



TORX® is a registered trademark of CAMCAR Innovations

Dimensions in millimeters (inch) unless otherwise stated

| Installation Style | Knob Height | | Outer Panel Dimensions | | | Total Float | Flange Length L | Screw Projection Beyond Outer Surface of Panel | | Part Number | | | | | | | | |
|--------------------|-------------|------------|------------------------|------------|------------|-------------|-----------------|--|--------------|----------------|-----------------|--------------|--------------------------|-----------------------------|--------------|--------------|--------------|--------------|
| | H-1 | H-2 | A Min. | A Max. | B | | | P-1 | P-2 | Slotted Recess | Phillips Recess | TORX® Recess | TORX® / Slot Combination | Phillips / Slot Combination | | | | |
| Press-In Style | 16.2 (.64) | 11.3 (.45) | 0.9 (.036) | ~ | ~ | 0.6 (.02) | ~ | 0.6 (.024) | 5.5 (.22) | 47-90-501-24 | 47-90-521-24 | 47-90-541-20 | 47-90-561-20 | 47-90-581-20 | | | | |
| | | | | | | | | 2.2 (.087) | 7.1 (.28) | 47-91-501-24 | 47-91-521-24 | 47-91-541-20 | 47-91-561-20 | 47-91-581-20 | | | | |
| | | | | | | | | 3.8 (.15) | 8.7 (.34) | 47-92-501-24 | 47-92-521-24 | 47-92-541-20 | 47-92-561-20 | 47-92-581-20 | | | | |
| | | | | | | | | 5.4 (.21) | 10.3 (.41) | 47-93-501-24 | 47-93-521-24 | 47-93-541-20 | 47-93-561-20 | 47-93-581-20 | | | | |
| Flare-In Style | 15.6 (.61) | 10.5 (.41) | 1.5 (.058) | 3.2 (.125) | 0.4 (.015) | 0.6 (.02) | 1.8 (.070) | 1.2 (.05) | 6.3 (.25) | 47-80-502-14 | 47-80-522-14 | 47-80-542-10 | 47-80-562-10 | 47-80-582-10 | | | | |
| | | | 3.2 (.126) | 4.8 (.189) | 1.6 (.062) | | 3.4 (.135) | 2.8 (.11) | 7.9 (.31) | 47-80-504-14 | 47-80-524-14 | 47-80-544-10 | 47-80-564-10 | 47-80-584-10 | | | | |
| | | | 4.8 (.189) | 6.4 (.250) | 3.2 (.125) | | 5 (.197) | 4.4 (.17) | 9.5 (.37) | 47-80-506-14 | 47-80-526-14 | 47-80-546-10 | 47-80-566-10 | 47-80-586-10 | | | | |
| | | | 6.3 (.251) | 7.9 (.312) | 4.8 (.189) | | 6.6 (.260) | 6 (.24) | 11.1 (.44) | 47-80-508-14 | 47-80-528-14 | 47-80-548-10 | 47-80-568-10 | 47-80-588-10 | | | | |
| | | | 1.5 (.058) | 3.2 (.125) | 0.4 (.015) | | 1.8 (.070) | 2.8 (.11) | 7.9 (.31) | 47-81-502-14 | 47-81-522-14 | 47-81-542-10 | 47-81-562-10 | 47-81-582-10 | | | | |
| | | | 3.2 (.126) | 4.8 (.189) | 1.6 (.062) | | 3.4 (.135) | 4.4 (.17) | 9.5 (.37) | 47-82-502-14 | 47-82-522-14 | 47-82-542-10 | 47-82-562-10 | 47-82-582-10 | | | | |
| | | | 4.8 (.189) | 6.4 (.250) | 3.2 (.125) | | 5 (.197) | 6 (.24) | 11.1 (.44) | 47-83-502-14 | 47-83-522-14 | 47-83-542-10 | 47-83-562-10 | 47-83-582-10 | | | | |
| | | | 1.5 (.058) | 3.2 (.125) | 0.4 (.015) | | 1.8 (.070) | 4.4 (.17) | 9.5 (.37) | 47-81-504-14 | 47-81-524-14 | 47-81-544-10 | 47-81-564-10 | 47-81-584-10 | | | | |
| | | | 3.2 (.126) | 4.8 (.189) | 1.6 (.062) | | 3.4 (.135) | 6 (.24) | 11.1 (.44) | 47-82-504-14 | 47-82-524-14 | 47-82-544-10 | 47-82-564-10 | 47-82-584-10 | | | | |
| | | | 4.8 (.189) | 6.4 (.250) | 3.2 (.125) | | 5 (.197) | 6 (.24) | 11.1 (.44) | 47-81-506-14 | 47-81-526-14 | 47-81-546-10 | 47-81-566-10 | 47-81-586-10 | | | | |
| | | | Floating Style | 16 (.63) | 11.2 (.44) | | ~ | 0.8 (.031) | 2.3 (.090) | 2.3 (.09) | 3.2 (.127) | 2.4 (.09) | 7.2 (.28) | 47-80-510-14 | 47-80-530-14 | 47-80-550-10 | 47-80-570-10 | 47-80-590-10 |
| | | | | | | | 0.8 (.031) | 1.6 (.063) | 3.1 (.121) | | 4 (.158) | 4 (.16) | 8.8 (.35) | 47-81-510-14 | 47-81-530-14 | 47-81-550-10 | 47-81-570-10 | 47-81-590-10 |
| 1.6 (.063) | 2.4 (.094) | 3.9 (.153) | | | | 4 (.158) | 5.6 (.22) | 10.4 (.41) | 47-82-510-14 | | 47-82-530-14 | 47-82-550-10 | 47-82-570-10 | 47-82-590-10 | | | | |
| ~ | 0.8 (.031) | 2.3 (.090) | | | | 4 (.158) | 2.4 (.09) | 7.2 (.28) | 47-80-511-14 | | 47-80-531-14 | 47-80-551-10 | 47-80-571-10 | 47-80-591-10 | | | | |
| 0.8 (.031) | 1.6 (.063) | 3.1 (.121) | | | | 4 (.158) | 4 (.16) | 8.8 (.35) | 47-81-511-14 | | 47-81-531-14 | 47-81-551-10 | 47-81-571-10 | 47-81-591-10 | | | | |
| 1.6 (.063) | 2.4 (.094) | 3.9 (.153) | | | | 4 (.158) | 5.6 (.22) | 10.4 (.41) | 47-82-511-14 | | 47-82-531-14 | 47-82-551-10 | 47-82-571-10 | 47-82-591-10 | | | | |
| ~ | 0.8 (.031) | 2.3 (.090) | | | | 4.8 (.190) | 4 (.16) | 8.8 (.35) | 47-80-512-14 | | 47-80-532-14 | 47-80-552-10 | 47-80-572-10 | 47-80-592-10 | | | | |
| 0.8 (.031) | 1.6 (.063) | 3.1 (.121) | | | | 4.8 (.190) | 5.6 (.22) | 10.4 (.41) | 47-81-512-14 | | 47-81-532-14 | 47-81-552-10 | 47-81-572-10 | 47-81-592-10 | | | | |
| 1.6 (.063) | 2.4 (.094) | 3.9 (.153) | | | | 4.8 (.190) | 4 (.16) | 8.8 (.35) | 47-80-510-14 | | 47-80-530-14 | 47-80-550-10 | 47-80-570-10 | 47-80-590-10 | | | | |
| 0.5 (.020) | 1 (.039) | 2 (.079) | | | | 1.1 (.044) | 1.1 (.04) | 5.6 (.22) | 47-90-510-14 | | 47-90-530-14 | 47-90-550-10 | 47-90-570-10 | 47-90-590-10 | | | | |
| 1 (.039) | 1.6 (.063) | 2.6 (.103) | | | | 1.1 (.044) | 1.1 (.044) | 2.7 (.11) | 7.2 (.28) | | 47-91-510-14 | 47-91-530-14 | 47-91-550-10 | 47-91-570-10 | 47-91-590-10 | | | |
| 1.6 (.063) | 2.5 (.098) | 3.5 (.138) | | | | 1.1 (.044) | 1.1 (.044) | 4.3 (.17) | 8.8 (.35) | | 47-92-510-14 | 47-92-530-14 | 47-92-550-10 | 47-92-570-10 | 47-92-590-10 | | | |
| 0.5 (.020) | 1 (.039) | 2 (.079) | 1.7 (.068) | 1.7 (.068) | 5.9 (.23) | 10.4 (.41) | 47-93-510-14 | 47-93-530-14 | 47-93-550-10 | 47-93-570-10 | 47-93-590-10 | | | | | | | |
| 1 (.039) | 1.6 (.063) | 2.6 (.103) | 1.7 (.068) | 1.7 (.068) | 2.7 (.11) | 7.2 (.28) | 47-90-512-14 | 47-90-532-14 | 47-90-552-10 | 47-90-572-10 | 47-90-592-10 | | | | | | | |
| 1.6 (.063) | 2.5 (.098) | 3.5 (.138) | 1.7 (.068) | 1.7 (.068) | 4.3 (.17) | 8.8 (.35) | 47-91-512-14 | 47-91-532-14 | 47-91-552-10 | 47-91-572-10 | 47-91-592-10 | | | | | | | |
| 0.5 (.020) | 1 (.039) | 2 (.079) | 2.6 (.103) | 2.6 (.103) | 5.9 (.23) | 10.4 (.41) | 47-92-512-14 | 47-92-532-14 | 47-92-552-10 | 47-92-572-10 | 47-92-592-10 | | | | | | | |
| 1 (.039) | 1.6 (.063) | 2.6 (.103) | 2.6 (.103) | 2.6 (.103) | 2.7 (.11) | 7.2 (.28) | 47-90-514-14 | 47-90-534-14 | 47-90-554-10 | 47-90-574-10 | 47-90-594-10 | | | | | | | |
| 1.6 (.063) | 2.5 (.098) | 3.5 (.138) | 2.6 (.103) | 2.6 (.103) | 4.3 (.17) | 8.8 (.35) | 47-91-514-14 | 47-91-534-14 | 47-91-554-10 | 47-91-574-10 | 47-91-594-10 | | | | | | | |
| 0.5 (.020) | 1 (.039) | 2 (.079) | 2.6 (.103) | 2.6 (.103) | 5.9 (.23) | 10.4 (.41) | 47-92-514-14 | 47-92-534-14 | 47-92-554-10 | 47-92-574-10 | 47-92-594-10 | | | | | | | |

Part numbers in shaded rows (shown in table) are fully retracting in minimum panel thickness



To add a black powder coated finish, change the part number from the table as shown:

- Change 1 to 5: 47-80-102-14
47-80-102-54
- Change 2 to 6: 47-80-102-24
47-80-102-64



For a smooth knob, change the part number from the table as shown:

- Change 0 to 1: 47-90-161-20
47-90-161-21
- Change 4 to 5: 47-90-101-24
47-90-101-25

Part Number

See table

All screw part numbers shown in table are for a natural knob finish and a knurled knob

For black finish and smooth knob options, minimums may apply



47 Captive Screws

Styled knob series · M6 thread size

- Designed for hand operation
- Spring ejected
- Wide variety of sizes, recesses and installation options

Material and Finish

Ferrule:

Press-in: Hardened carbon steel, zinc plate, chromate, plus sealer

Flare-in and Floating:

Aluminum, natural


Knob: Aluminum, natural or black powder coated

Screw: Hardened carbon steel, zinc plated, chromate, plus sealer

Installation Notes

See pages 546-547, 627

Notes

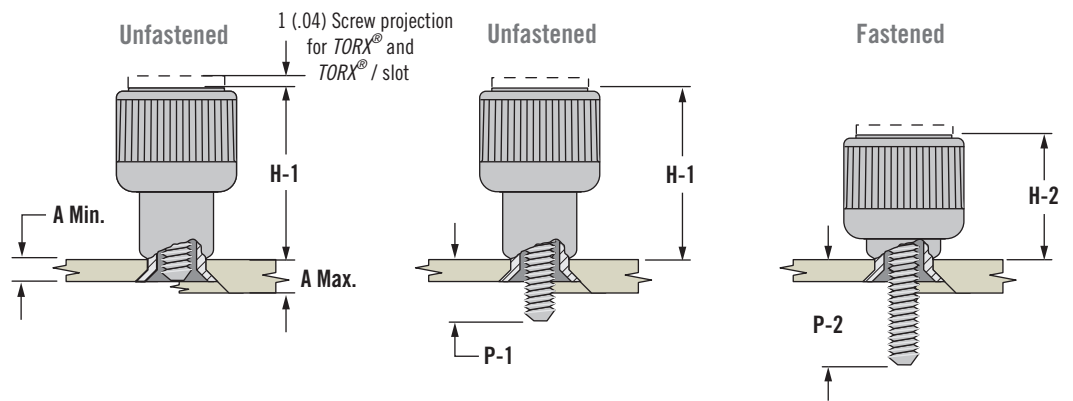
 To ensure you receive **SOUTHCO®** quality parts, look for the segmented circle

Recess Styles

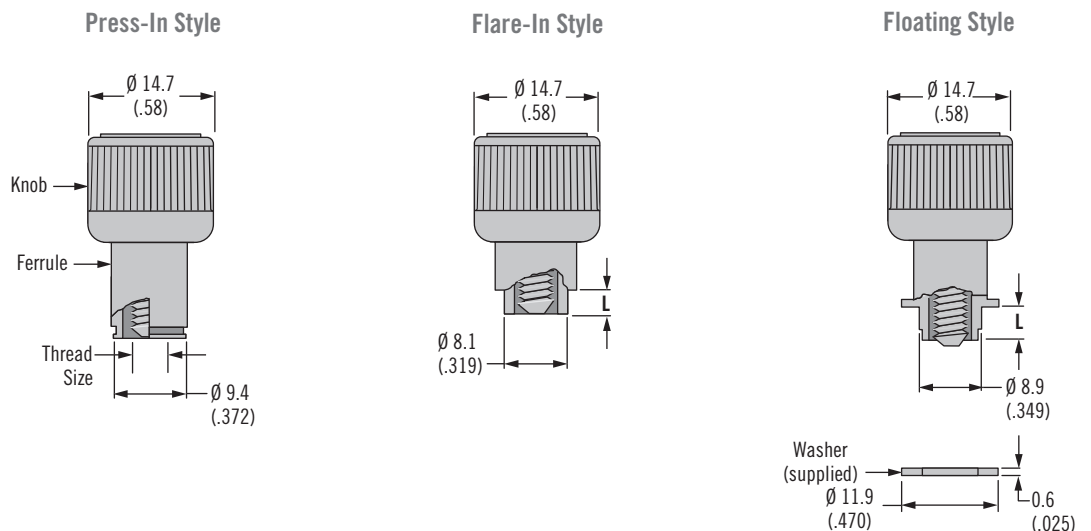


Knob Height and Screw Projection

(Flare-in style shown)



Installation Styles



TORX® is a registered trademark of CAMCAR Innovations

Dimensions in millimeters (inch) unless otherwise stated

| Installation Style | Knob Height | | Outer Panel Dimensions | | B | Total Float | Flange Length L | Screw Projection Beyond Outer Surface of Panel | | Part Number | | | | | | | | |
|--------------------|-------------|--------------|------------------------|------------|--------------|--------------|-----------------|--|--------------|----------------|-----------------|--------------|--------------------------|-----------------------------|--------------|--------------|--------------|--------------|
| | H-1 | H-2 | A Min. | A Max. | | | | P-1 | P-2 | Slotted Recess | Phillips Recess | TORX® Recess | TORX® / Slot Combination | Phillips / Slot Combination | | | | |
| Press-In Style | 20 (.79) | 13.4 (.53) | 0.9 (.036) | ~ | ~ | 0.8 (.03) | ~ | 0.5 (.02) | 7.1 (.28) | 47-90-601-24 | 47-90-621-24 | 47-90-641-20 | 47-90-661-20 | 47-90-681-20 | | | | |
| | | | | | | | | 2.1 (.08) | 8.7 (.34) | 47-91-601-24 | 47-91-621-24 | 47-91-641-20 | 47-91-661-20 | 47-91-681-20 | | | | |
| | | | | | | | | 3.7 (.15) | 10.3 (.41) | 47-92-601-24 | 47-92-621-24 | 47-92-641-20 | 47-92-661-20 | 47-92-681-20 | | | | |
| | | | | | | | | 5.3 (.21) | 11.9 (.47) | 47-93-601-24 | 47-93-621-24 | 47-93-641-20 | 47-93-661-20 | 47-93-681-20 | | | | |
| Flare-In Style | 19.3 (.76) | 12.7 (.50) | 1.5 (.058) | 3.2 (.125) | 0.4 (.015) | 0.9 (.03) | 1.8 (.070) | 1.2 (.05) | 7.8 (.31) | 47-80-602-14 | 47-80-622-14 | 47-80-642-10 | 47-80-662-10 | 47-80-682-10 | | | | |
| | | | 3.2 (.126) | 4.8 (.189) | 1.6 (.062) | | 3.4 (.135) | 2.8 (.11) | 9.4 (.31) | 47-80-604-14 | 47-80-624-14 | 47-80-644-10 | 47-80-664-10 | 47-80-684-10 | | | | |
| | | | 4.8 (.189) | 6.4 (.250) | 3.2 (.125) | | 5 (.197) | 4.4 (.17) | 11 (.43) | 47-80-606-14 | 47-80-626-14 | 47-80-646-10 | 47-80-666-10 | 47-80-686-10 | | | | |
| | | | 6.4 (.251) | 7.9 (.312) | 4.8 (.189) | | 6.6 (.260) | 6 (.24) | 12.6 (.50) | 47-80-608-14 | 47-80-628-14 | 47-80-648-10 | 47-80-668-10 | 47-80-688-10 | | | | |
| | | | 1.5 (.058) | 3.2 (.125) | 0.4 (.015) | | 1.8 (.070) | 2.8 (.11) | 9.4 (.37) | 47-81-602-14 | 47-81-622-14 | 47-81-642-10 | 47-81-662-10 | 47-81-682-10 | | | | |
| | | | 4.4 (.17) | 11 (.43) | 47-82-602-14 | | | 47-82-622-14 | 47-82-642-10 | 47-82-662-10 | 47-82-682-10 | | | | | | | |
| | | | 3.2 (.126) | 4.8 (.189) | 1.6 (.062) | | 3.4 (.135) | 6 (.24) | 12.6 (.50) | 47-83-602-14 | 47-83-622-14 | 47-83-642-10 | 47-83-662-10 | 47-83-682-10 | | | | |
| | | | 4.4 (.17) | 11 (.43) | 47-81-604-14 | | | 47-81-624-14 | 47-81-644-10 | 47-81-664-10 | 47-81-684-10 | | | | | | | |
| | | | 4.8 (.189) | 6.4 (.250) | 3.2 (.125) | | 5 (.197) | 6 (.24) | 12.6 (.50) | 47-82-604-14 | 47-82-624-14 | 47-82-644-10 | 47-82-664-10 | 47-82-684-10 | | | | |
| | | | 6 (.24) | 12.6 (.50) | 47-81-606-14 | | | 47-81-626-14 | 47-81-646-10 | 47-81-666-10 | 47-81-686-10 | | | | | | | |
| | | | Floating Style | 20 (.79) | 13.3 (.52) | | ~ | 0.8 (.031) | 2.5 (.097) | 2.3 (.09) | 3.2 (.127) | 2.1 (.08) | 8.8 (.35) | 47-80-610-14 | 47-80-630-14 | 47-80-650-10 | 47-80-670-10 | 47-80-690-10 |
| | | | | | | | | | | | | 3.7 (.15) | 10.4 (.41) | 47-81-610-14 | 47-81-630-14 | 47-81-650-10 | 47-81-670-10 | 47-81-690-10 |
| | | | | | | | | | | | | 5.3 (.21) | 12 (.47) | 47-82-610-14 | 47-82-630-14 | 47-82-650-10 | 47-82-670-10 | 47-82-690-10 |
| | | | | | | | 0.8 (.031) | 1.6 (.063) | 3.3 (.128) | | 4 (.158) | 2.1 (.08) | 8.8 (.35) | 47-80-611-14 | 47-80-631-14 | 47-80-651-10 | 47-80-671-10 | 47-80-691-10 |
| 3.7 (.15) | 10.4 (.41) | 47-81-611-14 | | | | 47-81-631-14 | | | | | | 47-81-651-10 | 47-81-671-10 | 47-81-691-10 | | | | |
| 5.3 (.21) | 12 (.47) | 47-82-611-14 | | | | 47-82-631-14 | | | | | | 47-82-651-10 | 47-82-671-10 | 47-82-691-10 | | | | |
| 1.6 (.063) | 2.4 (.094) | 4.1 (.160) | | | | 4.8 (.189) | 3.7 (.15) | 10.4 (.41) | 47-80-612-14 | | 47-80-632-14 | 47-80-652-10 | 47-80-672-10 | 47-80-692-10 | | | | |
| | | | | | | | 5.3 (.21) | 12 (.47) | 47-81-612-14 | | 47-81-632-14 | 47-81-652-10 | 47-81-672-10 | 47-81-692-10 | | | | |

Part numbers in shaded rows (shown in table) are fully retracting in minimum panel thickness



To add a black powder coated finish, change the part number from the table as shown:

- Change 1 to 5: 47-80-102-14
- 47-80-102-54
- Change 2 to 6: 47-80-102-24
- 47-80-102-64



For a smooth knob, change the part number from the table as shown:

- Change 0 to 1: 47-90-161-20
- 47-90-161-21
- Change 4 to 5: 47-90-101-24
- 47-90-101-25

Part Number

See table

All screw part numbers shown in table are for a natural knob finish and a knurled knob

For black finish and smooth knob options, minimums may apply



47 Captive Screws

Styled knob series · 4-40 thread size

- Smooth knob meets UL-1950
- Designed for hand operation
- Spring ejected
- Wide variety of sizes, recesses and installation options

Material and Finish

Ferrule:

Press-in: Hardened carbon steel, zinc plate, chromate, plus sealer
P.C. board style:

300 Series stainless steel

Flare-in and Floating:

Aluminum, natural

Knob: Aluminum, natural or black powder coated

Screw: Hardened carbon steel, zinc plated, chromate, plus sealer

Installation Notes

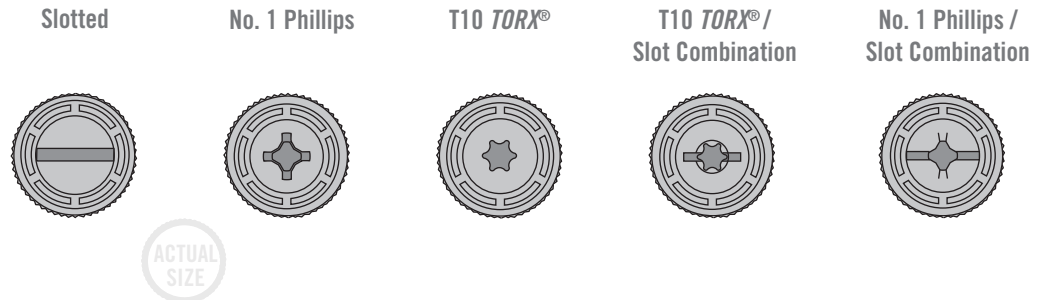
See pages 546-547, 627

Notes



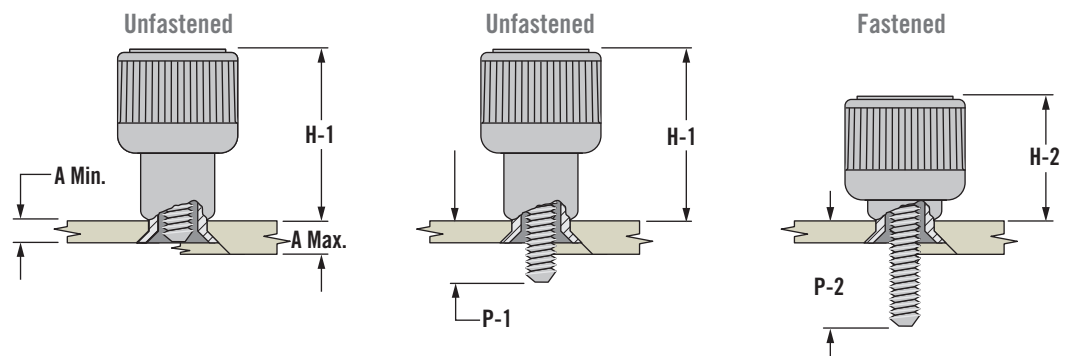
To ensure you receive **SOUTHCO®** quality parts, look for the segmented circle

Recess Styles

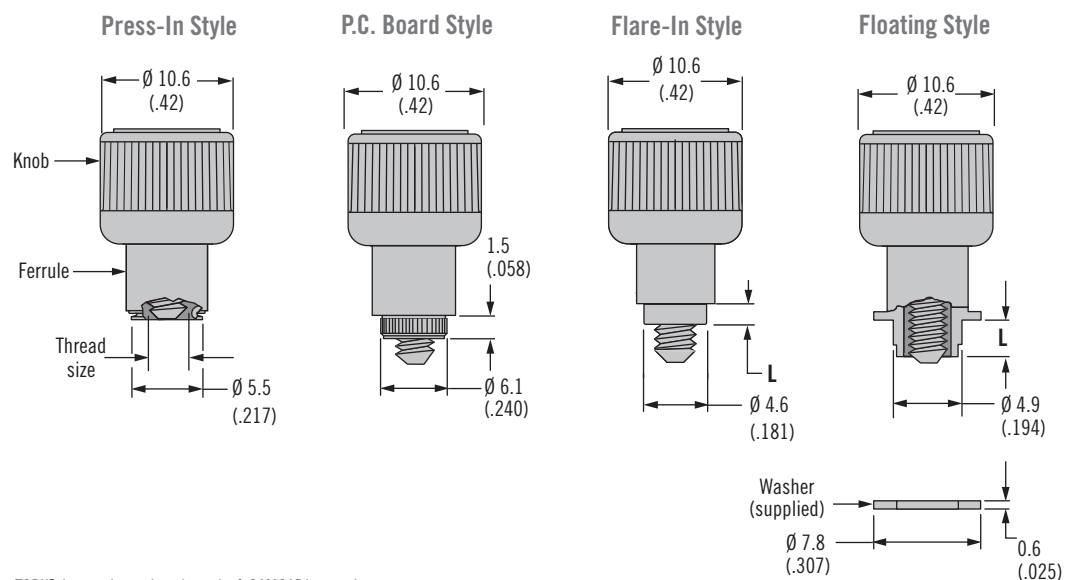


Knob Height and Screw Projection

(Flare-in style shown)



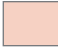
Installation Styles



TORX® is a registered trademark of CAMCAR Innovations

Dimensions in millimeters (inch) unless otherwise stated

| Installation Style | Knob Height | | Outer Panel Dimensions | | B | Total Float | Flange Length L | Screw Projection Beyond Outer Surface of Panel | | Part Number | | | | |
|--------------------|-------------|--------------|------------------------|------------|--------------|--------------|-----------------|--|--------------|----------------|-----------------|--------------|--------------------------|-----------------------------|
| | H-1 | H-2 | A Min. | A Max. | | | | P-1 | P-2 | Slotted Recess | Phillips Recess | TORX® Recess | TORX® / Slot Combination | Phillips / Slot Combination |
| Press-In Style | 11.3 (.45) | 8.3 (.33) | 0.9 (.036) | ~ | ~ | 0.8 (.03) | ~ | 0.8 (.03) | 3.8 (.15) | 47-60-101-24 | 47-60-121-24 | 47-60-141-24 | 47-60-161-20 | 47-60-181-24 |
| | | | | | | | | 2.5 (.10) | 5.5 (.22) | 47-61-101-24 | 47-61-121-24 | 47-61-141-24 | 47-61-161-20 | 47-61-181-24 |
| | | | | | | | | 4 (.16) | 7 (.28) | 47-62-101-24 | 47-62-121-24 | 47-62-141-24 | 47-62-161-20 | 47-62-181-24 |
| | | | | | | | | 5.6 (.22) | 8.6 (.34) | 47-63-101-24 | 47-63-121-24 | 47-63-141-24 | 47-63-161-20 | 47-63-181-24 |
| P.C. Board Style | 11.5 (.45) | 8.3 (.33) | 1.6 (.061) | ~ | ~ | 0.8 (.03) | ~ | 1.5 (.06) | 4.5 (.18) | 47-65-101-34 | 47-65-121-34 | 47-65-141-34 | 47-65-161-30 | 47-65-181-34 |
| Flare-In Style | 11.5 (.45) | 8.1 (.32) | 0.8 (.031) | 1.5 (.058) | 0.4 (.015) | 0.6 (.03) | 1 (.041) | 0.8 (.03) | 4 (.16) | 47-10-101-14 | 47-10-121-14 | 47-10-141-14 | 47-10-161-10 | 47-10-181-14 |
| | | | 1.5 (.059) | 2.5 (.100) | 0.4 (.015) | | 1.8 (.070) | 1.5 (.06) | 4.7 (.19) | 47-10-102-14 | 47-10-122-14 | 47-10-142-14 | 47-10-162-10 | 47-10-182-14 |
| | | | 2.5 (.1) | 4 (.156) | 0.8 (.031) | | 2.6 (.104) | 2.5 (.10) | 5.7 (.22) | 47-10-103-14 | 47-10-123-14 | 47-10-143-14 | 47-10-163-10 | 47-10-183-14 |
| | | | 4 (.157) | 5.6 (.219) | 2.4 (.093) | | 4.2 (.166) | 4 (.16) | 7.2 (.28) | 47-10-105-14 | 47-10-125-14 | 47-10-145-14 | 47-10-165-10 | 47-10-185-14 |
| | | | 5.6 (.220) | 7.1 (.281) | 4 (.156) | | 5.8 (.229) | 5.6 (.22) | 8.8 (.35) | 47-10-107-14 | 47-10-127-14 | 47-10-147-14 | 47-10-167-10 | 47-10-187-14 |
| | | | 0.8 (.031) | 1.5 (.058) | 0.4 (.015) | | 1 (.041) | 2.5 (.10) | 5.7 (.22) | 47-11-101-14 | 47-11-121-14 | 47-11-141-14 | 47-11-161-10 | 47-11-181-14 |
| | | | 4 (.16) | 7.2 (.28) | 47-12-101-14 | | | 47-12-121-14 | 47-12-141-14 | 47-12-161-10 | 47-12-181-14 | | | |
| | | | 5.6 (.22) | 8.8 (.35) | 47-13-101-14 | | | 47-13-121-14 | 47-13-141-14 | 47-13-161-10 | 47-13-181-14 | | | |
| | | | 1.8 (.070) | 3.2 (.13) | 6.4 (.25) | | 47-11-102-14 | 47-11-122-14 | 47-11-142-14 | 47-11-162-10 | 47-11-182-14 | | | |
| | | | | 4.7 (.19) | 7.9 (.31) | | 47-12-102-14 | 47-12-122-14 | 47-12-142-14 | 47-12-162-10 | 47-12-182-14 | | | |
| | | | | 6.3 (.25) | 9.5 (.37) | | 47-13-102-14 | 47-13-122-14 | 47-13-142-14 | 47-13-162-10 | 47-13-182-14 | | | |
| | | | Floating Style | 11.4 (.45) | 8.6 (.34) | | ~ | 0.8 (.031) | 2 (.080) | 2.1 (.08) | 2.6 (.101) | 1.9 (.07) | 5.1 (.20) | 47-10-110-14 |
| 3.4 (.13) | 6.6 (.26) | 47-11-110-14 | | | | 47-11-130-14 | | 47-11-150-14 | 47-11-170-10 | | 47-11-190-14 | | | |
| 5 (.19) | 8.2 (.32) | 47-12-110-14 | | | | 47-12-130-14 | | 47-12-150-14 | 47-12-170-10 | | 47-12-190-14 | | | |
| 0.8 (.031) | 1.6 (.063) | 2.8 (.111) | | | | 3.4 (.132) | 1.9 (.07) | 5.1 (.20) | 47-10-111-14 | | 47-10-131-14 | 47-10-151-14 | 47-10-171-10 | 47-10-191-14 |
| 3.4 (.13) | 6.6 (.26) | 47-11-111-14 | | | | | 47-11-131-14 | 47-11-151-14 | 47-11-171-10 | | 47-11-191-14 | | | |
| 5 (.19) | 8.2 (.32) | 47-12-111-14 | | | | | 47-12-131-14 | 47-12-151-14 | 47-12-171-10 | | 47-12-191-14 | | | |
| 1.6 (.063) | 2.4 (.094) | 3.6 (.143) | | | | 4.2 (.164) | 3.4 (.13) | 6.6 (.26) | 47-10-112-14 | | 47-10-132-14 | 47-10-152-14 | 47-10-172-10 | 47-10-192-14 |
| | | | | | | | 5 (.19) | 8.2 (.32) | 47-11-112-14 | | 47-11-132-14 | 47-11-152-14 | 47-11-172-10 | 47-11-192-14 |

Part numbers in shaded rows (shown in table) are fully retracting in minimum panel thickness 



To add a black powder coated finish, change the part number from the table as shown:

- Change 1 to 5: 47-80-102-14
- 47-80-102-54
- Change 2 to 6: 47-80-102-24
- 47-80-102-64
- Change 3 to 7: 47-80-102-34
- 47-80-102-74



For a smooth knob, change the part number from the table as shown:

- Change 0 to 1: 47-90-161-20
- 47-90-161-21
- Change 4 to 5: 47-90-101-24
- 47-90-101-25

Part Number

See table

All screw part numbers shown in table are for a natural knob finish and a knurled knob

For black finish and smooth knob options, minimums may apply

TORX® is a registered trademark of CAMCAR Innovations



47 Captive Screws

Styled knob series · 6-32 thread size

- Smooth knob meets UL-1950
- Designed for hand operation
- Spring ejected
- Wide variety of sizes, recesses and installation options

Material and Finish

Ferrule:

Press-in: Hardened carbon steel, zinc plate, chromate, plus sealer
 P.C. board style: 300 Series stainless steel, passivated
 Flare-in, floating and snap-in:

Aluminum, natural

Knob: Aluminum, natural or black powder coated

Screw: Hardened carbon steel, zinc plated, chromate, plus sealer

Installation Notes

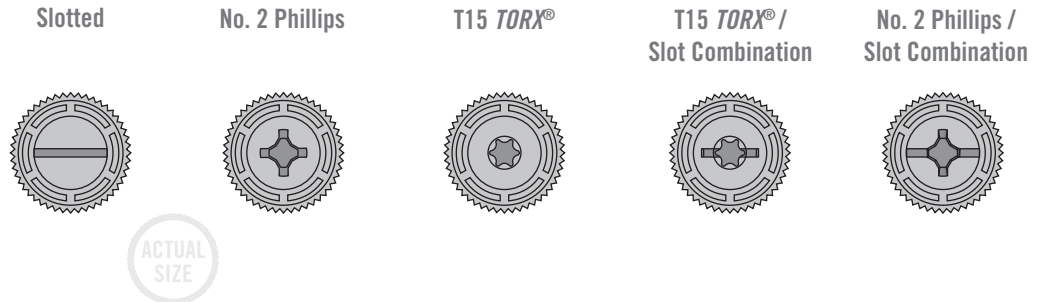
See pages 546-547, 627

Notes



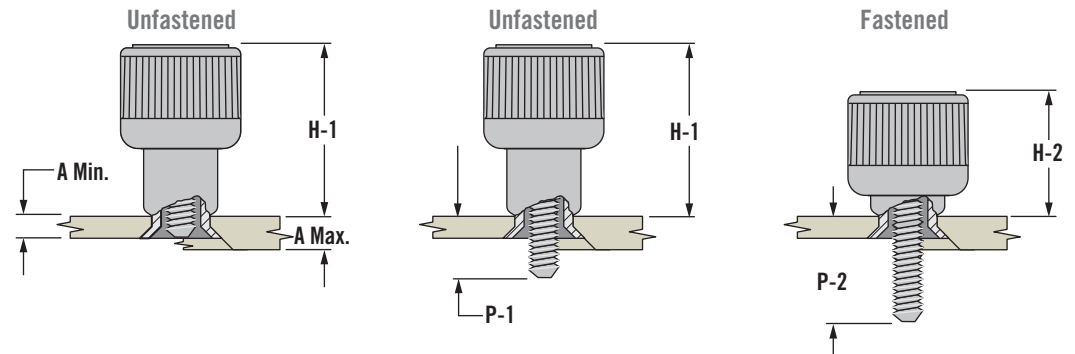
To ensure you receive **SOUTHCO®** quality parts, look for the segmented circle

Recess Styles

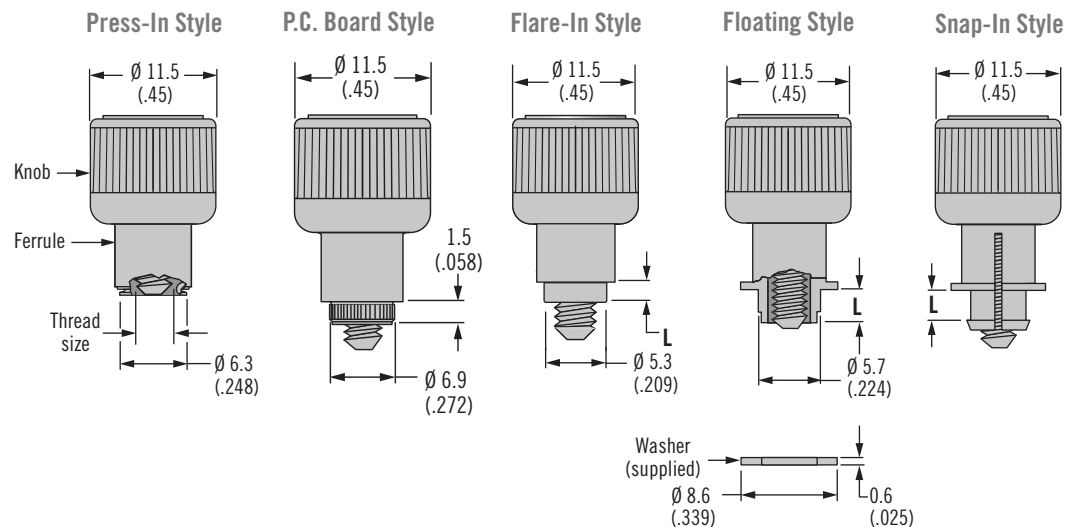


Knob Height and Screw Projection

(Flare-in style shown)



Installation Styles



TORX® is a registered trademark of CAMCAR Innovations

Dimensions in millimeters (inch) unless otherwise stated

| Installation Style | Knob Height | | Outer Panel Dimensions | | B | Total Float | Flange Length L | Screw Projection Beyond Outer Surface of Panel | | Part Number | | | | |
|--------------------|-------------|------------|------------------------|------------|------------|--------------|-----------------|--|--------------|----------------|-----------------|--------------|--------------------------|-----------------------------|
| | H-1 | H-2 | A Min. | A Max. | | | | P-1 | P-2 | Slotted Recess | Phillips Recess | TORX® Recess | TORX® / Slot Combination | Phillips / Slot Combination |
| Press-In Style | 15.9 (.63) | 11.2 (.44) | 0.9 (.036) | ~ | ~ | 0.8 (.03) | ~ | 0.5 (.02) | 5.3 (.21) | 47-60-201-24 | 47-60-221-24 | 47-60-241-24 | 47-60-261-20 | 47-60-281-24 |
| | | | | | | | | 2.1 (.08) | 6.9 (.27) | 47-61-201-24 | 47-61-221-24 | 47-61-241-24 | 47-61-261-20 | 47-61-281-24 |
| | | | | | | | | 3.7 (.15) | 8.5 (.33) | 47-62-201-24 | 47-62-221-24 | 47-62-241-24 | 47-62-261-20 | 47-62-281-24 |
| | | | | | | | | 5.3 (.21) | 10.1 (.40) | 47-63-201-24 | 47-63-221-24 | 47-63-241-24 | 47-63-261-20 | 47-63-281-24 |
| P.C. Board Style | 14.8 (.58) | 10 (.39) | 1.6 (.061) | ~ | ~ | 0.8 (.03) | ~ | 1.4 (.06) | 6.1 (.24) | 47-65-201-34 | 47-65-221-34 | 47-65-241-34 | 47-65-261-30 | 47-65-281-34 |
| Flare-In Style | 15.3 (.60) | 10.4 (.41) | 1.5 (.058) | 3.2 (.125) | 0.4 (.015) | 0.8 (.03) | 1.8 (.07) | 1.1 (.04) | 6 (.24) | 47-10-202-14 | 47-10-222-14 | 47-10-242-14 | 47-10-262-10 | 47-10-282-14 |
| | | | 3.2 (.125) | 4.8 (.189) | 1.6 (.062) | | 3.4 (.135) | 2.7 (.11) | 7.6 (.30) | 47-10-204-14 | 47-10-224-14 | 47-10-244-14 | 47-10-264-10 | 47-10-284-14 |
| | | | 4.8 (.189) | 6.4 (.250) | 3.2 (.125) | | 5 (.197) | 4.3 (.17) | 9.2 (.36) | 47-10-206-14 | 47-10-226-14 | 47-10-246-14 | 47-10-266-10 | 47-10-286-14 |
| | | | 6.4 (.250) | 7.9 (.312) | 4.8 (.189) | | 6.1 (.26) | 5.9 (.23) | 10.8 (.43) | 47-10-208-14 | 47-10-228-14 | 47-10-248-14 | 47-10-268-10 | 47-10-288-14 |
| | | | 1.5 (.058) | 3.2 (.125) | 0.4 (.015) | | 1.8 (.07) | 2.7 (.11) | 7.6 (.30) | 47-11-202-14 | 47-11-222-14 | 47-11-242-14 | 47-11-262-10 | 47-11-282-14 |
| | | | 3.2 (.125) | 4.8 (.189) | 1.6 (.062) | | 3.4 (.135) | 4.3 (.17) | 9.2 (.36) | 47-12-202-14 | 47-12-222-14 | 47-12-242-14 | 47-12-262-10 | 47-12-282-14 |
| | | | 4.8 (.189) | 6.4 (.250) | 3.2 (.125) | | 5 (.197) | 5.9 (.23) | 10.8 (.43) | 47-13-202-14 | 47-13-222-14 | 47-13-242-14 | 47-13-262-10 | 47-13-282-14 |
| | | | 6.4 (.250) | 7.9 (.312) | 4.8 (.189) | | 6.1 (.26) | 5.9 (.23) | 10.8 (.43) | 47-12-204-14 | 47-12-224-14 | 47-12-244-14 | 47-12-264-10 | 47-12-284-14 |
| | | | 1.5 (.058) | 3.2 (.125) | 0.4 (.015) | | 1.8 (.07) | 2.7 (.11) | 7.6 (.30) | 47-11-204-14 | 47-11-224-14 | 47-11-244-14 | 47-11-264-10 | 47-11-284-14 |
| | | | 3.2 (.125) | 4.8 (.189) | 1.6 (.062) | | 3.4 (.135) | 4.3 (.17) | 9.2 (.36) | 47-12-204-14 | 47-12-224-14 | 47-12-244-14 | 47-12-264-10 | 47-12-284-14 |
| 4.8 (.189) | 6.4 (.250) | 3.2 (.125) | 5 (.197) | 5.9 (.23) | 10.8 (.43) | 47-11-206-14 | 47-11-226-14 | 47-11-246-14 | 47-11-266-10 | 47-11-286-14 | | | | |
| Floating Style | 15.3 (.60) | 10.6 (.42) | ~ | 0.8 (.031) | 2.1 (.083) | 2.2 (.09) | 2.9 (.113) | 2.4 (.09) | 7.2 (.28) | 47-10-210-14 | 47-10-230-14 | 47-10-250-14 | 47-10-270-10 | 47-10-290-14 |
| | | | 0.8 (.031) | 1.6 (.063) | 2.9 (.114) | | 3.7 (.144) | 4 (.16) | 8.8 (.35) | 47-11-210-14 | 47-11-230-14 | 47-11-250-14 | 47-11-270-10 | 47-11-290-14 |
| | | | 1.6 (.063) | 2.4 (.094) | 3.7 (.146) | | 4.5 (.176) | 4 (.16) | 8.8 (.35) | 47-10-212-14 | 47-10-232-14 | 47-10-252-14 | 47-10-272-10 | 47-10-292-14 |
| | | | ~ | 0.8 (.031) | 2.1 (.083) | | 2.9 (.113) | 2.4 (.09) | 7.2 (.28) | 47-10-211-14 | 47-10-231-14 | 47-10-251-14 | 47-10-271-10 | 47-10-291-14 |
| | | | 0.8 (.031) | 1.6 (.063) | 2.9 (.114) | | 3.7 (.144) | 4 (.16) | 8.8 (.35) | 47-11-211-14 | 47-11-231-14 | 47-11-251-14 | 47-11-271-10 | 47-11-291-14 |
| | | | 1.6 (.063) | 2.4 (.094) | 3.7 (.146) | | 4.5 (.176) | 4 (.16) | 8.8 (.35) | 47-12-211-14 | 47-12-231-14 | 47-12-251-14 | 47-12-271-10 | 47-12-291-14 |
| Snap-In Style | 15.3 (.60) | 10.6 (.42) | 0.5 (.020) | 1 (.039) | 2 (.079) | 0.8 (.03) | 1.1 (.044) | 0.8 (.03) | 5.6 (.22) | 47-60-210-14 | 47-60-230-14 | 47-60-250-14 | 47-60-270-10 | 47-60-290-14 |
| | | | 1 (.039) | 1.6 (.063) | 2.6 (.103) | | 1.7 (.067) | 2.4 (.09) | 7.2 (.28) | 47-61-210-14 | 47-61-230-14 | 47-61-250-14 | 47-61-270-10 | 47-61-290-14 |
| | | | 0.5 (.020) | 1 (.039) | 2 (.079) | | 1.1 (.044) | 4 (.16) | 8.8 (.35) | 47-62-210-14 | 47-62-230-14 | 47-62-250-14 | 47-62-270-10 | 47-62-290-14 |
| | | | 1 (.039) | 1.6 (.063) | 2.6 (.103) | | 1.7 (.067) | 5.6 (.22) | 10.4 (.41) | 47-63-210-14 | 47-63-230-14 | 47-63-250-14 | 47-63-270-10 | 47-63-290-14 |
| | | | 0.5 (.020) | 1 (.039) | 2 (.079) | | 1.1 (.044) | 2.4 (.09) | 7.2 (.28) | 47-60-212-14 | 47-60-232-14 | 47-60-252-14 | 47-60-272-10 | 47-60-292-14 |
| | | | 1 (.039) | 1.6 (.063) | 2.6 (.103) | | 1.7 (.067) | 4 (.16) | 8.8 (.35) | 47-61-212-14 | 47-61-232-14 | 47-61-252-14 | 47-61-272-10 | 47-61-292-14 |
| | | | 0.5 (.020) | 1 (.039) | 2 (.079) | | 1.1 (.044) | 5.6 (.22) | 10.4 (.41) | 47-62-212-14 | 47-62-232-14 | 47-62-252-14 | 47-62-272-10 | 47-62-292-14 |
| | | | 1 (.039) | 1.6 (.063) | 2.6 (.103) | | 1.7 (.067) | 2.4 (.09) | 7.2 (.28) | 47-60-210-14 | 47-60-230-14 | 47-60-250-14 | 47-60-270-10 | 47-60-290-14 |
| | | | 0.5 (.020) | 1 (.039) | 2 (.079) | | 1.1 (.044) | 4 (.16) | 8.8 (.35) | 47-61-210-14 | 47-61-230-14 | 47-61-250-14 | 47-61-270-10 | 47-61-290-14 |
| | | | 1 (.039) | 1.6 (.063) | 2.6 (.103) | | 1.7 (.067) | 5.6 (.22) | 10.4 (.41) | 47-62-210-14 | 47-62-230-14 | 47-62-250-14 | 47-62-270-10 | 47-62-290-14 |

Part numbers in shaded rows (shown in table) are fully retracting in minimum panel thickness



To add a black powder coated finish, change the part number from the table as shown:

- Change 1 to 5: 47-80-102-14
47-80-102-54
- Change 2 to 6: 47-80-102-24
47-80-102-64
- Change 3 to 7: 47-80-102-34
47-80-102-74



For a smooth knob, change the part number from the table as shown:

- Change 0 to 1: 47-90-161-20
47-90-161-21
- Change 4 to 5: 47-90-101-24
47-90-101-25

Part Number

See table

All screw part numbers shown in table are for a natural knob finish and a knurled knob

For black finish and smooth knob options, minimums may apply



47 Captive Screws

Styled knob series · 8-32 thread size

- Designed for hand operation
- Spring ejected
- Wide variety of sizes, recesses and installation options

Material and Finish

Ferrule:

Press-in: Hardened carbon steel, zinc plate, chromate, plus sealer

Flare-in, floating and snap-in:

Aluminum, natural

Knob: Aluminum, natural or black powder coated

Screw: Hardened carbon steel, zinc plated, chromate, plus sealer

Installation Notes

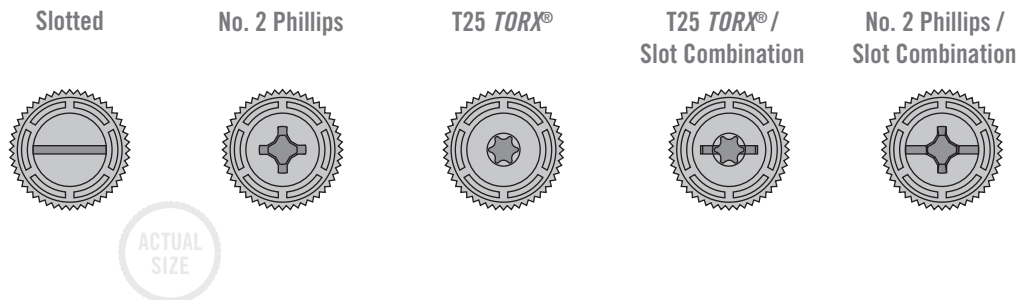
See pages 546-547, 627

Notes



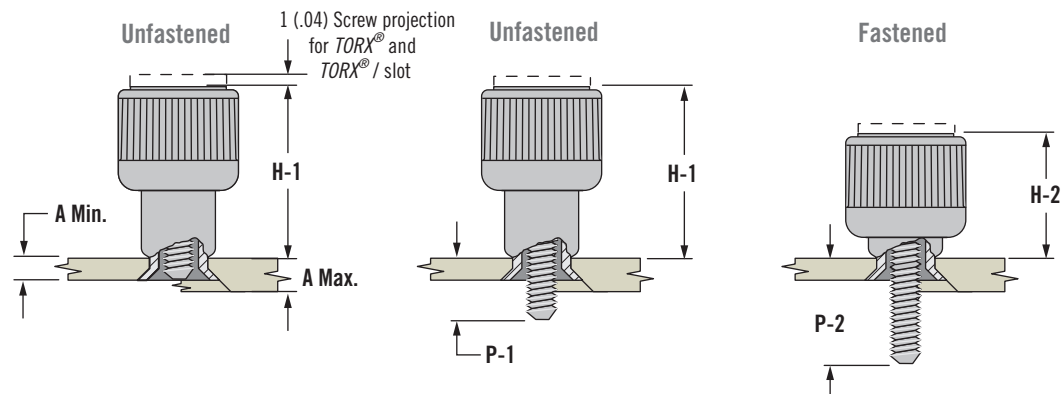
To ensure you receive **SOUTHCO®** quality parts, look for the segmented circle

Recess Styles

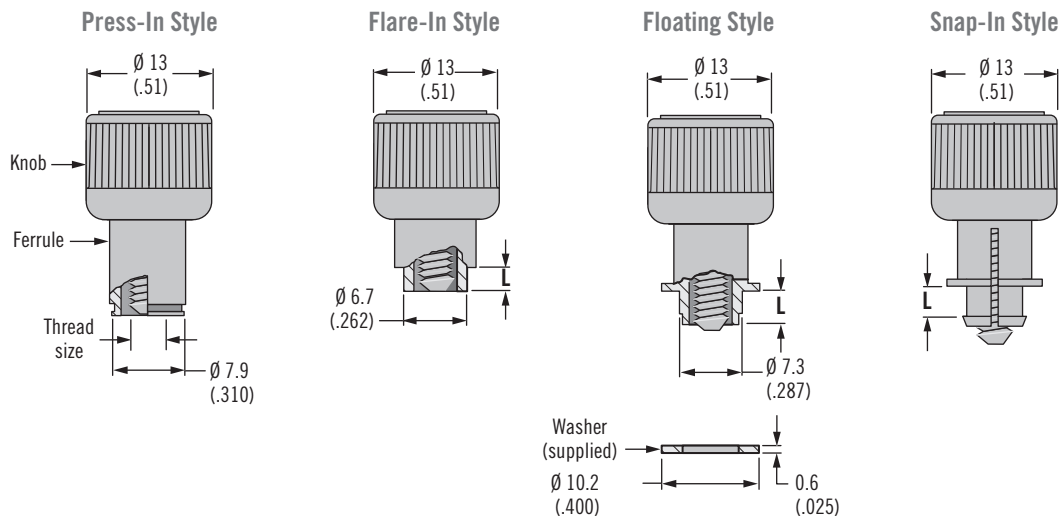


Knob Height and Screw Projection

(Flare-in style shown)



Installation Styles



TORX® is a registered trademark of CAMCAR Innovations

Dimensions in millimeters (inch) unless otherwise stated

| Installation Style | Knob Height | | Outer Panel Dimensions | | B | Total Float | Flange Length L | Screw Projection Beyond Outer Surface of Panel | | Part Number | | | | |
|--------------------|-------------|--------------|------------------------|--------------|--------------|--------------|-----------------|--|--------------|----------------|-----------------|--------------|--------------------------|-----------------------------|
| | H-1 | H-2 | A Min. | A Max. | | | | P-1 | P-2 | Slotted Recess | Phillips Recess | TORX® Recess | TORX® / Slot Combination | Phillips / Slot Combination |
| Press-In Style | 16.2 (.64) | 11.2 (.44) | 0.9 (.036) | ~ | ~ | 0.8 (.03) | ~ | 0.5 (.02) | 5.6 (.22) | 47-60-301-24 | 47-60-321-24 | 47-60-341-20 | 47-60-361-20 | 47-60-381-20 |
| | | | | | | | | 2 (.08) | 7.1 (.28) | 47-61-301-24 | 47-61-321-24 | 47-61-341-20 | 47-61-361-20 | 47-61-381-20 |
| | | | | | | | | 3.8 (.15) | 8.9 (.35) | 47-62-301-24 | 47-62-321-24 | 47-62-341-20 | 47-62-361-20 | 47-62-381-20 |
| | | | | | | | | 5.3 (.21) | 10.4 (.41) | 47-63-301-24 | 47-63-321-24 | 47-63-341-20 | 47-63-361-20 | 47-63-381-20 |
| Flare-In Style | 15.6 (.61) | 10.5 (.41) | 1.5 (.058) | 3.2 (.125) | 0.4 (.015) | 0.9 (.03) | 1.8 (.070) | 1 (.04) | 6 (.24) | 47-10-302-14 | 47-10-322-14 | 47-10-342-10 | 47-10-362-10 | 47-10-382-10 |
| | | | 3.2 (.126) | 4.8 (.189) | 1.6 (.062) | | 3.4 (.135) | 2.8 (.11) | 7.6 (.3) | 47-10-304-14 | 47-10-324-14 | 47-10-344-10 | 47-10-364-10 | 47-10-384-10 |
| | | | 4.8 (.189) | 6.4 (.250) | 3.2 (.125) | | 5 (.197) | 4.3 (.17) | 9.2 (.36) | 47-10-306-14 | 47-10-326-14 | 47-10-346-10 | 47-10-366-10 | 47-10-386-10 |
| | | | 6.3 (.251) | 7.9 (.312) | 4.8 (.189) | | 6.6 (.260) | 5.8 (.23) | 10.8 (.43) | 47-10-308-14 | 47-10-328-14 | 47-10-348-10 | 47-10-368-10 | 47-10-388-10 |
| | | | 1.5 (.058) | 3.2 (.125) | 0.4 (.015) | | 1.8 (.07) | 2.8 (.11) | 7.6 (.3) | 47-11-302-14 | 47-11-322-14 | 47-11-342-10 | 47-11-362-10 | 47-11-382-10 |
| | | | 3.2 (.126) | 4.8 (.189) | 1.6 (.062) | | 3.4 (.135) | 4.3 (.17) | 9.2 (.36) | 47-12-302-14 | 47-12-322-14 | 47-12-342-10 | 47-12-362-10 | 47-12-382-10 |
| | | | 4.8 (.189) | 6.4 (.250) | 3.2 (.125) | | 5 (.197) | 5.8 (.23) | 10.8 (.43) | 47-13-302-14 | 47-13-322-14 | 47-13-342-10 | 47-13-362-10 | 47-13-382-10 |
| | | | 3.2 (.126) | 4.8 (.189) | 1.6 (.062) | | 3.4 (.135) | 4.3 (.17) | 9.2 (.36) | 47-11-304-14 | 47-11-324-14 | 47-11-344-10 | 47-11-364-10 | 47-11-384-10 |
| | | | 4.8 (.189) | 6.4 (.250) | 3.2 (.125) | | 5 (.197) | 5.8 (.23) | 10.8 (.43) | 47-12-304-14 | 47-12-324-14 | 47-12-344-10 | 47-12-364-10 | 47-12-384-10 |
| | | | 2.3 (.09) | 7.1 (.28) | 47-11-306-14 | | 47-11-326-14 | 47-11-346-10 | 47-11-366-10 | 47-11-386-10 | | | | |
| | | | 2.3 (.09) | 7.1 (.28) | 47-10-310-14 | | 47-10-330-14 | 47-10-350-10 | 47-10-370-10 | 47-10-390-10 | | | | |
| | | | 3.8 (.15) | 8.9 (.35) | 47-11-310-14 | | 47-11-330-14 | 47-11-350-10 | 47-11-370-10 | 47-11-390-10 | | | | |
| 5.6 (.22) | 10.4 (.41) | 47-12-310-14 | 47-12-330-14 | 47-12-350-10 | 47-12-370-10 | 47-12-390-10 | | | | | | | | |
| 2.3 (.09) | 7.1 (.28) | 47-10-311-14 | 47-10-331-14 | 47-10-351-10 | 47-10-371-10 | 47-10-391-10 | | | | | | | | |
| 3.8 (.15) | 8.9 (.35) | 47-11-311-14 | 47-11-331-14 | 47-11-351-10 | 47-11-371-10 | 47-11-391-10 | | | | | | | | |
| 5.6 (.22) | 10.4 (.41) | 47-12-311-14 | 47-12-331-14 | 47-12-351-10 | 47-12-371-10 | 47-12-391-10 | | | | | | | | |
| 3.8 (.15) | 8.9 (.35) | 47-10-312-14 | 47-10-332-14 | 47-10-352-10 | 47-10-372-10 | 47-10-392-10 | | | | | | | | |
| 5.6 (.22) | 10.4 (.41) | 47-11-312-14 | 47-11-332-14 | 47-11-352-10 | 47-11-372-10 | 47-11-392-10 | | | | | | | | |
| 1 (.04) | 3 (.22) | 47-60-310-14 | 47-60-330-14 | 47-60-350-10 | 47-60-370-10 | 47-60-390-10 | | | | | | | | |
| 2.8 (.11) | 7.1 (.28) | 47-61-310-14 | 47-61-330-14 | 47-61-350-10 | 47-61-370-10 | 47-61-390-10 | | | | | | | | |
| 4.3 (.17) | 8.9 (.35) | 47-63-310-14 | 47-62-330-14 | 47-62-350-10 | 47-62-370-10 | 47-62-390-10 | | | | | | | | |
| 5.8 (.23) | 10.4 (.41) | 47-63-310-14 | 47-63-330-14 | 47-63-350-10 | 47-63-370-10 | 47-63-390-10 | | | | | | | | |
| 2.8 (.11) | 7.1 (.28) | 47-60-312-14 | 47-60-332-14 | 47-60-352-10 | 47-60-372-10 | 47-60-392-10 | | | | | | | | |
| 4.3 (.17) | 8.9 (.35) | 47-61-312-14 | 47-61-332-14 | 47-61-352-10 | 47-61-372-10 | 47-61-392-10 | | | | | | | | |
| 5.8 (.23) | 10.4 (.41) | 47-62-312-14 | 47-62-332-14 | 47-62-352-10 | 47-62-372-10 | 47-62-392-10 | | | | | | | | |
| 2.8 (.11) | 7.1 (.28) | 47-60-314-14 | 47-60-334-14 | 47-60-354-10 | 47-60-374-10 | 47-60-394-10 | | | | | | | | |
| 4.3 (.17) | 8.9 (.35) | 47-61-314-14 | 47-61-334-14 | 47-61-354-10 | 47-61-374-10 | 47-61-394-10 | | | | | | | | |
| 5.8 (.23) | 10.4 (.41) | 47-62-314-14 | 47-62-334-14 | 47-62-354-10 | 47-62-374-10 | 47-62-394-10 | | | | | | | | |

Part numbers in shaded rows (shown in table) are fully retracting in minimum panel thickness



To add a black powder coated finish, change the part number from the table as shown:

- Change 1 to 5: 47-80-102-14
- 47-80-102-54
- Change 2 to 6: 47-80-102-24
- 47-80-102-64



For a smooth knob, change the part number from the table as shown:

- Change 0 to 1: 47-90-161-20
- 47-90-161-21
- Change 4 to 5: 47-90-101-24
- 47-90-101-25

Part Number

See table

All screw part numbers shown in table are for a natural knob finish and a knurled knob

For black finish and smooth knob options, minimums may apply



47 Captive Screws

Styled knob series · 10-32 thread size

- Designed for hand operation
- Spring ejected
- Wide variety of sizes, recesses and installation options

Material and Finish

Ferrule:

Press-in: Hardened carbon steel, zinc plate, chromate, plus sealer

Flare-in, floating and snap-in:

Aluminum, natural

Knob: Aluminum, natural or black powder coated

Screw: Hardened carbon steel, zinc plated, chromate, plus sealer

Installation Notes

See pages 546-547, 627

Notes



To ensure you receive **SOUTHCO®** quality parts, look for the segmented circle

Recess Styles

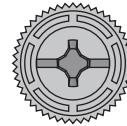
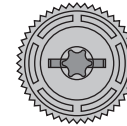
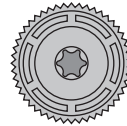
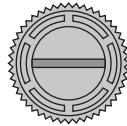
Slotted

No. 2 Phillips

T25 TORX®

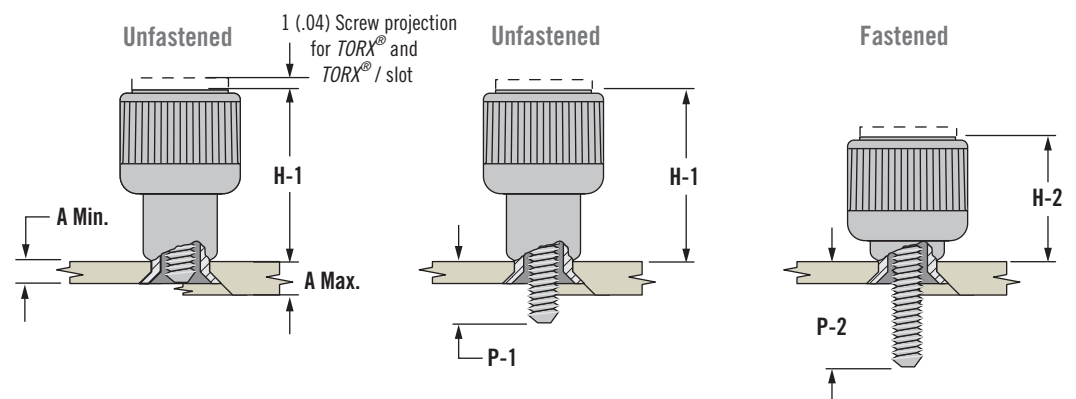
T25 TORX® /
Slot Combination

No. 2 Phillips /
Slot Combination

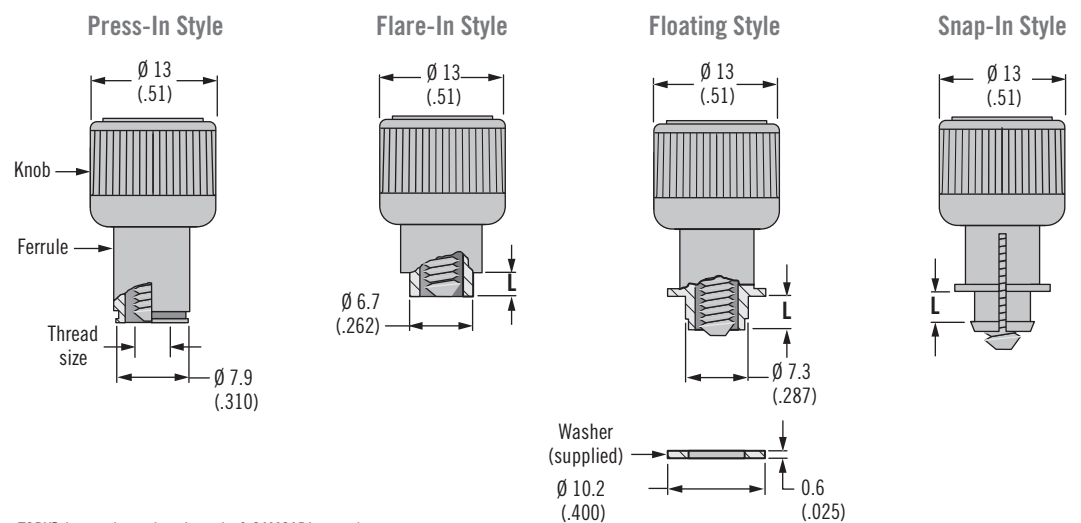


Knob Height and Screw Projection

(Flare-in style shown)



Installation Styles



TORX® is a registered trademark of CAMCAR Innovations

Dimensions in millimeters (inch) unless otherwise stated

| Installation Style | Knob Height | | Outer Panel Dimensions | | B | Total Float | Flange Length L | Screw Projection Beyond Outer Surface of Panel | | Part Number | | | | |
|--------------------|-------------|------------|------------------------|------------|------------|--------------|-----------------|--|--------------|----------------|-----------------|--------------|--------------------------|-----------------------------|
| | H-1 | H-2 | A Min. | A Max. | | | | P-1 | P-2 | Slotted Recess | Phillips Recess | TORX® Recess | TORX® / Slot Combination | Phillips / Slot Combination |
| Press-In Style | 16.2 (.64) | 11.2 (.44) | 0.9 (.036) | ~ | ~ | 0.6 (.02) | ~ | 0.6 (.02) | 5.5 (.22) | 47-60-501-24 | 47-60-521-24 | 47-60-541-20 | 47-60-561-20 | 47-60-581-20 |
| | | | | | | | | 2.2 (.09) | 7.2 (.28) | 47-61-501-24 | 47-61-521-24 | 47-61-541-20 | 47-61-561-20 | 47-61-581-20 |
| | | | | | | | | 3.8 (.15) | 8.9 (.35) | 47-62-501-24 | 47-62-521-24 | 47-62-541-20 | 47-62-561-20 | 47-62-581-20 |
| | | | | | | | | 5.4 (.21) | 10.3 (.41) | 47-63-501-24 | 47-63-521-24 | 47-63-541-20 | 47-63-561-20 | 47-63-581-20 |
| Flare-In Style | 15.6 (.61) | 10.5 (.41) | 1.5 (.058) | 3.2 (.125) | 0.4 (.015) | 0.6 (.02) | 1.8 (.070) | 1.2 (.05) | 6.3 (.25) | 47-10-502-14 | 47-10-522-14 | 47-10-542-10 | 47-10-562-10 | 47-10-582-10 |
| | | | 3.2 (.125) | 4.7 (.187) | 1.6 (.062) | | 3.4 (.135) | 2.8 (.11) | 7.9 (.31) | 47-10-504-14 | 47-10-524-14 | 47-10-544-10 | 47-10-564-10 | 47-10-584-10 |
| | | | 4.8 (.189) | 6.4 (.250) | 3.2 (.125) | | 5 (.197) | 4.4 (.17) | 9.5 (.37) | 47-10-506-14 | 47-10-526-14 | 47-10-546-10 | 47-10-566-10 | 47-10-586-10 |
| | | | 6.3 (.251) | 7.9 (.312) | 4.8 (.187) | | 6.6 (.260) | 6 (.24) | 11.1 (.44) | 47-10-508-14 | 47-10-528-14 | 47-10-548-10 | 47-10-568-10 | 47-10-588-10 |
| | | | 1.5 (.058) | 3.2 (.125) | 0.4 (.015) | | 1.8 (.070) | 2.8 (.11) | 7.9 (.31) | 47-11-502-14 | 47-11-522-14 | 47-11-542-10 | 47-11-562-10 | 47-11-582-10 |
| | | | 3.2 (.125) | 4.8 (.187) | 1.6 (.062) | | 3.4 (.135) | 4.4 (.17) | 9.5 (.37) | 47-12-502-14 | 47-12-522-14 | 47-12-542-10 | 47-12-562-10 | 47-12-582-10 |
| | | | 4.8 (.189) | 6.4 (.250) | 3.2 (.125) | | 5 (.197) | 4.4 (.17) | 9.5 (.37) | 47-11-504-14 | 47-11-524-14 | 47-11-544-10 | 47-11-564-10 | 47-11-584-10 |
| | | | 6.3 (.251) | 7.9 (.312) | 4.8 (.187) | | 6.6 (.260) | 6 (.24) | 11.1 (.44) | 47-12-504-14 | 47-12-524-14 | 47-12-544-10 | 47-12-564-10 | 47-12-584-10 |
| | | | 1.5 (.058) | 3.2 (.125) | 0.4 (.015) | | 1.8 (.070) | 2.8 (.11) | 7.9 (.31) | 47-11-506-14 | 47-11-526-14 | 47-11-546-10 | 47-11-566-10 | 47-11-586-10 |
| | | | 3.2 (.125) | 4.8 (.187) | 1.6 (.062) | | 3.4 (.135) | 4.4 (.17) | 9.5 (.37) | 47-11-508-14 | 47-11-528-14 | 47-11-548-10 | 47-11-568-10 | 47-11-588-10 |
| | | | 4.8 (.189) | 6.4 (.250) | 3.2 (.125) | | 5 (.197) | 4.4 (.17) | 9.5 (.37) | 47-11-510-14 | 47-11-530-14 | 47-11-550-10 | 47-11-570-10 | 47-11-590-10 |
| | | | Floating Style | 16 (.63) | 11.2 (.44) | | ~ | 0.8 (.031) | 2.3 (.090) | 2.3 (.09) | 3.2 (.127) | 2.3 (.09) | 7.1 (.28) | 47-10-510-14 |
| 0.8 (.031) | 1.6 (.063) | 3.1 (.122) | | | | 4 (.158) | 4 (.16) | 8.8 (.35) | 47-11-510-14 | | 47-11-530-14 | 47-11-550-10 | 47-11-570-10 | 47-11-590-10 |
| 1.6 (.063) | 2.4 (.094) | 3.9 (.153) | | | | 4 (.158) | 5.6 (.22) | 10.4 (.41) | 47-12-510-14 | | 47-12-530-14 | 47-12-550-10 | 47-12-570-10 | 47-12-590-10 |
| 0.8 (.031) | 1.6 (.063) | 3.1 (.122) | | | | 4 (.158) | 2.4 (.09) | 7.1 (.28) | 47-10-511-14 | | 47-10-531-14 | 47-10-551-10 | 47-10-571-10 | 47-10-591-10 |
| 1.6 (.063) | 2.4 (.094) | 3.9 (.153) | | | | 4 (.158) | 4 (.16) | 8.8 (.35) | 47-11-511-14 | | 47-11-531-14 | 47-11-551-10 | 47-11-571-10 | 47-11-591-10 |
| 0.8 (.031) | 1.6 (.063) | 3.1 (.122) | | | | 4 (.158) | 5.6 (.22) | 10.4 (.41) | 47-12-511-14 | | 47-12-531-14 | 47-12-551-10 | 47-12-571-10 | 47-12-591-10 |
| 1.6 (.063) | 2.4 (.094) | 3.9 (.153) | | | | 4.8 (.190) | 4 (.16) | 8.8 (.35) | 47-10-512-14 | | 47-10-532-14 | 47-10-552-10 | 47-10-572-10 | 47-10-592-10 |
| 0.8 (.031) | 1.6 (.063) | 3.1 (.122) | | | | 4.8 (.190) | 5.6 (.22) | 10.4 (.41) | 47-11-512-14 | | 47-11-532-14 | 47-11-552-10 | 47-11-572-10 | 47-11-592-10 |
| 1.6 (.063) | 2.4 (.094) | 3.9 (.153) | | | | 4.8 (.190) | 1.2 (.04) | 5.6 (.22) | 47-60-510-14 | | 47-60-530-14 | 47-60-550-10 | 47-60-570-10 | 47-60-590-10 |
| 0.5 (.020) | 1 (.039) | 2 (.079) | | | | 1.1 (.044) | 2.8 (.11) | 7.1 (.28) | 47-61-510-14 | | 47-61-530-14 | 47-61-550-10 | 47-61-570-10 | 47-61-590-10 |
| 1 (.039) | 1.6 (.063) | 2.6 (.103) | | | | 1.1 (.044) | 4.3 (.17) | 8.8 (.35) | 47-63-510-14 | | 47-63-530-14 | 47-63-550-10 | 47-63-570-10 | 47-63-590-10 |
| 1.6 (.063) | 2.5 (.098) | 3.5 (.138) | | | | 1.1 (.044) | 5.9 (.23) | 10.4 (.41) | 47-63-510-14 | | 47-63-530-14 | 47-63-550-10 | 47-63-570-10 | 47-63-590-10 |
| 0.5 (.020) | 1 (.039) | 2 (.079) | 1.7 (.068) | 2.8 (.11) | 7.1 (.28) | 47-60-512-14 | 47-60-532-14 | 47-60-552-10 | 47-60-572-10 | 47-60-592-10 | | | | |
| 1 (.039) | 1.6 (.063) | 2.6 (.103) | 1.7 (.068) | 4.3 (.17) | 8.8 (.35) | 47-61-512-14 | 47-61-532-14 | 47-61-552-10 | 47-61-572-10 | 47-61-592-10 | | | | |
| 1.6 (.063) | 2.5 (.098) | 3.5 (.138) | 1.7 (.068) | 5.9 (.23) | 10.4 (.41) | 47-62-512-14 | 47-62-532-14 | 47-62-552-10 | 47-62-572-10 | 47-62-592-10 | | | | |
| 0.5 (.020) | 1 (.039) | 2 (.079) | 2.6 (.103) | 2.8 (.11) | 7.1 (.28) | 47-60-514-14 | 47-60-534-14 | 47-60-554-10 | 47-60-574-10 | 47-60-594-10 | | | | |
| 1 (.039) | 1.6 (.063) | 2.6 (.103) | 2.6 (.103) | 4.3 (.17) | 8.8 (.35) | 47-61-514-14 | 47-61-534-14 | 47-61-554-10 | 47-61-574-10 | 47-61-594-10 | | | | |
| 1.6 (.063) | 2.5 (.098) | 3.5 (.138) | 2.6 (.103) | 5.9 (.23) | 10.4 (.41) | 47-62-514-14 | 47-62-534-14 | 47-62-554-10 | 47-62-574-10 | 47-62-594-10 | | | | |

Part numbers in shaded rows (shown in table) are fully retracting in minimum panel thickness



To add a black powder coated finish, change the part number from the table as shown:

- Change 1 to 5: 47-80-102-14
- 47-80-102-54
- Change 2 to 6: 47-80-102-24
- 47-80-102-64



For a smooth knob, change the part number from the table as shown:

- Change 0 to 1: 47-90-161-20
- 47-90-161-21
- Change 4 to 5: 47-90-101-24
- 47-90-101-25

Part Number

See table

All screw part numbers shown in table are for a natural knob finish and a knurled knob

For black finish and smooth knob options, minimums may apply



47 Captive Screws

Styled knob series · 1/4-20 thread size

- Designed for hand operation
- Spring ejected
- Wide variety of sizes, recesses and installation options

Material and Finish

Ferrule:

Press-in: Hardened carbon steel, zinc plate, chromate, plus sealer
 Flare-in and Floating: Aluminum, natural


Knob: Aluminum, natural or black powder coated

Screw: Hardened carbon steel, zinc plated, chromate, plus sealer

Installation Notes

See pages 546-547, 627

Notes

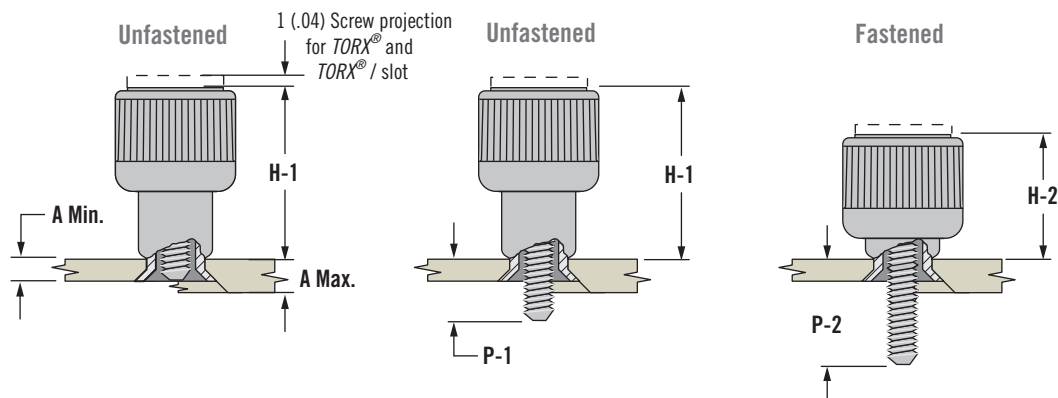
 To ensure you receive **SOUTHCO®** quality parts, look for the segmented circle

RecessStyles

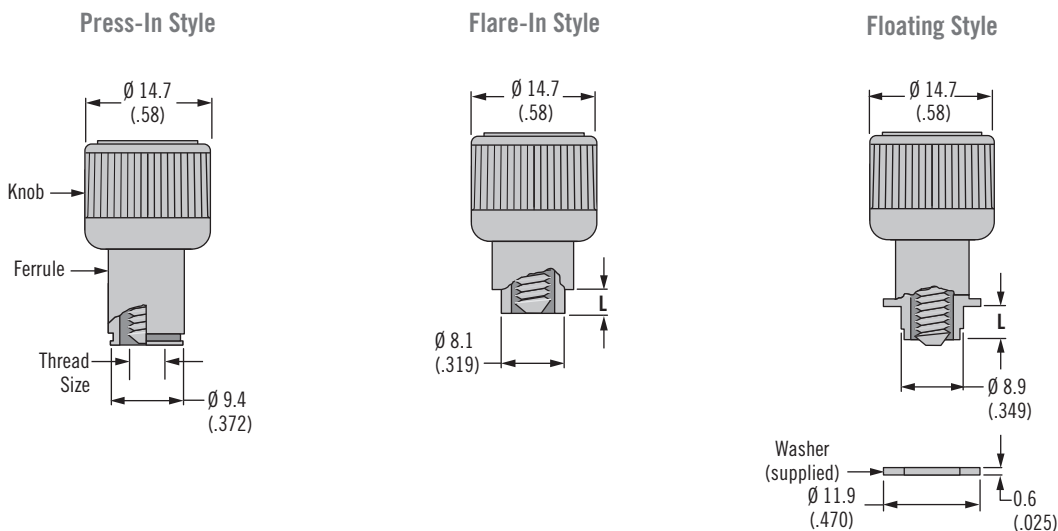


Knob Height and Screw Projection

(Flare-in style shown)



Installation Styles



TORX® is a registered trademark of CAMCAR Innovations

Dimensions in millimeters (inch) unless otherwise stated

| Installation Style | Knob Height | | Outer Panel Dimensions | | B | Total Float | Flange Length L | Screw Projection Beyond Outer Surface of Panel | | Part Number | | | | | | | | |
|--------------------|-------------|--------------|------------------------|------------|--------------|--------------|-----------------|--|--------------|----------------|-----------------|--------------|--------------------------|-----------------------------|--------------|--------------|--------------|--------------|
| | H-1 | H-2 | A Min. | A Max. | | | | P-1 | P-2 | Slotted Recess | Phillips Recess | TORX® Recess | TORX® / Slot Combination | Phillips / Slot Combination | | | | |
| Press-In Style | 20 (.79) | 13.4 (.53) | 0.9 (.036) | ~ | ~ | 0.8 (.03) | ~ | 0.5 (.02) | 7.1 (.28) | 47-60-601-24 | 47-60-621-24 | 47-60-641-20 | 47-60-661-20 | 47-60-681-20 | | | | |
| | | | | | | | | 2.1 (.08) | 8.7 (.34) | 47-61-601-24 | 47-61-621-24 | 47-61-641-20 | 47-61-661-20 | 47-61-681-20 | | | | |
| | | | | | | | | 3.7 (.15) | 10.3 (.41) | 47-62-601-24 | 47-62-621-24 | 47-62-641-20 | 47-62-661-20 | 47-62-681-20 | | | | |
| | | | | | | | | 5.3 (.21) | 11.9 (.47) | 47-63-601-24 | 47-63-621-24 | 47-63-641-20 | 47-63-661-20 | 47-63-681-20 | | | | |
| Flare-In Style | 19.3 (.76) | 12.7 (.50) | 1.5 (.058) | 3.2 (.125) | 0.4 (.015) | 0.9 (.03) | 1.8 (.070) | 1.2 (.05) | 7.8 (.31) | 47-10-602-14 | 47-10-622-14 | 47-10-642-10 | 47-10-662-10 | 47-10-682-10 | | | | |
| | | | 3.2 (.126) | 4.8 (.189) | 1.6 (.062) | | 3.4 (.135) | 2.8 (.11) | 9.4 (.37) | 47-10-604-14 | 47-10-624-14 | 47-10-644-10 | 47-10-664-10 | 47-10-684-10 | | | | |
| | | | 4.8 (.188) | 6.4 (.250) | 3.2 (.125) | | 5 (.197) | 4.4 (.17) | 11 (.43) | 47-10-606-14 | 47-10-626-14 | 47-10-646-10 | 47-10-666-10 | 47-10-686-10 | | | | |
| | | | 6.4 (.251) | 7.9 (.312) | 4.8 (.189) | | 6.6 (.260) | 6 (.24) | 12.6 (.50) | 47-10-608-14 | 47-10-628-14 | 47-10-648-10 | 47-10-668-10 | 47-10-688-10 | | | | |
| | | | 1.5 (.058) | 3.2 (.125) | 0.4 (.015) | | 1.8 (.070) | 2.8 (.11) | 9.4 (.37) | 47-11-602-14 | 47-11-622-14 | 47-11-642-10 | 47-11-662-10 | 47-11-682-10 | | | | |
| | | | 4.4 (.17) | 11 (.43) | 47-12-602-14 | | 47-12-622-14 | 47-12-642-10 | 47-12-662-10 | 47-12-682-10 | | | | | | | | |
| | | | 6 (.24) | 12.6 (.50) | 47-13-602-14 | | 47-13-622-14 | 47-13-642-10 | 47-13-662-10 | 47-13-682-10 | | | | | | | | |
| | | | 3.2 (.126) | 4.8 (.189) | 1.6 (.062) | | 3.4 (.135) | 4.4 (.17) | 11 (.43) | 47-11-604-14 | 47-11-624-14 | 47-11-644-10 | 47-11-664-10 | 47-11-684-10 | | | | |
| | | | 6 (.24) | 12.6 (.50) | 47-12-604-14 | | 47-12-624-14 | 47-12-644-10 | 47-12-664-10 | 47-12-684-10 | | | | | | | | |
| | | | 4.8 (.189) | 6.4 (.250) | 3.2 (.125) | | 5 (.197) | 6 (.24) | 12.6 (.50) | 47-11-606-14 | 47-11-626-14 | 47-11-646-10 | 47-11-666-10 | 47-11-686-10 | | | | |
| | | | Floating Style | 20 (.79) | 13.3 (.52) | | ~ | 0.8 (.031) | 2.3 (.090) | 2.3 (.09) | 3.2 (.127) | 2.1 (.08) | 8.8 (.35) | 47-10-610-14 | 47-10-630-14 | 47-10-650-10 | 47-10-670-10 | 47-10-690-10 |
| | | | | | | | 0.8 (.031) | 1.6 (.063) | 3.1 (.122) | | 3.7 (.15) | 10.4 (.41) | 47-11-610-14 | 47-11-630-14 | 47-11-650-10 | 47-11-670-10 | 47-11-690-10 | |
| 5.3 (.21) | 12 (.47) | 47-12-610-14 | | | | 47-12-630-14 | | | | | 47-12-650-10 | 47-12-670-10 | 47-12-690-10 | | | | | |
| 2.1 (.08) | 8.8 (.35) | 47-10-611-14 | | | | 47-10-631-14 | | | | | 47-10-651-10 | 47-10-671-10 | 47-10-691-10 | | | | | |
| 1.6 (.063) | 2.4 (.094) | 3.9 (.153) | | | | 3.7 (.15) | 10.4 (.41) | 47-11-611-14 | 47-11-631-14 | | 47-11-651-10 | 47-11-671-10 | 47-11-691-10 | | | | | |
| | | | | | | 5.3 (.21) | 12 (.47) | 47-12-611-14 | 47-12-631-14 | | 47-12-651-10 | 47-12-671-10 | 47-12-691-10 | | | | | |
| | | | | | | 3.7 (.15) | 10.4 (.41) | 47-10-612-14 | 47-10-632-14 | | 47-10-652-10 | 47-10-672-10 | 47-10-692-10 | | | | | |
| 5.3 (.21) | 12 (.47) | 47-11-610-14 | | | | 47-11-632-14 | 47-11-652-10 | 47-11-672-10 | 47-11-692-10 | | | | | | | | | |

Part numbers in shaded rows (shown in table) are fully retracting in minimum panel thickness



To add a black powder coated finish, change the part number from the table as shown:

- Change 1 to 5: 47-80-102-14
- 47-80-102-54
- Change 2 to 6: 47-80-102-24
- 47-80-102-64



For a smooth knob, change the part number from the table as shown:

- Change 0 to 1: 47-90-161-20
- 47-90-161-21
- Change 4 to 5: 47-90-101-24
- 47-90-101-25

Part Number

See table

All screw part numbers shown in table are for a natural knob finish and a knurled knob

For black finish and smooth knob options, minimums may apply



4C Captive Screws

Prism series · M3, M4 and M5 thread size

- Designate access points with color
- Color match captive screws to your industrial design
- High strength screw for use with high torque drivers
- Knurled and smooth knobs available

Material and Finish

Knob: PC/ABS

Screw: Hardened carbon steel, zinc plate, chromate, plus sealer

Spring: 300 series stainless steel, passivated

Standoff:

Press-in: Carbon steel, zinc plate, chromate, plus sealer

PCB: Stainless steel

Flare-in and Floating:

Aluminum, natural

Performance Details

Flammability Rating: UL94-V0

Installation Notes

See pages 546-547, 627

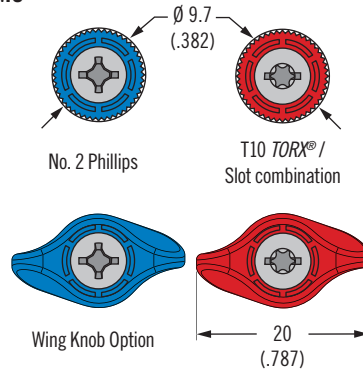
See page 558 for details on ATCA compliant captive screws.



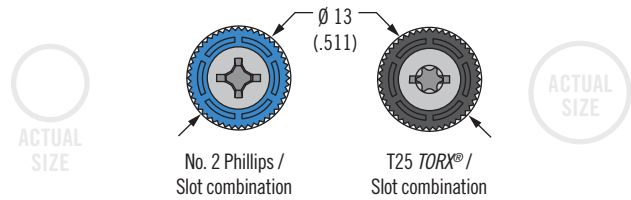
To ensure you receive **SOUTHCO®** quality parts, look for the segmented circle.

Recess Styles

M3

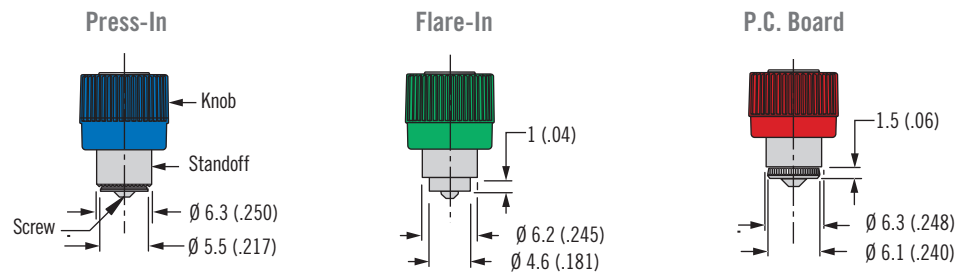


M4 and M5

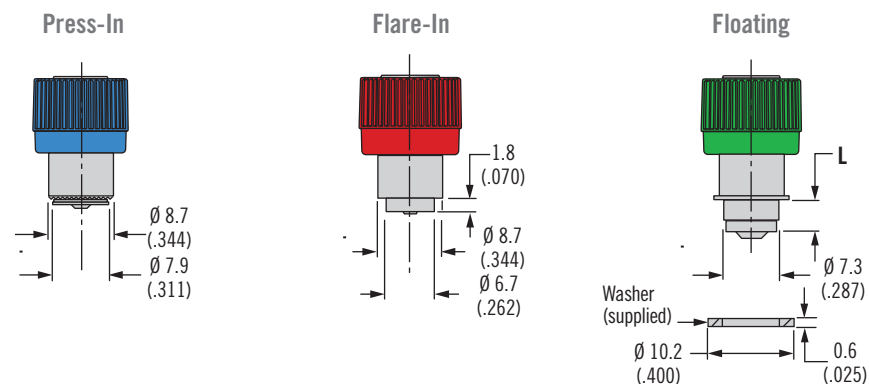


Installation Styles

M3

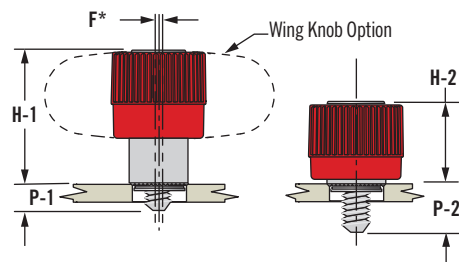


M4 and M5



Knob Height and Screw Projection

(Press-in style shown)



TORX® is a registered trademark of CAMCAR Innovations

Dimensions in millimeters (inch) unless otherwise stated

M3 Thread Size

| Installation Style | Outer Panel Dimensions | | B | Part Number | | Screw Projection Beyond Outer Surface of Panel | | Knob Height† | | Total Float | Panel Preparation | |
|--------------------|------------------------|---------------|-------------------|-------------------|--------------------------|--|---------------|---------------|---------------|-------------|--|--|
| | A Min. | A Max. | | Phillips Recess | TORX® / Slot Combination | P-1 | P-2 | H-1 | H-2 | | F* | ∅ D |
| Press-In Style | 0.9 (.036) | ~ | ~ | 4C-PH-M3-1P0-K000 | 4C-TS-M3-1P0-K000 | 0.8 (.03) | 3.7 (.15) | 11.5 (.45) | 8.6 (.34) | 0.7 (.03) | 5.6 ^{+0.04} _{-0.04} (.219 ^{+0.02} _{-0.02}) | 3.2 ^{+0.2} _{-0.1} (.125 ^{+0.08} _{-0.04}) |
| | | | | 4C-PH-M3-2P0-K000 | 4C-TS-M3-2P0-K000 | 2.5 (.10) | 5.4 (.21) | | | | | |
| | 0.8 (.031) | 1.2 (.047) | ~ | 4C-P1-P-0637-K000 | 4C-B1-P-0637-K000 | 0.6 (.024) | 3.7 (.15) | 12.7 (.50) | 9.6 (.38) | | 5.6 ^{+0.08} _{-0.0} (.219 ^{+0.03} _{-0.0}) | 3.2 ^{+0.2} _{-0.1} (.125 ^{+0.08} _{-0.04}) |
| | | | | 4C-P1-P-0647-K000 | 4C-B1-P-0647-K000 | | 4.7 (.19) | 15.1 (.59) | 11 (.43) | | | |
| | | | | 4C-P1-P-0657-K000 | 4C-B1-P-0657-K000 | | 5.7 (.22) | 16.1 (.63) | | | | |
| | | | | 4C-PH-M3-1B0-K000 | 4C-TS-M3-1B0-K000 | | 1.5 (.06) | 3.8 (.15) | | | | |
| Flare-In Style | 0.8 (.031) | 1.5 (.058) | 0.4 (.016) | 4C-PH-M3-1F1-K000 | 4C-TS-M3-1F1-K000 | 0.8 (.03) | 3.7 (.15) | 11.5 (.45) | 8.6 (.34) | 0.7 (.03) | 4.8 ^{+0.08} _{-0.05} (.189 ^{+0.03} _{-0.02}) | 3.0 ^{+0.2} _{-0.1} (.125 ^{+0.08} _{-0.04}) |
| | | | | 4C-PH-M3-2F1-K000 | 4C-TS-M3-2F1-K000 | 2.5 (.10) | 5.4 (.21) | | | | | |
| | 1.2 (.047) | 0.2 (.008) | 4C-P1-F-0637-K000 | 4C-B1-F-0637-K000 | 0.6 (.024) | 3.7 (.15) | 12.7 (.50) | 9.6 (.38) | | | | |
| | | | 4C-P1-F-0647-K000 | 4C-B1-F-0647-K000 | | 4.7 (.19) | 15.1 (.59) | 11 (.43) | | | | |
| | | | 4C-P1-F-0657-K000 | 4C-B1-F-0657-K000 | | 5.7 (.22) | 16.1 (.63) | | | | | |
| | | | 4C-PH-M3-1B0-K000 | 4C-TS-M3-1B0-K000 | | 1.5 (.06) | 3.8 (.15) | | 10.9 (.43) | | 8.5 (.33) | |

(shown in table)



000
Black



008
Blue



013
Red



014
Green



Your Color
Contact Southco

Part Number

See table

Specify Wing Knob:

(M3, Press-in, Flare-in only)

To indicate Wing Knob option, change K to W of the part number

Example:

4C-PH-M3-1P0-K000, Round Knob

4C-PH-M3-1P0-W000, Wing Knob

Notes: *F indicates the maximum float in the unfastened position.

† For panels thinner than 0.9 (.036), contact Southco.

TORX® is a registered trademark of CAMCAR Innovations

Part Number

See table

To indicate color, change the last three digits of the part number. For knob style, K = knurled and N = smooth. For smooth knob change K to N. Example:

4C-PS-06-1P0-K000, black, knurled

4C-PS-06-1P0-N013, red, smooth

M4 Thread Size

| Installation Style | Outer Panel Dimensions | | B | L | Part Number | | Screw Projection Beyond Outer Surface Of Panel | | Knob Height† | | Total Float | Panel Preparation | |
|--------------------|------------------------|---------------|---------------|---------------|-----------------------------|--------------------------|--|------------|---------------|---------------|--------------|---|---|
| | A Min. | A Max. | | | Phillips / Slot Combination | TORX® / Slot Combination | P-1 | P-2 | H-1 | H-2 | | F* | ∅ D |
| Press-In Style | 0.9 (.036)v | ~ | ~ | ~ | 4C-PS-M4-1P0-K000 | 4C-TS-M4-1P0-K000 | 0.5 (.02) | 5.6 (.22) | 16.3 (.64) | 11.3 (.45) | 0.7 (.03) | 8 ⁺⁰ _{-0.08} (.315 ⁺⁰ _{-.003}) | 4.4 ^{+0.2} _{-0.1} (.173 ^{+0.008} _{-.004}) |
| | | | | | 4C-PS-M4-2P0-K000 | 4C-TS-M4-2P0-K000 | 2 (.08) | 7.1 (.28) | | | | | |
| Flare-In Style | 1.5 (.060) | 3.2 (.058) | 0.4 (.016) | ~ | 4C-PS-M4-1F1-K000 | 4C-TS-M4-1F1-K000 | 0.6 (.02) | 5.6 (.22) | 16.3 (.64) | 11.3 (.45) | 0.6 (.02) | 6.8 ^{+0.08} _{-0.04} (.266 ^{+0.005} _{-.0}) | 4.2 ^{+0.05} ₋₀ (.165 ^{+0.002} _{-.0}) |
| | | | | | 4C-PS-M4-2F1-K000 | 4C-TS-M4-2F1-K000 | 2.1 (.08) | 7.1 (.28) | | | | | |
| Floating Style | 0.8 (.031) | 1.6 (.063) | 3.1 (.122) | 4 (.158) | 4C-PS-M4-3T2-K000 | 4C-TS-M4-3T2-K000 | 3.8 (.15) | 8.8 (.35) | 16.2 (.64) | 11.2 (.44) | 2.3 (.09) | 8.8 ^{+0.08} _{-0.03} (.346 ^{+0.003} _{-.001}) | ~ |
| | | | | | 4C-PS-M4-4T2-K000 | 4C-TS-M4-4T2-K000 | 5.4 (.21) | 10.4 (.41) | | | | | |
| | 1.6 (.063) | 2.4 (.094) | 3.9 (.153) | 4.8 (.190) | 4C-PS-M4-3T3-K000 | 4C-TS-M4-3T3-K000 | 3.8 (.15) | 8.8 (.35) | | | | | |
| | | | | | 4C-PS-M4-4T3-K000 | 4C-TS-M4-4T3-K000 | 5.4 (.21) | 10.4 (.41) | | | | | |

M5 Thread Size

| Installation Style | Outer Panel Dimensions | | B | L | Part Number | | Screw Projection Beyond Outer Surface of Panel | | Knob Height† | | Total Float | Panel Preparation | |
|--------------------|------------------------|---------------|---------------|-------------|-----------------------------|--------------------------|--|------------|---------------|---------------|-------------|---|---|
| | A Min. | A Max. | | | Phillips / Slot Combination | TORX® / Slot Combination | P-1 | P-2 | H-1 | H-2 | | F* | ∅ D |
| Press-In Style | 0.9 (.036)† | ~ | ~ | ~ | 4C-PS-M5-1P0-K000 | 4C-TS-M5-1P0-K000 | 0.4 (.2) | 5.6 (.22) | 16.4 (.65) | 11.3 (.45) | 0.8 (.03) | 8 ⁺⁰ _{-0.08} (.315 ⁺⁰ _{-.003}) | 5.2 ^{+0.2} _{-0.1} (.205 ^{+0.008} _{-.004}) |
| | | | | | 4C-PS-M5-2P0-K000 | 4C-TS-M5-2P0-K000 | 2 (.08) | 7.2 (.28) | | | | | |
| Flare-In Style | 1.5 (.06) | 3.2 (.058) | 0.4 (.016) | ~ | 4C-PS-M5-1F1-K000 | 4C-TS-M5-1F1-K000 | 0.5 (.02) | 5.6 (.22) | 16.4 (.65) | 11.3 (.45) | 0.7 (.03) | 6.8 ^{+0.08} _{-0.04} (.266 ^{+0.005} _{-.0}) | 4.9 ^{+0.05} ₋₀ (.191 ^{+0.002} _{-.0}) |
| | | | | | 4C-PS-M5-2F1-K000 | 4C-TS-M5-2F1-K000 | 2.1 (.08) | 7.2 (.28) | | | | | |
| Floating Style | 0.8 (.031) | 1.6 (.063) | 3.1 (.122) | 4 (.158) | 4C-PS-M5-3T2-K000 | 4C-TS-M5-3T2-K000 | 3.7 (.15) | 8.9 (.35) | 16.3 (.64) | 11.2 (.44) | 2.3 (.09) | 8.8 ^{+0.08} _{-0.03} (.346 ^{+0.003} _{-.001}) | ~ |
| | | | | | 4C-PS-M5-4T2-K000 | 4C-TS-M5-4T2-K000 | 5.3 (.21) | 10.5 (.41) | | | | | |

Part Number

See table

To indicate color, change the last three digits of the part number. For knob style, K = knurled and N = smooth. For smooth knob change K to N. Example:

4C-PS-06-1P0-K000, black, knurled
4C-PS-06-1P0-N013, red, smooth

Part Number

See table

Specify Wing Knob:

(M3, Press-in, Flare-in only)

To indicate Wing Knob option, change K to W of the part number

Example:

4C-PH-M3-1P0-K000, Round Knob

4C-PH-M3-1P0-W000, Wing Knob

Notes: *F indicates the maximum float in the unfastened position.

† For panels thinner than 0.9 (.036), contact Southco.

TORX® is a registered trademark of CAMCAR Innovations



000
Black



008
Blue



013
Red



014
Green



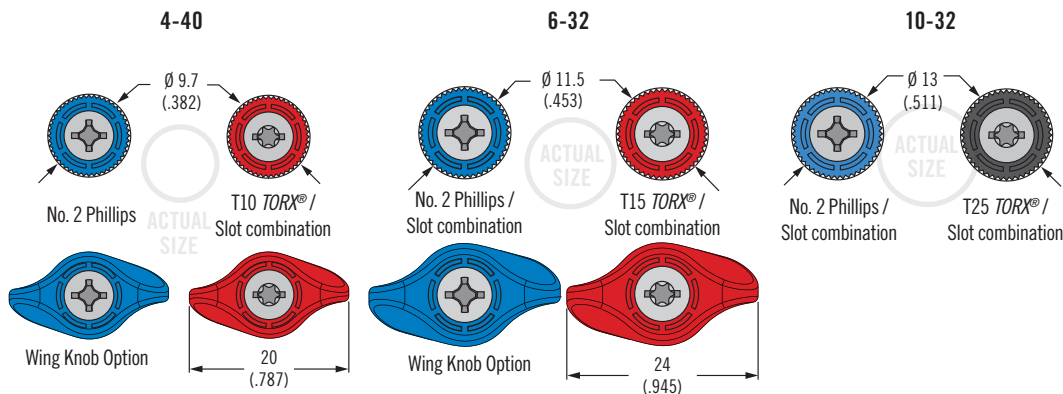
Your Color
Contact Southco

4C Captive Screws

Prism series · 4-40, 6-32 and 10-32 thread size

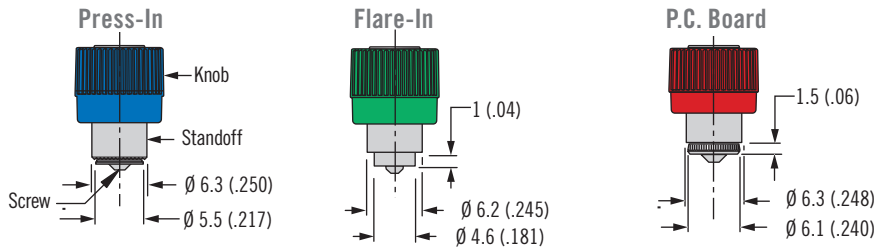


Recess Styles

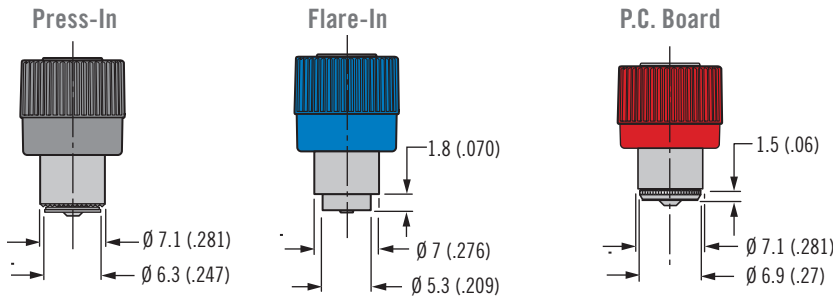


Installation Styles

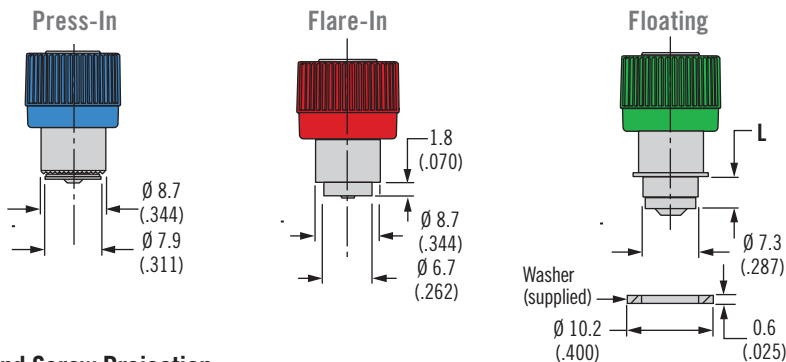
4-40



6-32

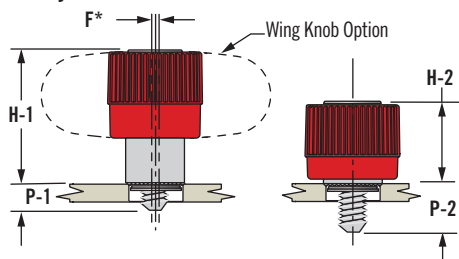


10-32



Knob Height and Screw Projection

(Press-in style shown)



Dimensions in millimeters (inch) unless otherwise stated

- Designate access points with color
- Color match captive screws to your industrial design
- High strength screw for use with high torque drivers
- Knurled, smooth and wing knobs available

Material and Finish

Knob: PC/ABS

Screw: Hardened carbon steel, zinc plate, chromate, plus sealer

Spring: 300 series stainless steel, passivated

Standoff:

Press-in: Carbon steel, zinc plate, chromate, plus sealer

PCB: Stainless steel


Flare-in and Floating: Aluminum, natural

Performance Details

Flammability Rating: UL94-V0

Installation Notes

See pages 546-547, 627

 To ensure you receive **SOUTHCO**® quality parts, look for the segmented circle.

TORX® is a registered trademark of CAMCAR Innovations

4-40 Thread Size

| Installation Style | Outer Panel Dimensions | | B | Part Number | | Screw Projection Beyond Outer Surface of Panel | | Knob Height† | | Total Float | Panel Preparation | |
|--------------------|------------------------|---------------|---------------|-------------------|--------------------------|--|-----------|---------------|--------------|--------------|--|--|
| | A Min. | A Max. | | Phillips Recess | TORX® / Slot Combination | P-1 | P-2 | H-1 | H-2 | | F* | ∅ D |
| Press-In Style | 0.9† (.036) | ~ | ~ | 4C-PH-04-1P0-K000 | 4C-TS-04-1P0-K000 | 0.8 (.03) | 3.8 (.15) | 11.5 (.45) | 8.6 (.34) | 0.7 (.03) | 5.6 ^{+0.04} _{-0.04} (.219 ^{+0.003} ₋₀) | 3.2 ^{+0.2} _{-0.1} (.125 ^{+0.008} _{-0.004}) |
| | | | | 4C-PH-04-2P0-K000 | 4C-TS-04-2P0-K000 | 2.5 (.10) | 5.3 (.21) | | | | | |
| P.C. Board Style | 1.6 (.063) | ~ | ~ | 4C-PH-04-1B0-K000 | 4C-TS-04-1B0-K000 | 1.5 (.06) | 3.8 (.15) | 10.9 (.43) | 8.5 (.33) | 0.7 (.03) | 5.6 ^{+0.1} _{-0.05} (.219 ^{+0.004} _{-0.002}) | 3.2 ^{+0.2} _{-0.1} (.125 ^{+0.008} _{-0.004}) |
| | | | | 4C-PH-04-2B0-K000 | 4C-TS-04-2B0-K000 | 3.3 (.13) | 5.5 (.22) | | | | | |
| Flare-In Style | 0.8 (.031) | 1.5 (.059) | 0.4 (.016) | 4C-PH-04-1F1-K000 | 4C-TS-04-1F1-K000 | 0.8 (.03) | 3.7 (.15) | 11.5 (.45) | 8.6 (.34) | 0.7 (.03) | 4.8 ^{+0.08} _{-0.05} (.187 ^{+0.005} _{-0.000}) | 3.0 ^{+0.2} _{-0.1} (.125 ^{+0.008} _{-0.004}) |
| | | | | 4C-PH-04-2F1-K000 | 4C-TS-04-2F1-K000 | 2.5 (.10) | 5.4 (.21) | | | | | |

Part Number

See table

To indicate color, change the last three digits of the part number.

For knob style, K = knurled and N = smooth. For smooth knob change K to N. Example:

4C-PS-06-1P0-K000, black, knurled
4C-PS-06-1P0-N013, red, smooth



000
Black



008
Blue



013
Red



014
Green



Your Color
Contact Southco

Part Number

See table

Specify Wing Knob:

(4-40 and 6-32, Press-in and Flare-in only)

To indicate Wing Knob option, change K to W of the part number

Example:

4C-PS-06-1P0-K000, Round Knob

4C-PS-06-1P0-W000, Wing Knob

Notes: *F indicates the maximum float in the unfastened position.
† For panels thinner than 0.9 (.036), contact Southco.

TORX® is a registered trademark of CAMCAR Innovations

6-32 Thread Size

| Installation Style | Outer Panel Dimensions | | B | Part Number | | Screw Projection Beyond Outer Surface of Panel | | Knob Height† | | Total Float | Panel Preparation | | | | |
|--------------------|------------------------|---------------|---------------|-----------------------------|--------------------------|--|-----------|---------------|---------------|--------------|--|--|--|----------------------------|--|
| | A Min. | A Max. | | Phillips / Slot Combination | TORX® / Slot Combination | P-1 | P-2 | H-1 | H-2 | | F* | ∅ D | ∅ Z | | |
| Press-In Style | 0.9† (.036) | ~ | ~ | 4C-PS-06-1P0-K000 | 4C-TS-06-1P0-K000 | 0.7 (.03) | 5 (.20) | 15.5 (.61) | 11.3 (.44) | 0.7 (.03) | 6.4 ^{+0.03} _{-0.05} (.250 ^{+0.01} _{-0.02}) | 3.7 ^{+0.2} _{-0.1} (.146 ^{+0.08} _{-0.04}) | | | |
| | | | | 4C-PS-06-2P0-K000 | 4C-TS-06-2P0-K000 | 2.3 (.09) | 6.6 (.26) | | | | 5.8 ^{+0.08} _{-0.00} (.228 ^{+0.03} _{-0.00}) | 3.7 ^{+0.2} _{-0.1} (.146 ^{+0.08} _{-0.04}) | | | |
| | 0.8 (.031) | 1.6 (.063) | ~ | 4C-AB-P-0740-K000 | 4C-BB-P-0740-K000 | 0.7 (.03) | 4 (.16) | 14.6 (.57) | 11.3 (.44) | | 0.7 (.03) | 6.4 ± 0.1 (.252 ± .004) | 3.7 ^{+0.2} _{-0.1} (.146 ^{+0.08} _{-0.04}) | | |
| | | | | 4C-AB-P-0750-K000 | 4C-BB-P-0750-K000 | | 5 (.20) | 15.6 (.61) | | | | | | | |
| | | | | 4C-AB-P-0760-K000 | 4C-BB-P-0760-K000 | | 6 (.24) | 16.6 (.65) | | | | | | | |
| | | | | 4C-AB-P-0770-K000 | 4C-BB-P-0770-K000 | | 7 (.28) | 17.6 (.69) | | | | | | | |
| | | | | 4C-AB-P-0740-W000 | 4C-BB-P-0740-W000 | | 4 (.16) | 14.6 (.57) | | | | | | | |
| 4C-AB-P-0750-W000 | 4C-BB-P-0750-W000 | 5 (.20) | 15.6 (.61) | | | | | | | | | | | | |
| P.C. Board Style | 1.5 (.06) | ~ | ~ | 4C-PS-06-1B0-K000 | 4C-TS-06-1B0-K000 | 1.7 (.07) | 6.2 (.25) | 14.5 (.57) | 10 (.39) | 0.7 (.03) | 6.4 ± 0.1 (.252 ± .004) | 3.7 ^{+0.2} _{-0.1} (.146 ^{+0.08} _{-0.04}) | | | |
| Flare-In Style | 1.5 (.059) | 3.2 (.125) | 0.4 (.016) | 4C-PS-06-1F1-K000 | 4C-TS-06-1F1-K000 | 0.8 (.03) | 5 (.20) | 15.5 (.61) | 11.3 (.44) | 0.7 (.03) | 5.4 ^{+0.1} _{-0.0} (.213 ^{+0.05} _{-0.00}) | 3.7 ^{+0.2} _{-0.1} (.146 ^{+0.08} _{-0.04}) | | | |
| | | | | 4C-PS-06-2F1-K000 | 4C-TS-06-2F1-K000 | 2.3 (.09) | 6.6 (.26) | | | | | | 4 (.16) | 14.6 (.57) | |
| | 0.8 (.031) | 1.6 (.063) | 0.2 (.008) | 4C-AB-F-0740-K000 | 4C-BB-F-0740-K001 | 0.7 (.03) | 4 (.16) | 14.6 (.57) | 11.3 (.44) | | | | 0.7 (.03) | 6.4 ± 0.1 (.252 ± .004) | 3.7 ^{+0.2} _{-0.1} (.146 ^{+0.08} _{-0.04}) |
| | | | | 4C-AB-F-0750-K000 | 4C-BB-F-0750-K000 | | 5 (.20) | 15.6 (.61) | | | | | | | |
| | | | | 4C-AB-F-0760-K000 | 4C-BB-F-0760-K000 | | 6 (.24) | 16.6 (.65) | | | | | | | |
| | | | | 4C-AB-F-0770-K000 | 4C-BB-F-0770-K000 | | 7 (.28) | 17.6 (.69) | | | | | | | |
| | | | | 4C-AB-F-0740-W000 | 4C-BB-F-0740-W000 | | 4 (.16) | 14.6 (.57) | | | | | | | |
| 4C-AB-F-0750-W000 | 4C-BB-F-0750-W000 | 5 (.20) | 15.6 (.61) | | | | | | | | | | | | |

10-32 Thread Size

| Installation Style | Outer Panel Dimensions | | B | L | Part Number | | Screw Projection Beyond Outer Surface of Panel | | Knob Height† | | Total Float | Panel Preparation | |
|--------------------|------------------------|---------------|---------------|---------------|-----------------------------|--------------------------|--|------------|---------------|--------------|--------------|--|--|
| | A Min. | A Max. | | | Phillips / Slot Combination | TORX® / Slot Combination | P-1 | P-2 | H-1 | H-2 | | F* | ∅ D |
| Press-In Style | 0.9† (.036) | ~ | ~ | ~ | 4C-PS-10-1P0-K000 | 4C-TS-10-1P0-K000 | 0.5 (.02) | 5.6 (.22) | 11.3 (.45) | 0.6 (.02) | 0.6 (.02) | 8 ⁺⁰ _{-0.08} (.315 ⁺⁰ _{-0.03}) | 5.2 ^{+0.2} _{-0.1} (.205 ^{+0.08} _{-0.04}) |
| | | | | | 4C-PS-10-2P0-K000 | 4C-TS-10-2P0-K000 | 2 (.08) | 7.1 (.28) | | | | 6.8 ^{+0.08} _{-0.04} (.266 ^{+0.05} ₋₀) | 4.9 ^{+0.05} ₋₀ (.191 ^{+0.02} ₋₀) |
| Flare-In Style | 1.5 (.058) | 3.2 (.125) | 0.4 (.016) | 1.8 (.070) | 4C-PS-10-1F1-K000 | 4C-TS-10-1F1-K000 | 0.6 (.02) | 5.6 (.22) | 16.3 (.64) | 0.6 (.02) | 0.6 (.02) | 8 ^{+0.08} _{-0.04} (.346 ^{+0.08} _{-0.03}) | ~ |
| | | | | | 4C-PS-10-2F1-K000 | 4C-TS-10-2F1-K000 | 2.1 (.08) | 7.1 (.28) | | | | 8.8 ^{+0.08} _{-0.03} (.346 ^{+0.08} _{-0.03}) | ~ |
| Floating Style | 0.8 (.031) | 1.6 (.063) | 3.1 (.122) | 4 (.158) | 4C-PS-10-3T2-K000 | 4C-TS-10-3T2-K000 | 3.8 (.15) | 8.8 (.35) | 11.2 (.44) | 2.3 (.09) | 2.3 (.09) | 8.8 ^{+0.08} _{-0.03} (.346 ^{+0.08} _{-0.03}) | ~ |
| | 1.6 (.063) | 2.4 (.094) | 3.9 (.153) | 4.8 (.190) | 4C-PS-10-4T2-K000 | 4C-TS-10-4T2-K000 | 5.4 (.21) | 10.4 (.41) | | | | 8.8 ^{+0.08} _{-0.03} (.346 ^{+0.08} _{-0.03}) | ~ |
| | | | | | 4C-PS-10-3T3-K000 | 4C-TS-10-3T3-K000 | 3.8 (.15) | 8.8 (.35) | | | | ~ | ~ |
| | | | | | 4C-PS-10-4T3-K000 | 4C-TS-10-4T3-K000 | 5.4 (.21) | 10.4 (.41) | | | | ~ | ~ |

(shown in table)



000
Black



008
Blue



013
Red



014
Green



Your Color
Contact Southco

Part Number

See table

Specify Wing Knob:

(4-40 and 6-32, Press-in and Flare-in only)

To indicate Wing Knob option, change K to W of the part number

Example:

4C-PS-06-1P0-K000, Round Knob

4C-PS-06-1P0-W000, Wing Knob

Notes: *F indicates the maximum float in the unfastened position.

† For panels thinner than 0.9 (.036), contact Southco.

TORX® is a registered trademark of CAMCAR Innovations



47 Captive Screws

Restricted access series · M4 and M5 thread size

- Reduces risk of unauthorized access
- Meets UL-1950, IEC 950 and EN-60950
- Hand operation to secure with tool-only removal

Material and Finish

Ferrule:

Press-in: Hardened carbon steel, zinc plate, chromate, plus sealer
Flare-in and Floating: Aluminum, natural

Knob: Aluminum, natural or black organic coating

Screw: Hardened carbon steel, zinc plate, chromate, plus sealer

Installation Notes

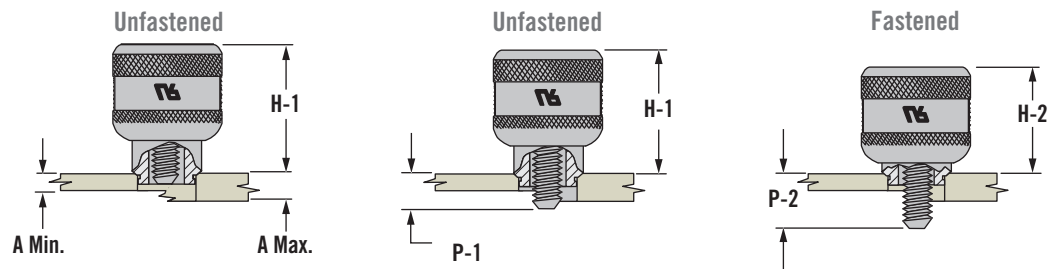
See pages 546-547, 627

Recess Styles

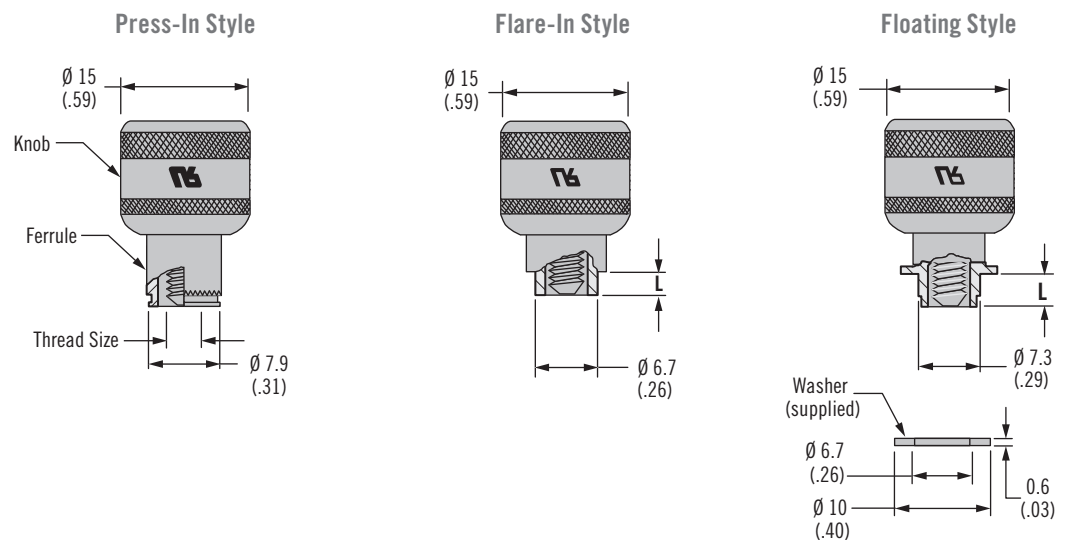


Knob Height and Screw Projection

(Press-in style shown)



Installation Styles



TORX® is a registered trademark of CAMCAR Innovations

M4 Thread Size

| Installation Style | Knob Height | | Outer Panel Dimensions | | Dimension B* | Flange Length L | Screw Projection Beyond Outer Surface of Panel | | Part Number | | | | | | |
|--------------------|-------------|----------|------------------------|------------|--------------|-----------------|--|------------|----------------|-----------------|--------------|------------|--------------|--------------|--------------|
| | H-1 | H-2 | A Min. | A Max. | | | P-1 | P-2 | Slotted Recess | Phillips Recess | TORX® Recess | | | | |
| Press-In Style | 18.5 (.73) | 14 (.55) | 0.9 (.036) | ~ | ~ | ~ | 0.7 (.03) | 5.6 (.22) | 47-90-301-22 | 47-90-321-22 | 47-90-341-22 | | | | |
| | | | | | | | 2.3 (.09) | 7.2 (.28) | 47-91-301-22 | 47-91-321-22 | 47-91-341-22 | | | | |
| | | | | | | | 3.8 (.15) | 8.7 (.34) | 47-92-301-22 | 47-92-321-22 | 47-92-341-22 | | | | |
| | | | | | | | 5.4 (.21) | 10.3 (.41) | 47-93-301-22 | 47-93-321-22 | 47-93-341-22 | | | | |
| Flare-In Style | 18 (.70) | 13 (.51) | 1.5 (.058) | 3.2 (.125) | 0.6 (.023) | 1.8 (.07) | 1.4 (.06) | 6.2 (.24) | 47-80-302-22 | 47-80-322-22 | 47-80-342-22 | | | | |
| | | | 3.2 (.125) | 4.8 (.188) | 1.6 (.062) | 3.4 (.14) | 3.1 (.12) | 7.9 (.31) | 47-80-304-22 | 47-80-324-22 | 47-80-344-22 | | | | |
| | | | 1.5 (.058) | 3.2 (.125) | 0.6 (.023) | 1.8 (.07) | 3.1 (.12) | 7.9 (.31) | 47-81-302-22 | 47-81-322-22 | 47-81-342-22 | | | | |
| | | | | | | | 4.1 (.16) | 8.9 (.35) | 47-82-302-22 | 47-82-322-22 | 47-82-342-22 | | | | |
| | | | | | | | 6.1 (.24) | 10.9 (.43) | 47-83-302-22 | 47-83-322-22 | 47-83-342-22 | | | | |
| | | | | | | | 2.4 (.09) | 7.2 (.28) | 47-80-310-22 | 47-80-330-22 | 47-80-350-22 | | | | |
| Floating Style | 18 (.70) | 14 (.55) | 0.1 (.001) | 0.8 (.031) | 2.3 (.09) | 3.2 (.13) | 3.4 (.13) | 8.2 (.32) | 47-81-310-22 | 47-81-330-22 | 47-81-350-22 | | | | |
| | | | | | | | 5.4 (.21) | 10.2 (.40) | 47-82-310-22 | 47-82-330-22 | 47-82-350-22 | | | | |
| | | | | | | | 0.8 (.031) | 1.6 (.063) | 3.1 (.12) | 4 (.16) | 2.4 (.09) | 7.2 (.22) | 47-80-311-22 | 47-80-331-22 | 47-80-351-22 |
| | | | | | | | | | | | 3.4 (.13) | 8.2 (.32) | 47-81-311-22 | 47-81-331-22 | 47-81-351-22 |
| | | | | | | | | | | | 5.4 (.21) | 10.2 (.40) | 47-82-311-22 | 47-82-331-22 | 47-82-351-22 |
| | | | | | | | | | | | 2.4 (.09) | 7.2 (.28) | 47-80-310-22 | 47-80-330-22 | 47-80-350-22 |

M5 Thread Size

| | | | | | | | | | | | | | | | |
|----------------|------------|--------------|--------------|--------------|------------|--------------|--------------|--------------|--------------|--------------|--------------|------------|--------------|--------------|--------------|
| Press-In Style | 18.5 (.73) | 14 (.55) | 0.9 (.036) | ~ | ~ | ~ | 0.7 (.03) | 5.6 (.22) | 47-90-501-22 | 47-90-521-22 | 47-90-541-22 | | | | |
| | | | | | | | 2.3 (.09) | 7.2 (.28) | 47-91-501-22 | 47-91-521-22 | 47-91-541-22 | | | | |
| | | | | | | | 3.8 (.15) | 8.7 (.34) | 47-92-501-22 | 47-92-521-22 | 47-92-541-22 | | | | |
| | | | | | | | 5.4 (.21) | 10.3 (.41) | 47-93-501-22 | 47-93-521-22 | 47-93-541-22 | | | | |
| Flare-In Style | 18 (.70) | 13 (.51) | 1.5 (.058) | 3.2 (.125) | 0.6 (.023) | 1.8 (.07) | 1.4 (.06) | 6.2 (.24) | 47-80-502-22 | 47-80-522-22 | 47-80-542-22 | | | | |
| | | | 3.2 (.125) | 4.8 (.188) | 1.6 (.062) | 3.4 (.14) | 3.1 (.12) | 7.9 (.31) | 47-80-504-22 | 47-80-524-22 | 47-80-544-22 | | | | |
| | | | 1.5 (.058) | 3.2 (.125) | 0.6 (.023) | 1.8 (.07) | 3.1 (.12) | 7.9 (.31) | 47-81-502-22 | 47-81-522-22 | 47-81-542-22 | | | | |
| | | | | | | | 4.1 (.16) | 8.9 (.35) | 47-82-502-22 | 47-82-522-22 | 47-82-542-22 | | | | |
| | | | | | | | 6.1 (.24) | 10.9 (.43) | 47-83-502-22 | 47-83-522-22 | 47-83-542-22 | | | | |
| | | | | | | | 4.1 (.16) | 8.9 (.35) | 47-81-504-22 | 47-81-524-22 | 47-81-544-22 | | | | |
| Floating Style | 18 (.70) | 14 (.55) | 0.1 (.001) | 0.8 (.031) | 2.3 (.09) | 3.2 (.13) | 2.4 (.09) | 7.2 (.28) | 47-80-510-22 | 47-80-530-22 | 47-80-550-22 | | | | |
| | | | | | | | 3.4 (.13) | 8.2 (.32) | 47-81-510-22 | 47-81-530-22 | 47-81-550-22 | | | | |
| | | | | | | | 5.4 (.21) | 10.2 (.40) | 47-82-510-22 | 47-82-530-22 | 47-82-550-22 | | | | |
| | | | | | | | 0.8 (.031) | 1.6 (.063) | 3.1 (.12) | 4 (.16) | 2.4 (.09) | 7.2 (.28) | 47-80-511-22 | 47-80-531-22 | 47-80-551-22 |
| | | | | | | | | | | | 3.4 (.13) | 8.2 (.32) | 47-81-511-22 | 47-81-531-22 | 47-81-551-22 |
| | | | | | | | | | | | 5.4 (.21) | 10.4 (.40) | 47-82-511-22 | 47-82-531-22 | 47-82-551-22 |
| 3.4 (.15) | 8.2 (.35) | 47-80-512-22 | 47-80-532-22 | 47-80-552-22 | | | | | | | | | | | |
| 1.6 (.063) | 2.4 (.094) | 3.9 (.15) | 4.8 (.19) | 5.4 (.21) | 10.2 (.40) | 47-81-512-22 | 47-81-532-22 | 47-81-552-22 | | | | | | | |

Part numbers in shaded rows (shown in table) are fully retracting in minimum panel thickness



To add a black finish, change the part number from the table as shown:

Change 2 to 6: 47-80-102-22
 47-80-102-62

TORX® is a registered trademark of CAMCAR Innovations

Dimensions in millimeters (inch) unless otherwise stated

Part Number

See table

All screw part numbers shown in table are for a natural finish

For black finish minimums may apply



47 Captive Screws

Restricted access series · 6-32 and 10-32 thread size

- Reduces risk of unauthorized access
- Meets UL-1950, IEC 950 and EN-60950
- Hand operation to secure with tool-only removal

Material and Finish

Ferrule:

Press-in: Hardened carbon steel, zinc plate, chromate, plus sealer
Flare-in and Floating: Aluminum, natural

Knob: Aluminum, natural or black organic coating

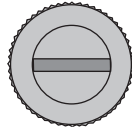
Screw: Hardened carbon steel, zinc plate, chromate, plus sealer

Installation Notes

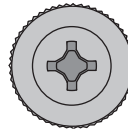
See pages 546-547, 627

Recess Styles

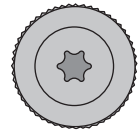
Slotted



No. 2 Phillips



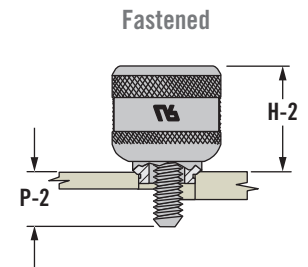
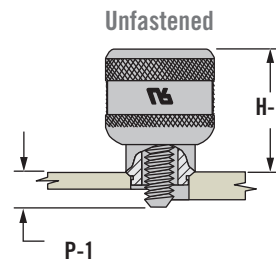
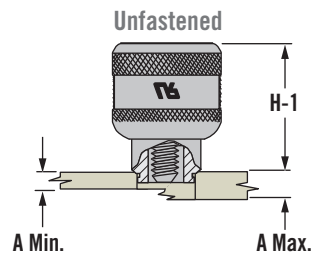
T15 TORX® - 6-32
T25 TORX® - 10-32



ACTUAL
SIZE

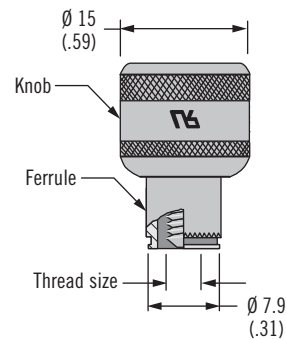
Knob Height and Screw Projection

(Press-in style shown)

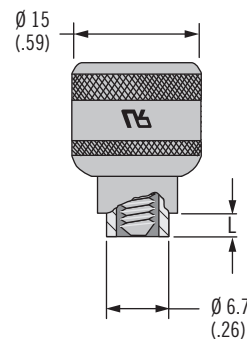


Installation Styles

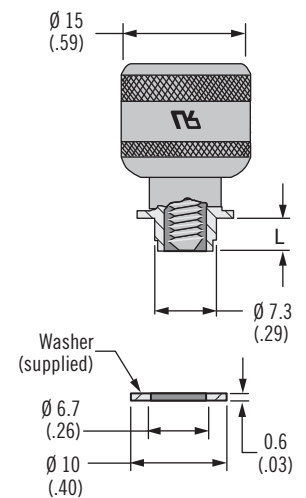
Press-In Style



Flare-In Style



Floating Style



TORX® is a registered trademark of CAMCAR Innovations

Dimensions in millimeters (inch) unless otherwise stated

6-32 Thread Size

| Installation Style | Knob Height† | | Outer Panel Dimensions | | Dimension B* | Flange Length L | Screw Projection Beyond Outer Surface Of Panel | | Part Number | | |
|--------------------|--------------|----------|------------------------|------------|--------------|-----------------|--|------------|----------------|-----------------|--------------|
| | H-1 | H-2 | A Min. | A Max. | | | P-1 | P-2 | Slotted Recess | Phillips Recess | TORX® Recess |
| Press-In Style | 18.5 (.73) | 14 (.54) | 0.9 (.036) | ~ | ~ | ~ | 0.5 (.02) | 5.3 (.21) | 47-60-201-22 | 47-60-221-22 | 47-60-241-22 |
| | | | | | | | 2.3 (.09) | 6.9 (.27) | 47-61-201-22 | 47-61-221-22 | 47-61-241-22 |
| | | | | | | | 3.8 (.15) | 8.3 (.33) | 47-62-201-22 | 47-62-221-22 | 47-62-241-22 |
| | | | | | | | 5.3 (.21) | 10.1 (.41) | 47-63-201-22 | 47-63-221-22 | 47-63-241-22 |
| Flare-In Style | 18 (.70) | 13 (.51) | 1.5 (.058) | 3.2 (.125) | 0.6 (.023) | 1.8 (.07) | 1.4 (.06) | 6.2 (.24) | 47-10-202-22 | 47-10-222-22 | 47-10-242-22 |
| | | | 3.2 (.125) | 4.8 (.189) | 1.6 (.062) | 3.4 (.14) | 3.1 (.12) | 7.9 (.31) | 47-10-204-22 | 47-10-224-22 | 47-10-244-22 |
| | | | 1.5 (.058) | 3.2 (.125) | 0.6 (.023) | 1.8 (.07) | 3.1 (.12) | 7.9 (.31) | 47-11-202-22 | 47-11-222-22 | 47-11-242-22 |
| | | | 4.1 (.16) | 8.9 (.35) | 47-12-202-22 | 47-12-222-22 | 47-12-242-22 | | | | |
| | | | 6.1 (.24) | 10.9 (.43) | 47-13-202-22 | 47-13-222-22 | 47-13-242-22 | | | | |
| | | | 3.2 (.125) | 4.8 (.189) | 1.6 (.062) | 3.4 (.14) | 4.1 (.16) | 8.9 (.35) | 47-11-204-22 | 47-11-224-22 | 47-11-244-22 |
| | | | 6.1 (.24) | 10.9 (.43) | 47-12-204-22 | 47-12-224-22 | 47-12-244-22 | | | | |
| | | | 4.1 (.16) | 8.9 (.35) | 47-11-204-22 | 47-11-224-22 | 47-11-244-22 | | | | |
| Floating Style | 18 (.70) | 14 (.54) | 0.1 (.001) | 0.8 (.031) | 2.3 (.09) | 3.2 (.13) | 2.4 (.09) | 7.2 (.28) | 47-10-210-22 | 47-10-230-22 | 47-10-250-22 |
| | | | | | | | 3.4 (.13) | 8.2 (.32) | 47-11-210-22 | 47-11-230-22 | 47-11-250-22 |
| | | | | | | | 5.4 (.21) | 10.2 (.40) | 47-12-210-22 | 47-12-230-22 | 47-12-250-22 |
| | | | 0.8 (.031) | 1.6 (.063) | 3.1 (.12) | 4 (.16) | 2.4 (.09) | 7.2 (.22) | 47-10-211-22 | 47-10-231-22 | 47-10-251-22 |
| | | | | | | | 3.4 (.13) | 8.2 (.32) | 47-11-211-22 | 47-11-231-22 | 47-11-251-22 |
| | | | | | | | 5.4 (.21) | 10.2 (.40) | 47-12-211-22 | 47-12-231-22 | 47-12-251-22 |
| | | | 1.6 (.063) | 2.4 (.094) | 3.9 (.15) | 4.8 (.19) | 3.4 (.13) | 8.2 (.32) | 47-10-212-22 | 47-10-232-22 | 47-10-252-22 |
| | | | | | | | 5.4 (.21) | 10.2 (.40) | 47-11-212-22 | 47-11-232-22 | 47-11-252-22 |

10-32 Thread Size

| | | | | | | | | | | | |
|----------------|------------|----------|------------|------------|--------------|--------------|--------------|------------|--------------|--------------|--------------|
| Press-In Style | 18.5 (.73) | 14 (.54) | 0.9 (.036) | ~ | ~ | ~ | 0.7 (.03) | 5.6 (.22) | 47-60-501-22 | 47-60-521-22 | 47-60-541-22 |
| | | | | | | | 2.3 (.09) | 7.2 (.28) | 47-61-501-22 | 47-61-521-22 | 47-61-541-22 |
| | | | | | | | 3.8 (.15) | 8.7 (.34) | 47-62-501-22 | 47-62-521-22 | 47-62-541-22 |
| | | | | | | | 5.4 (.21) | 10.3 (.41) | 47-63-501-22 | 47-63-521-22 | 47-63-541-22 |
| Flare-In Style | 18 (.70) | 13 (.51) | 1.5 (.058) | 3.2 (.125) | 0.6 (.023) | 1.8 (.07) | 1.4 (.06) | 6.2 (.24) | 47-10-502-22 | 47-10-522-22 | 47-10-542-22 |
| | | | 3.2 (.125) | 4.8 (.189) | 1.6 (.062) | 3.4 (.14) | 3.1 (.12) | 7.9 (.31) | 47-10-504-22 | 47-10-524-22 | 47-10-544-22 |
| | | | 1.5 (.058) | 3.2 (.125) | 0.6 (.023) | 1.8 (.07) | 3.1 (.12) | 7.9 (.31) | 47-11-502-22 | 47-11-522-22 | 47-11-542-22 |
| | | | 4.1 (.16) | 8.9 (.35) | 47-12-502-22 | 47-12-522-22 | 47-12-542-22 | | | | |
| | | | 6.1 (.24) | 10.9 (.43) | 47-13-502-22 | 47-13-522-22 | 47-13-542-22 | | | | |
| | | | 3.2 (.125) | 4.8 (.189) | 1.6 (.062) | 3.2 (.14) | 4.1 (.16) | 8.9 (.35) | 47-11-504-22 | 47-11-524-22 | 47-11-544-22 |
| | | | 6.1 (.24) | 10.9 (.43) | 47-12-504-22 | 47-12-524-22 | 47-12-544-22 | | | | |
| | | | 4.1 (.16) | 8.9 (.35) | 47-11-504-22 | 47-11-524-22 | 47-11-544-22 | | | | |
| Floating Style | 18 (.70) | 14 (.54) | 0.1 (.001) | 0.8 (.031) | 2.3 (.09) | 3.2 (.13) | 2.4 (.09) | 7.2 (.28) | 47-10-510-22 | 47-10-530-22 | 47-10-550-22 |
| | | | | | | | 3.4 (.13) | 8.2 (.32) | 47-11-510-22 | 47-11-530-22 | 47-11-550-22 |
| | | | | | | | 5.4 (.21) | 10.2 (.40) | 47-12-510-22 | 47-12-530-22 | 47-12-550-22 |
| | | | 0.8 (.031) | 1.6 (.063) | 3.1 (.12) | 4 (.16) | 2.4 (.09) | 7.2 (.28) | 47-10-511-22 | 47-10-531-22 | 47-10-551-22 |
| | | | | | | | 3.4 (.13) | 8.2 (.32) | 47-11-511-22 | 47-11-531-22 | 47-11-551-22 |
| | | | | | | | 5.4 (.21) | 10.2 (.40) | 47-12-511-22 | 47-12-531-22 | 47-12-551-22 |
| | | | 1.6 (.063) | 2.4 (.094) | 3.9 (.15) | 4.8 (.19) | 3.4 (.13) | 8.2 (.32) | 47-10-512-22 | 47-10-532-22 | 47-10-552-22 |
| | | | | | | | 5.4 (.21) | 10.2 (.40) | 47-11-512-22 | 47-11-532-22 | 47-11-552-22 |

Part numbers in shaded rows (shown in table) are fully retracting in minimum panel thickness



To add a black finish, change the part number from the table as shown:

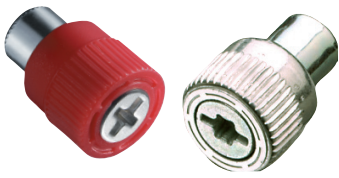
Change 2 to 6: 47-80-102-22
 47-80-102-62

Part Number

See table

All screw part numbers shown in table are for a natural finish

For black finish minimums may apply



47/4C Captive Screws

Panel preparation and installation

Installation Notes

1. Prepare panel as shown. Top edge of hole should be sharp
2. Press captive screw into panel until ferrule is installed as shown

Installation closer to the panel edge requires a fixture to constrain the panel edges

Notes

Recommended minimum distance from edge of panel to centerline of hole is $1.5 \times \phi D$

Performance Details

Pullout force: 360 N (80 lbf)
Side load against unfastened knob: 200 N (45 lbf)

Installation Notes

1. Prepare panel as shown.
2. Use pilot lead-in to guide assembly into hole and press knurl into panel until ferrule shoulder contacts surface

Notes

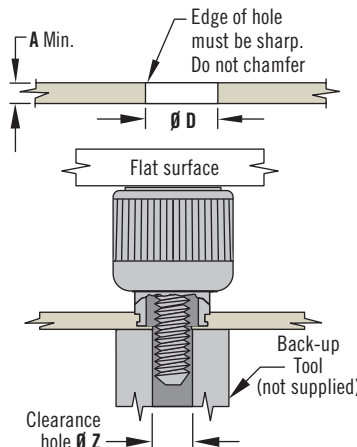
Strength data based on drilled holes in G-10 P.C. Board

Installation Notes

1. Prepare panel as shown.
2. Install tool in suitable press. Only LIGHT pressure will be required
3. Insert screw assembly into prepared hole in panel
4. Place work under press, center tool over screw thread and flare ferrule into counter-sink in panel. Use LIGHT pressure

Installation Force:
1600 N (350 lbf) to 2500 N (550 lbf)
Installation force depends on thread size

Press-In Style

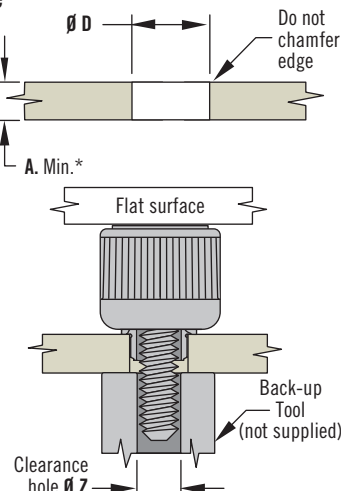


See page 627 for additional installation guidelines

Notes: (47) For use in material hardness Rb85 or less, such as low carbon steels that are half hard or softer, stainless steels in the annealed condition and aluminum. (4C/52) For use in material hardness Rb65 or less, such as low carbon steels that are quarter hard or softer, stainless steels in the annealed condition and aluminum.

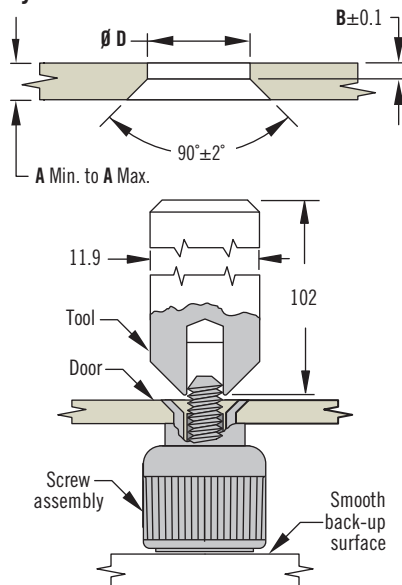
| Thread Size | ϕD | Clearance Hole ϕZ |
|--------------|--|---|
| M3 or 4-40 | $5.6^{+0.03}_{-0.05}$ (.219 ^{+0.003} ₋₀) | 3.2 (.125) $^{+0.2}_{-0.1} (\begin{smallmatrix} +.008 \\ -.004 \end{smallmatrix})$ |
| M3.5 or 6-32 | $6.4^{+0.03}_{-0.05}$ (.250 ^{+0.003} ₋₀) | 3.7 (.146) |
| M4 or 8-32 | $8^{+0}_{-0.08}$ (.315 ⁺⁰ _{-.003}) | 4.4 (.173) |
| M5 or 10-32 | $8^{+0}_{-0.08}$ (.315 ⁺⁰ _{-.003}) | 5.2 (.205) |
| M6 or 1/4-20 | $9.5^{+0.1}_{-0}$ (.375 ^{+0.003} ₋₀) | 6.2 (.260) |

P.C. Board Style



| Thread Size | ϕD | Clearance Hole ϕZ |
|--------------|--|---|
| M3 or 4-40 | $5.6^{+0.1}_{-0.05}$ (.219 ^{+0.004} _{-.002}) | 3.2 (.125) $^{+0.2}_{-0.1} (\begin{smallmatrix} +.008 \\ -.004 \end{smallmatrix})$ |
| M3.5 or 6-32 | 6.4 ± 1 (.252 \pm .004) | 3.7 (.146) |

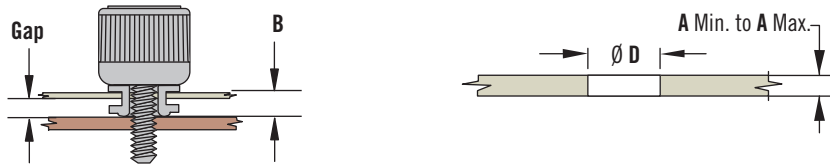
Flare-In Style



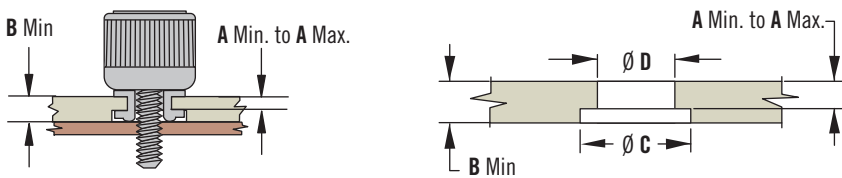
| Thread Size | ϕD | Tool Part Number |
|--------------|--|------------------|
| M3 or 4-40 | $4.8^{+0.08}_{-0.05}$ (.187 ^{+0.005} ₋₀) | 47-104 |
| M3.5 or 6-32 | $5.4^{+0.1}_{-0}$ (.213 ^{+0.005} ₋₀) | 47-106 |
| M4 or 8-32 | $6.8^{+0.08}_{-0.04}$ (.266 ^{+0.005} ₋₀) | 47-108 |
| 10-32 | $6.8^{+0.08}_{-0.04}$ (.266 ^{+0.005} ₋₀) | 47-110 |
| M5 | $6.8^{+0.08}_{-0.04}$ (.266 ^{+0.005} ₋₀) | 47-115 |
| M6 or 1/4-20 | $8.2^{+0.1}_{-0}$ (.323 ^{+0.005} ₋₀) | 47-125 |

Floating Style

Panel preparation 1

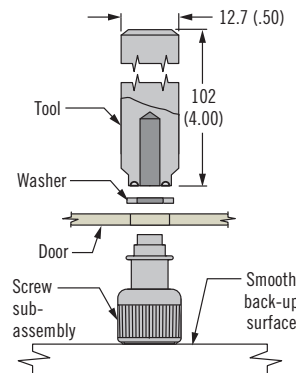


Panel preparation 2



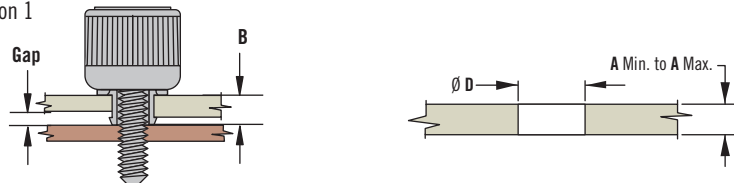
| Thread Size | Tool Part Number |
|--------------|------------------|
| M3 or 4-40 | 47-04 |
| M3.5 or 6-32 | 47-06 |
| M4 or 8-32 | 47-08 |
| M5 | 47-05 |
| 10-32 | 47-10 |
| M6 or 1/4-20 | 47-25 |

| Thread Size | Ø D | Counterbore Min. Ø C |
|--------------|--|----------------------|
| M3 or 4-40 | 6.4 (.250) <small>+0.008 (+.003) -0.03 -0.001</small> | 9.4 (.375) |
| M3.5 or 6-32 | 7.2 (.283) | 10.5 (.413) |
| M4 or 8-32 | 8.8 (.346) | 12 (.469) |
| M5 or 10-32 | 8.8 (.346) | 12 (.469) |
| M6 or 1/4-20 | 10.5 (.413) | 13.5 (.531) |

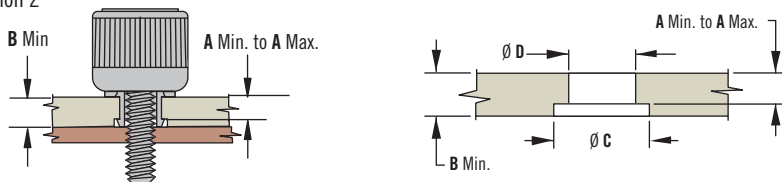


Snap-In Style

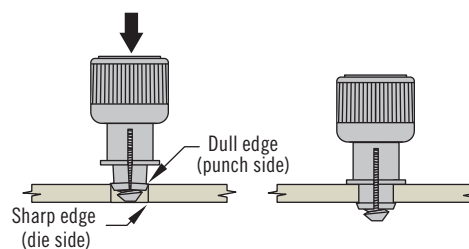
Panel preparation 1



Panel preparation 2



| Thread Size | Ø D | Counterbore Min. Ø C |
|--------------|---|----------------------|
| M3.5 or 6-32 | 6.4 (.250) <small>+0 -0.1 (± .002)</small> | 7.5 (.295) |
| M4 or 8-32 | 6.4 (.250) | 7.5 (.295) |
| M5 or 10-32 | 6.4 (.250) | 7.5 (.295) |



Installation Notes

Floating and Snap-in style:
 Panel preparation 1:
 Requires space between inner and outer panels.
 Specify the fastener for panel thickness A to fall between the range A Minimum to A Maximum:
 gap = B - A outer panel thickness
 Panel preparation 2:
 Counter bore the panel (B = Minimum panel thickness) to a thickness (A) between the range of A Minimum and A Maximum
 Minimum bore depth = panel thickness - A Maximum
 For gap = Ø, panel thickness must be ≥ B value (before counterbore) for the given part number

Notes

B and A Maximum values are provided in the corresponding fastener selection tables for each part number
 If holes are drilled, top edge of hole should be chamfered



47-SM Captive Screws

Styled knob series · Surface Mount Technology (SMT) Style

- For installation to PC Board material utilizing surface mount technology
- Smooth knob meets UL-1950
- Designed for hand operation
- Spring ejected
- Variety of sizes, recesses

Material and Finish

Ferrule: Steel, Tin plated

Knob:

Aluminum, natural


Screw: Hardened carbon steel, zinc plated, chromate, plus sealer

Internal spring: 300 series stainless steel passivated

Plug: Silicone rubber

Installation Notes

See page 551

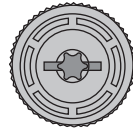
 To ensure you receive **SOUTHCO®** quality parts, look for the segmented circle

Part Number

See table

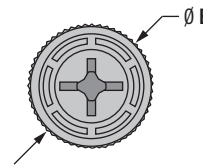
Recess Styles

TORX® / Slot Combination

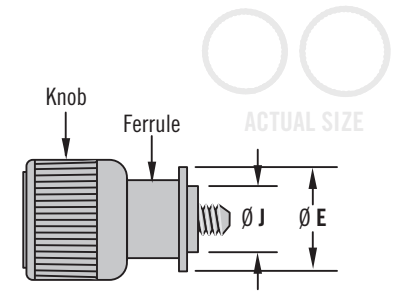


T10 TORX® / Slot Combination (M3,4-40)
T15 TORX® / Slot (6-32)

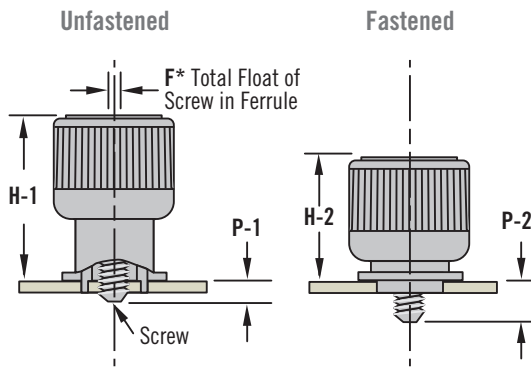
Phillips / Slot Combination



No. 1 Phillips / Slot Recess (M3,4-40)
No. 2 Phillips / Slot Recess (6-32)

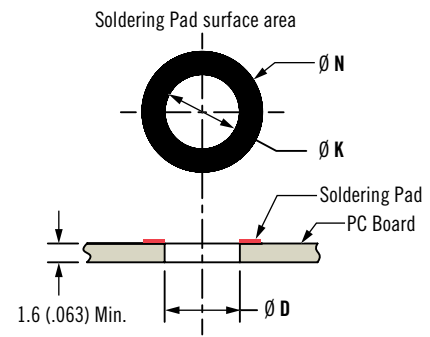


Knob Height and Screw Projection

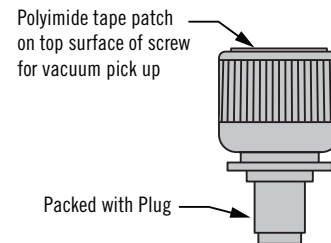


* Value represents float in unfastened position
Notes: P-1, P-2 Screw Projection measured from the top side of panel

PC Board Preparation



47 Captive Screws Styled knob series - SMT Style Screw as Shipped in Reel Pack



| Thread Size | Part Number (Reel package shown) | | | | | | | | | | Panel Preparation | | | | |
|-------------|----------------------------------|-----------------|--------------------|-----------------|------------|------------|-----------|-----------|------------|------------|-------------------|-----------|-----------|------------|----------------------------------|
| | Knurled Head | | Smooth Head | | H-1 | H-2 | P-1 | P-2 | ØB | ØJ | ØE | F* | ØK | ØN | ØD |
| | Phillips / Slotted | TORX® / Slotted | Phillips / Slotted | TORX® / Slotted | | | | | | | | | | | |
| M3 x 0.5 | 47-SM-3311-K-R | 47-SM-3411-K-R | 47-SM-3311-N-R | 47-SM-3411-N-R | 11.4 (.45) | 8.4 (.33) | 1.4 (.05) | 4.4 (.17) | 10.7 (.42) | 5.5 (.217) | 7.6 (.30) | 0.7 (.03) | 5.6 (.22) | 8.6 (.34) | 5.6 +0.08/-0 (.220 +.003/-0.000) |
| | 47-SM-3321-K-R | 47-SM-3421-K-R | 47-SM-3321-N-R | 47-SM-3421-N-R | | | 1.4 (.05) | 4.4 (.17) | | | | | | | |
| 4-40 | 47-SM-1311-K-R | 47-SM-1411-K-R | 47-SM-1311-N-R | 47-SM-1411-N-R | 15.5 (.61) | 10.7 (.42) | 1.4 (.05) | 4.4 (.17) | 11.4 (.45) | 6.2 (.244) | 8.1 (.32) | 0.7 (.03) | 6.4 (.25) | 10.2 (.40) | 6.4 +0.08/-0 (.252 +.003/-0.000) |
| | 47-SM-1321-K-R | 47-SM-1421-K-R | 47-SM-1321-N-R | 47-SM-1421-N-R | | | 2.2 (.09) | 5.2 (.20) | | | | | | | |
| 6-32 | 47-SM-2311-K-R | 47-SM-2411-K-R | 47-SM-2311-N-R | 47-SM-2411-N-R | 15.5 (.61) | 10.7 (.42) | 0.8 (.03) | 5.6 (.22) | 11.4 (.45) | 6.2 (.244) | 8.1 (.32) | 0.7 (.03) | 6.4 (.25) | 10.2 (.40) | 6.4 +0.08/-0 (.252 +.003/-0.000) |
| | 47-SM-2321-K-R | 47-SM-2421-K-R | 47-SM-2321-N-R | 47-SM-2421-N-R | | | 2.3 (.09) | 7.1 (.28) | | | | | | | |

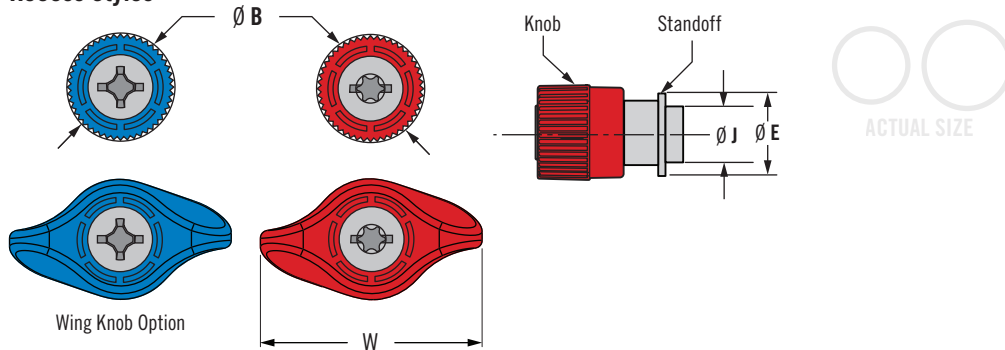
TORX® is a registered trademark of CAMCAR Innovations

4C-SM Captive Screws

Prism series · Surface Mount Technology (SMT) Style

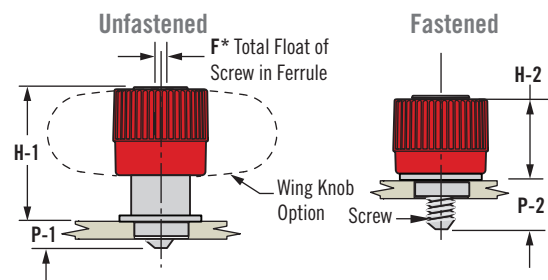


Recess Styles

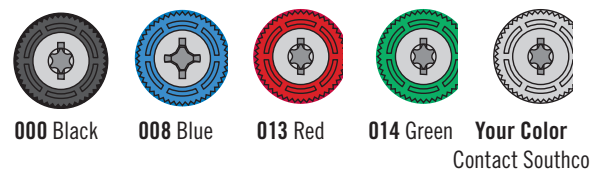


No. 2 Phillips Recess (M3,4-40) T10 TORX® / Slot Combination (M3,4-40)
 No. 2 Phillips / Slot Recess (6-32) T15 TORX® / Slot Combination(6-32)

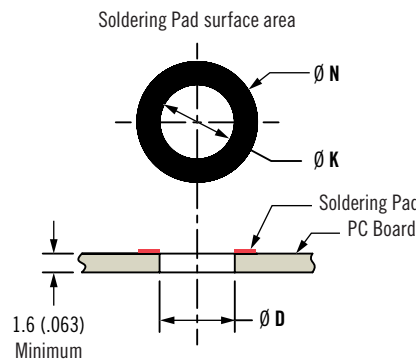
Knob Height and Screw Projection



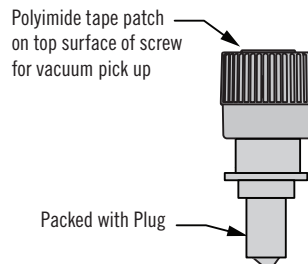
F* Value represents float in unfastened position
 Notes: P-1, P-2 Screw Projection measured from the top side of panel



PC Board Preparation



Screw as Shipped in Reel Pack



- For installation to PC Board material utilizing surface mount technology
- Designate access points with color
- Color match captive screws to your industrial design
- High strength screw for use with high torque drivers

Material and Finish

Standoff: Steel, Tin plated
 Knob: High heat resistant plastic
 Screw: Hardened carbon steel, zinc plated, chromate, plus sealer
 Internal spring: 300 series stainless steel passivated
 Plug: Silicone rubber

Installation Notes

See page 551

To ensure you receive SOUTHCO® quality parts, look for the segmented circle

Part Number

See table

| Thread Size | Part Number (Reel package shown) | | | | | | | | | | | | | | | | Panel Preparation | | |
|-------------|----------------------------------|-------------------|-------------------|-------------------|-------------|------------|------------|-----------|------------|------------|-----------|-----------|-----------|------------|------------|----------------------------------|-------------------|-----|-----|
| | Knurled Head | | | | Smooth Head | | | | H-1 | H-2 | P-1 | P-2 | Ø B | Ø J | Ø E | F* | | Ø K | Ø N |
| | Phillips | TORX® / Slotted | Phillips | TORX® / Slotted | Ø D | | | | | | | | | | | | | | |
| M3 x 0.5 | 4C-SM-3111-K000-R | 4C-SM-3411-K000-R | 4C-SM-3111-N000-R | 4C-SM-3411-N000-R | 10.8 (.43) | 8.6 (.34) | 3.3 (.13) | 5.5 (.22) | 9.7 (.38) | 5.5 (.217) | 7.6 (.30) | 0.7 (.03) | 5.6 (.22) | 8.6 (.34) | 20 (.7878) | 5.6 +0.08/-0 (.220 +.003/-0.000) | | | |
| | 4C-SM-3121-K000-R | 4C-SM-3421-K000-R | 4C-SM-3121-N000-R | 4C-SM-3421-N000-R | | | | | | | | | | | | | | | |
| 4-40 | 4C-SM-1111-K000-R | 4C-SM-1411-K000-R | 4C-SM-1411-N000-R | 4C-SM-1411-N000-R | 10.8 (.43) | 8.6 (.34) | 3.3 (.13) | 5.5 (.22) | 9.7 (.38) | 5.5 (.217) | 7.6 (.30) | 0.7 (.03) | 5.6 (.22) | 8.6 (.34) | 20 (.7878) | 5.6 +0.08/-0 (.220 +.003/-0.000) | | | |
| | 4C-SM-1121-K000-R | 4C-SM-1421-K000-R | 4C-SM-1421-N000-R | 4C-SM-1421-N000-R | | | | | | | | | | | | | | | |
| 6-32 | 4C-SM-2311-K000-R | 4C-SM-2411-K000-R | 4C-SM-2311-N000-R | 4C-SM-2411-N000-R | 16.3 (.64) | 11.7 (.46) | 0.1 (.004) | 4.6 (.18) | 11.4 (.45) | 6.2 (.244) | 8.1 (.32) | 0.8 (.03) | 6.4 (.25) | 10.2 (.40) | 24 (.945) | 6.4 +0.08/-0 (.252 +.003/-0.000) | | | |
| | 4C-SM-2321-K000-R | 4C-SM-2421-K000-R | 4C-SM-2321-N000-R | 4C-SM-2421-N000-R | | | | | | | | | | | | | | | |

TORX® is a registered trademark of CAMCAR Innovations



47/4C Captive Screws

ATCA captive screws

- M3 thread
- No. 2 Phillips recess
- Color match available

Material and Finish

Screw, ferrule and internal spring stainless steel, knob aluminum or PC/ABS

Performance Details

Flammability rating: UL94-V0
ATCA R3.0 compliant screw

Installation Notes

Please refer to installation drawings on www.southco.com for reference on dimensions **B***, \varnothing **D*** and \varnothing **Z***

F* indicates maximum float in the unfastened position

Part Number

See table

Specifying Color:

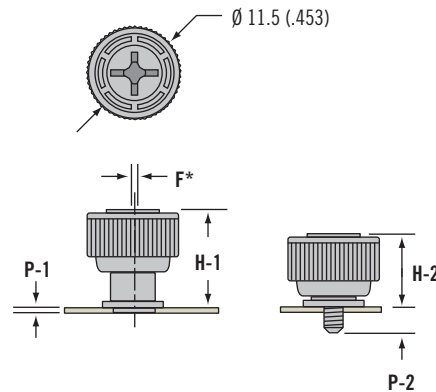
To indicate color, change the last three digits of the part number.

Example:

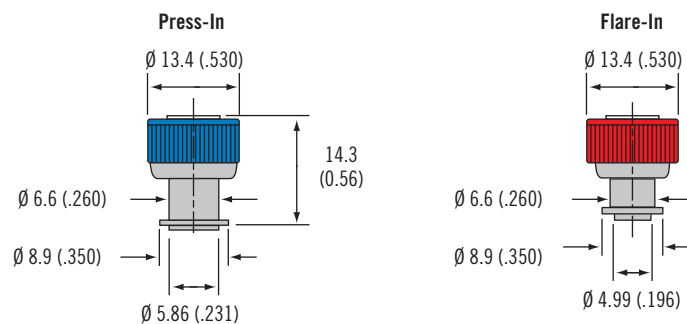
47-99-945-1P0-K000, black

47-99-945-1P0-K013, red

Metal Version



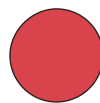
Overmolded Version



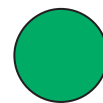
000 Black



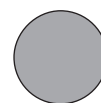
008 Blue



013 Red



014 Green



Your color
(contact Southco)

| Series | Installation Method | Panel Thickness | | | Part Number No. 2 Phillips | H-1 | H-2 | P-1 | P-2 | F* | Panel Preparation | |
|--|---------------------|-----------------|---------------|---------------|-------------------------------|---------------|---------------|---------------|--------------|-------------|---|---|
| | | A Min. | A Max. | B* | | | | | | | \varnothing D* | \varnothing Z* |
| ATCA compliant (Metal Version) | Press-in | 0.9 (.036) | ~ | ~ | 47-99-945-1P0 | 14.3 (.56) | 10.1 (.40) | 1.0 (.39) | 5.0 (.20) | 1 (.039) | 5.95 ± 0.04 (.234 ± .002) | 3.2 ^{+0.2} _{-0.1} (.125 ^{+0.008} _{-.004}) |
| | Flare-in | 0.8 (.031) | 1.5 (.060) | 0.4 (.016) | 47-99-944-1F1 | 14.3 (.56) | 10.1 (.40) | 1.0 (.39) | 5.0 (.20) | 1 (.039) | 5.1 ^{+0.1} ₋₀ (.20 ^{+0.004} ₋₀) | 3.0 ^{+0.1} ₋₀ (.118 ^{+0.004} _{-.000}) |
| ATCA compliant (Overmolded Version) | Press-in | 0.9 (.036) | ~ | ~ | 47-99-945-1P0-K000 | 14.3 (.56) | 10.1 (.40) | 1.0 (.39) | 5.0 (.20) | 1 (.039) | 5.95 ± 0.04 (.234 ± .002) | 3.2 ^{+0.2} _{-0.1} (.125 ^{+0.008} _{-.004}) |
| | Flare-in | 0.8 (.031) | 1.5 (.060) | 0.4 (.016) | 47-99-944-1F1-K000 | 14.3 (.56) | 10.1 (.40) | 1.0 (.039) | 5.0 (.20) | 1 (.039) | 5.1 ^{+0.1} ₋₀ (.20 ^{+0.004} ₋₀) | 3.0 ^{+0.1} ₋₀ (.118 ^{+0.004} _{-.000}) |

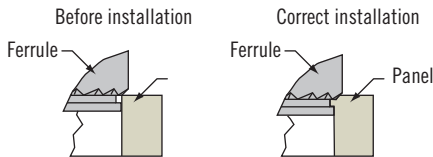
Installation Guidelines

for *SOUTHCO*[®] Self-Clinching products

Self-clinching product installation is offered on these *SOUTHCO*[®] products, making them easy-to-use captive panel fasteners:

- Captive Screws
- Receptacles for Quarter-turn Fasteners
- Receptacles for Fast-lead Thread Screws

When pressed into a properly prepared hole, self-clinching captive fasteners cold-flow (move) the panel material into the retaining groove of the fastener. This material then retains the fastener in the panel.

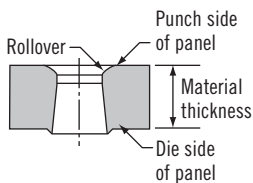
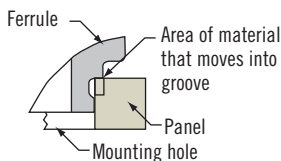


Successful press-in installations depend on:

Material:

The hardness of the panel material must not exceed *SOUTHCO*[®] recommendations. If the panel is too hard, the fastener will not install correctly.

Installation Holes:



Mounting holes may be drilled, punched, or cast.

- Hole edge: the top hole edge must be sharp but with no broken edges.

Do not chamfer or debur edge.

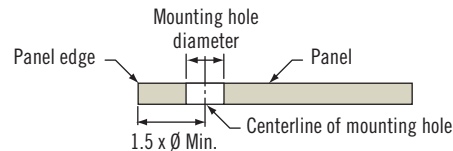
- Punched holes: use a punch and die with a small clearance to minimize the rollover and fracture angle.
- Hole diameter: measure the hole diameter at the panel surface on the side on which the fastener will be installed. The diameter must be within *SOUTHCO*[®] specifications for that product.

- If the hole is too large, not enough material will flow into the retaining groove and the fastener may not be retained adequately.
- If the hole is too small, the fastener will not fit and installation may become difficult and unsafe.
- Hole distance from the edge of panel: the minimum recommended

- Spring-loaded Plungers
- Captive Nuts
- Threaded Inserts

distance is 1.5 x the diameter of the mounting hole, unless otherwise indicated.

- Installing too close to the edge will cause the material to flow in the opposite direction, deforming the edge of the panel. To install closer to the edge, you may need to restrain the panel edge.



Panel Thickness:

The thickness of the panel at the mounting hole location must meet or exceed Southco's stated minimum recommendations.

If the material is too thin, panel deformation and/or damage to the fastener may result.

Installation is fast and easy if you follow these tips:

How to install: Use the recommended force where noted and a proper back-up tool.

- use any parallel-acting press
- use a punch whose diameter is larger than the head of the fastener

Installation Force: Proper installation requires an even distribution of adequate force. It does not depend on the distance the fastener is pressed into the panel.

- Southco does not recommend using a hammer. The impact force does not provide an even distribution of force to allow the panel material to completely flow into the fastener's retaining groove.
- Installation force varies from application to application, depending on the criteria noted above.
- On parts without a collar to provide a hard stop, press-in until the edge of the knurl is just barely visible.

When to Install:

Installation is recommended after plating or finishing has been applied to the panel.

The hole diameter must meet specifications before finish or plating is applied.

- Do not over-install parts. This interrupts the material and will reduce the retention strength.

