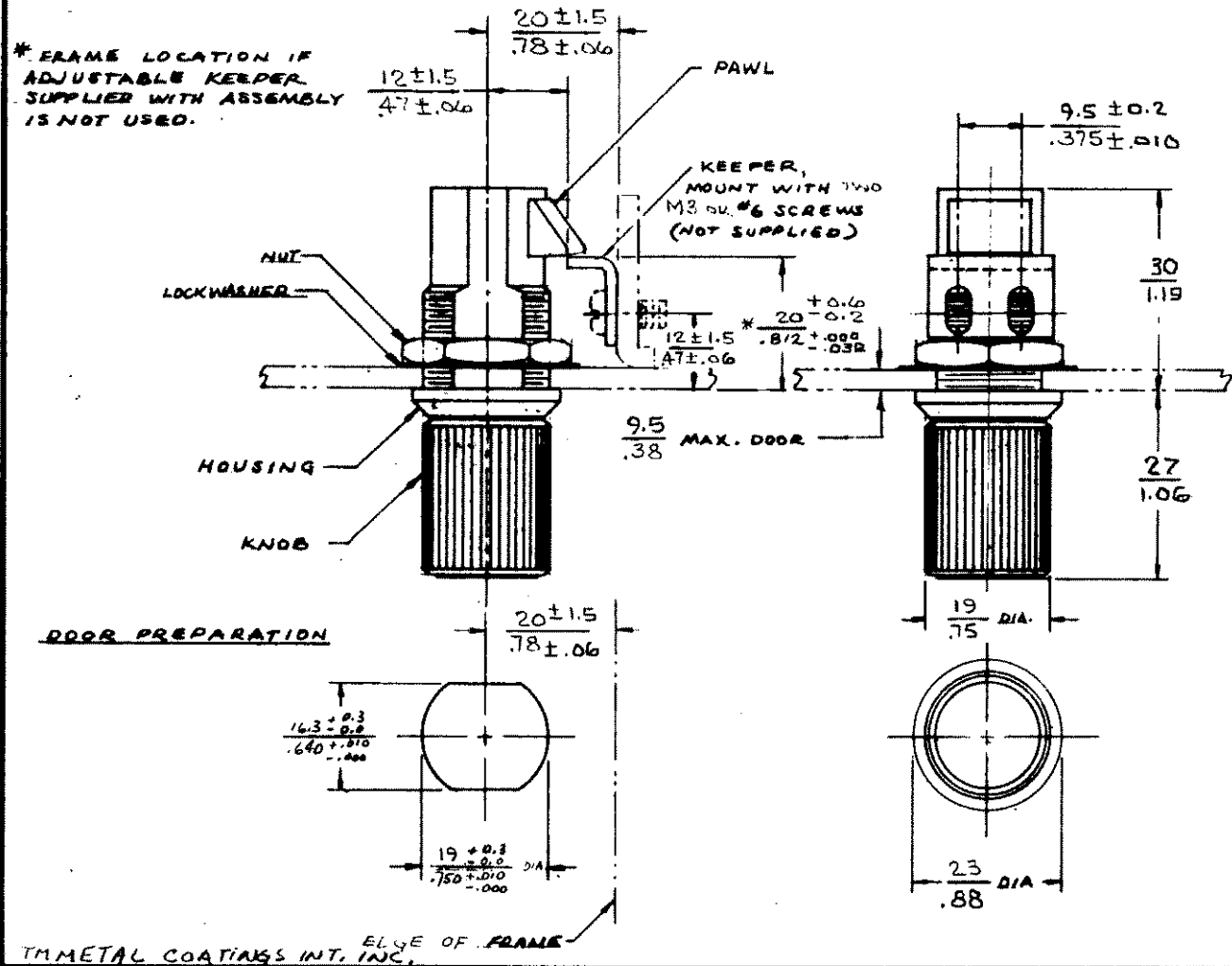


DATE	DRAWN	CHKD	SCALE	DRAWING NUMBER
12-18-86	RJB		N.T.S.	J-93-10-203-50

REV. LET.	DATE	BY-CHKD	REVISIONS	ASSY PART NO
A	4-24-87	BS	FRN 01-70-A	93-10-203-50
B	3-21-88	GJC	FRN 93-68	
C	4-20-88	MKE	FRN 16-78	
D	7-14-88	ANA	FRN 93-75	
E	11-16-88	SML	FRN: 93-81	
F	6-10-93	JGN	FRN: 93-137	



ASSEMBLY PART No. 93-10-203-50  
 CONSISTS OF 1 LATCH SUB-ASS'Y.  
 1 NUT, 1 LOCKWASHER &  
 1 KEEPER PACKED IN A PLASTIC BAG.

HOUSING- DIE CAST ZINC, BRIGHT  
 CHROME PLATED.

KNOB & PAWL ARE BLACK  
 THERMOPLASTIC

KEEPER & LOCKWASHER  
 ARE STEEL DACROTIZED

PLUG IN KNOB IS ALUMINUM,  
 BLACK ORGANIC COATING.

NUT IS DIE CAST ZINC,  
 CHEM. PROTECTIVE FILM

KNOB TURNS 1/4 TURN IN EITHER  
 DIRECTION TO UNLATCH.

MAY BE SLAM CLOSED WHEN LOCKED

MILLIMETER/INCH  
 MILLIMETER  
 INCH

PROPRIETARY ITEM—EXCEPT FOR USES EXPRESSLY GRANTED IN WRITING, INFORMATION DISCLOSED HEREON IS CONFIDENTIAL AND ALL RIGHTS, PATENT AND OTHERWISE, ARE RESERVED BY SOUTHCO, INC.

TOLERANCE UNLESS OTHERWISE NOTED  
 METRIC MM - TWO PLACE (.XX) \* ONE PLACE (.X) \*  
 INCH - DECIMALS \* FRACTIONS \* ANGLES \*

DRAWING NUMBER  
 J-93-10-203-50