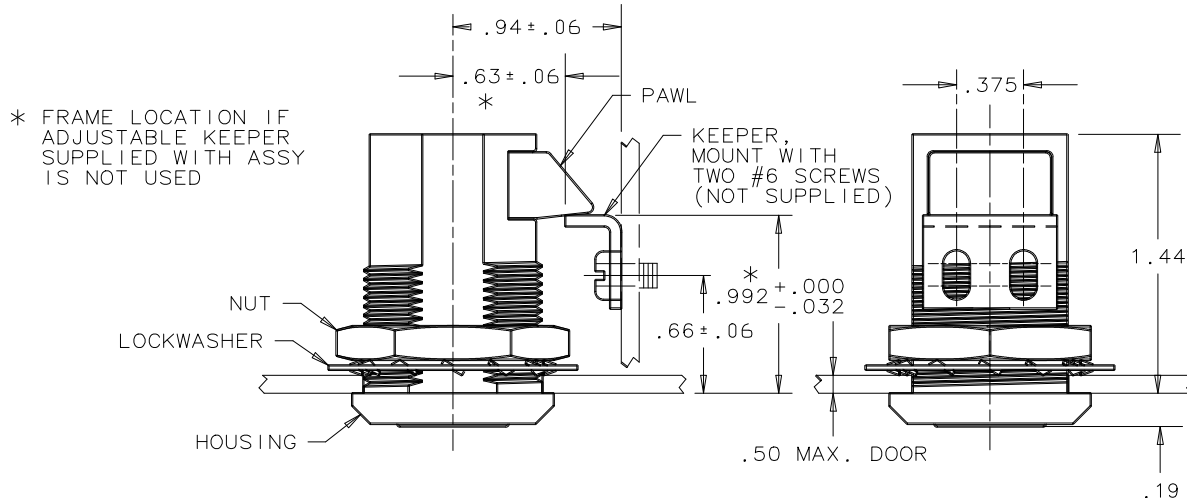


southco®

No.93 KEYLATCH ASSEMBLY
KEYED ALIKE

DATE	DRAWN	CHKD	SCALE	DRAWING NUMBER
9-6-78	RHB		FULL	J-93-10-101-10

REV.	DATE	BY-CHKD	REVISIONS	ASSY PART NO.
G	3-19-90	RHB	REDRAWN TO CAD	93-10-101-10
H	5-13-91	CRW	ADDED TOLERANCE TO MOUNTING HOLE	
I	12 FEB.93	KPL	PRN: S-1-03	
J	14MAY2002	KHO DLH	PRN:P2002-0206	



* FRAME LOCATION IF ADJUSTABLE KEEPER SUPPLIED WITH ASSY IS NOT USED

ASSEMBLY PART NO. 93-10-101-10 CONSISTS OF ONE LATCH SUB-ASSY, TWO KEYS, ONE NUT, ONE LOCKWASHER AND ONE KEEPER, PACKED IN A PLASTIC BAG.

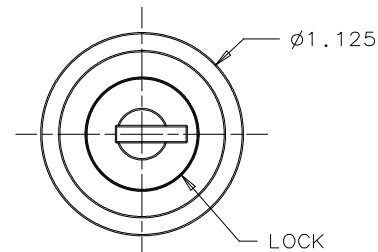
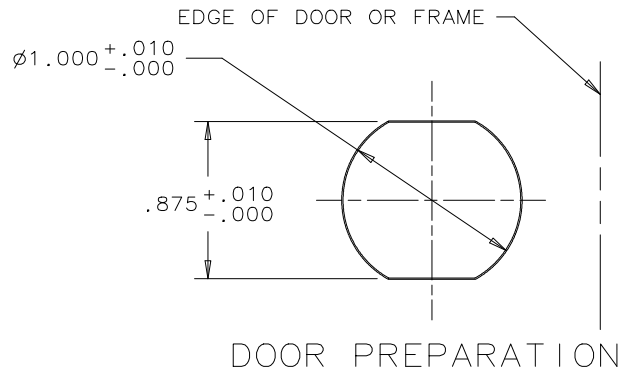
HOUSING AND LOCK ARE DIE CAST ZINC, BRIGHT CHROME PLATED.

PAWL IS BLACK THERMOPLASTIC.

NUT, LOCKWASHER AND KEEPER ARE STEEL, DACROTIZED.*

KEY TURNS ONE-QUARTER TURN IN EITHER DIRECTION TO UNLATCH. KEY IS REMOVABLE IN CENTER (LATCHED) POSITION ONLY.

MAY BE SLAM CLOSED WITH KEY REMOVED.



PROPRIETARY ITEM - EXCEPT FOR USES EXPRESSLY GRANTED IN WRITING INFORMATION DISCLOSED HEREON IS CONFIDENTIAL AND ALL RIGHTS PATENT AND OTHERWISE ARE RESERVED BY SOUTHCO, INC.

* REGISTERED TRADENAME OF METAL COATINGS INTERNATIONAL, INC.

DRAWING NUMBER
J-93-10-101-10