

**southco**

PROPRIETARY ITEM - EXCEPT FOR USES EXPRESSLY GRANTED IN WRITING INFORMATION DISCLOSED HEREON IS CONFIDENTIAL AND ALL RIGHTS PATENT AND OTHERWISE ARE RESERVED BY SOUTHCO, INC.

LIFT & TURN COMPRESSION LATCH

DATE	DRAWN	CHKD	SCALE	DRAWING NUMBER
09FEB2010	MJS	MJS	.3:1	TD-N2-2-500-J

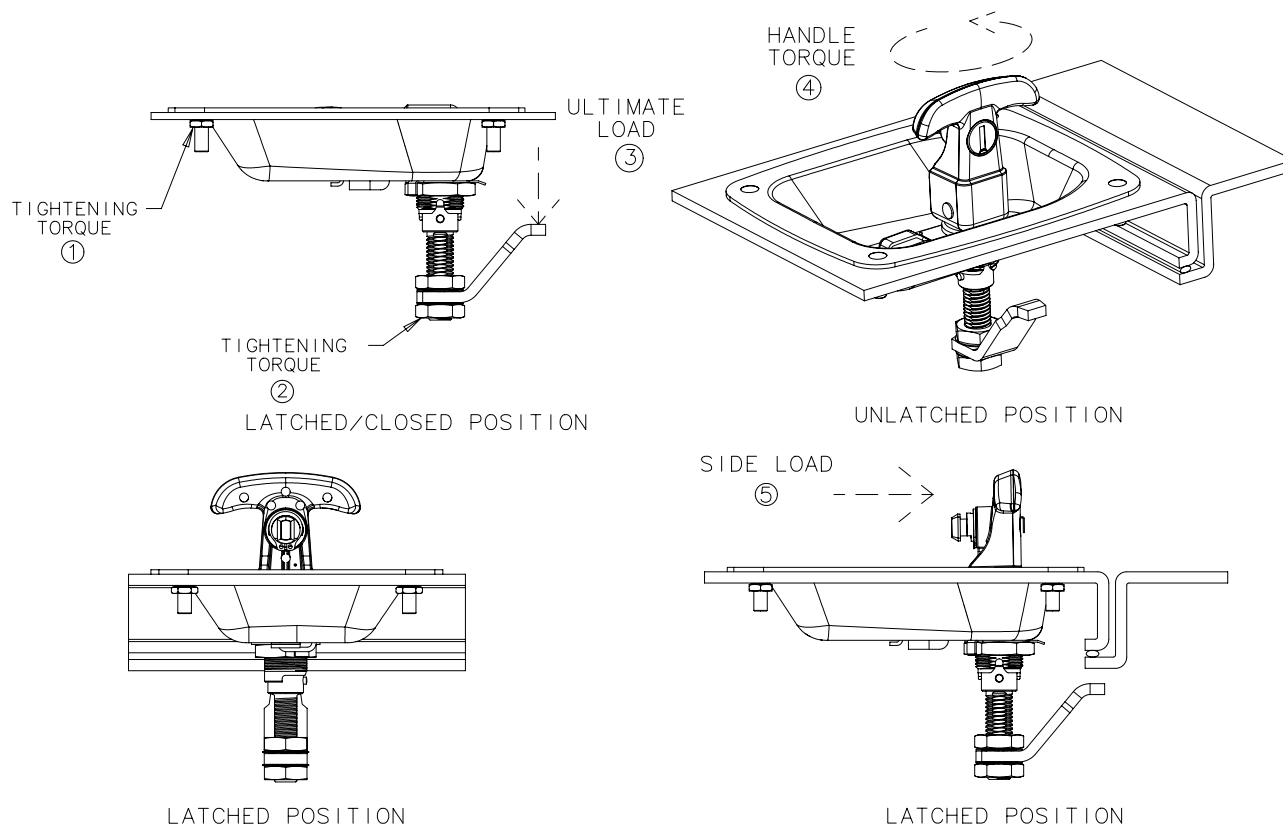
REV	DATE	DRAWN/CHKD	DESCRIPTION	ASSEMBLY	STYLE
A	01MAR2010	MJS/DP	INITIAL RELEASE	N2-2-500-01-5	NON-LOCKING
				N2-2-501-01-5	LOCKING



A4  
PAPER  
SIZE

SOUTHCO PERFORMANCE GUIDELINES

THE PERFORMANCE GUIDELINES SHOWN ON THIS PAGE ARE SUPPLIED AS A GENERAL GUIDE ONLY. AS CONDITIONS VARY WITH EACH APPLICATION AND METHOD OF INSTALLATION. STRENGTH DATA GIVEN IS FOR FAILURE OF THE PRODUCT OR FOR SUFFICIENT DEFORMATION TO MAKE PRODUCT INOPERABLE. NO SAFETY FACTOR HAS BEEN APPLIED. IT IS RECOMMENDED THAT THE USER REQUEST A PRODUCT SAMPLE FOR TESTING TO DETERMINE THE SUITABILITY OF THE PRODUCT FOR THE PURPOSE INTENDED AND USER'S PARTICULAR APPLICATION.



1. TIGHTENING TORQUE FOR MOUNTING NUTS:  
7.5 ± 0.5 Nm (66 ± 4 lbf-in)
2. TIGHTENING TORQUE FOR PAWL MOUNTING NUTS:  
22.5 ± 2.5 Nm (199 ± 22 lbf-in)
3. AVERAGE ULTIMATE LOAD ON PAWL:  
2000 N (450 lbf)
4. AVERAGE ULTIMATE TORQUE ON HANDLE:  
50 Nm (442 lbf-in)
5. AVERAGE ULTIMATE SIDE LOAD ON HANDLE:  
1000 N (225 lbf)
6. CYCLE LIFE:  
5,000 CYCLES AT 60N (13.5 lbf) GASKET LOAD

AVERAGE ULTIMATE LOAD - THE LOAD THAT CAUSES FAILURE OR EXCESSIVE DEFORMATION WHICH RENDERS THE PRODUCT INOPERABLE.