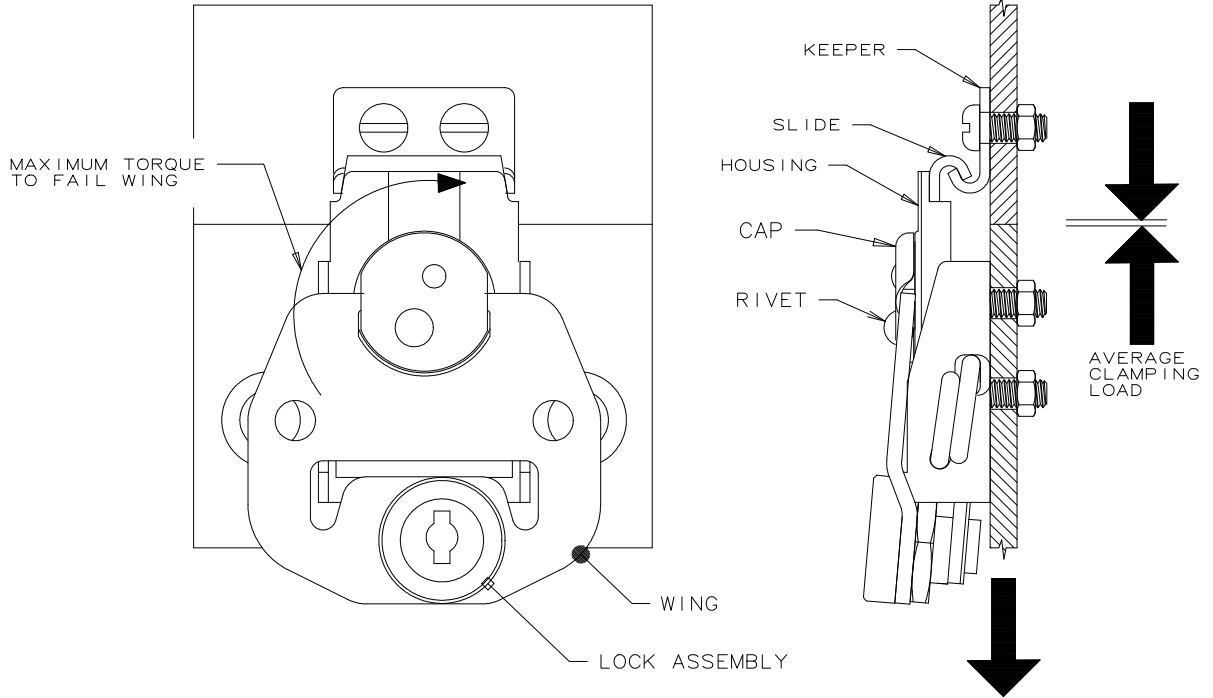


| | | | | | |
|---|------|-------------|------------|-------|------------------------|
| REV | DATE | DESCRIPTION | DRAWN/CHKD | SCALE | DRAWING NUMBER |
| | A | 09APR2002 | | | |
| PROPRIETARY ITEM - EXPRESSLY GRANTED IN WRITING INFORMATION DISCLOSED HEREON IS CONFIDENTIAL AND ALL RIGHTS, PATENT AND OTHERWISE ARE RESERVED BY SOUTHCO, INC. | | | DATE | CHKD | PAPER SIZE |
| K4 LINK LOCK ROTARY ACTION LATCH | | | 28JUN95 | MMALC | A |
| | | | | NTS | THIRD ANGLE PROJECTION |

SOUTHCO PERFORMANCE GUIDELINES

THE PERFORMANCE GUIDELINES SHOWN ON THIS PAGE ARE SUPPLIED AS A GENERAL GUIDE ONLY, AS CONDITIONS VARY WITH EACH APPLICATION AND METHOD OF INSTALLATION. STRENGTH DATA GIVEN IS FOR FAILURE OF THE PRODUCT OR FOR SUFFICIENT DEFORMATION TO MAKE PRODUCT INOPERABLE. NO SAFETY FACTOR HAS BEEN APPLIED IT IS RECOMMENDED THAT THE USER REQUEST A PRODUCT SAMPLE FOR TESTING TO DETERMINE THE SUITABILITY OF THE PRODUCT FOR THE PURPOSE INTENDED AND USER'S PARTICULAR APPLICATION.



| PART NUMBER | MAXIMUM WORKING LOAD | AVERAGE ULTIMATE LOAD | AVERAGE CLAMPING LOAD | MAXIMUM TORQUE TO FAIL WING |
|----------------------------|----------------------|-----------------------|-----------------------|-----------------------------|
| K4-3040-07 NON-LOCKABLE | 1780 N (400 LBS) | 3990 N (895 LBS) | 330 N (75 LBS) | 2000 Ncm (18 IN*LBS) |
| K4-3020-07 KEY-LOCKABLE | | | | |

CYCLE LIFE: TESTED TO 10,000 CYCLES WITHOUT FAILURE

- ① CLAMPING LOAD is the force exerted by the latch against the two panels, at the recommended mounting dimensions.
- ② WORKING LOAD is the maximum force that the product will withstand without affecting the operation or appearance of the product.
- ③ Average ULTIMATE LOAD causes failure of the product or sufficient deformation to make the product inoperable.
- ④ Maximum TORQUE TO FAIL WING is the torque that causes the wing/cam assembly to fail. Applied to the wing in the operating position (vertical).

REF: SIM-50