

southco[®]

PROPRIETARY ITEM - EXCEPT FOR USES EXPRESSLY GRANTED IN WRITING INFORMATION DISCLOSED HEREON IS CONFIDENTIAL AND ALL RIGHTS PATENT AND OTHERWISE ARE RESERVED BY SOUTHCO, INC.

E3 KEY LOCKABLE WING KNOB LATCH ASSEMBLY
SINGLE HOLE MOUNT
WITH MINIMAL INSIDE PROTRUSION

DATE
10NOV2004

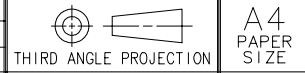
DRAWN
MJS

CHKD

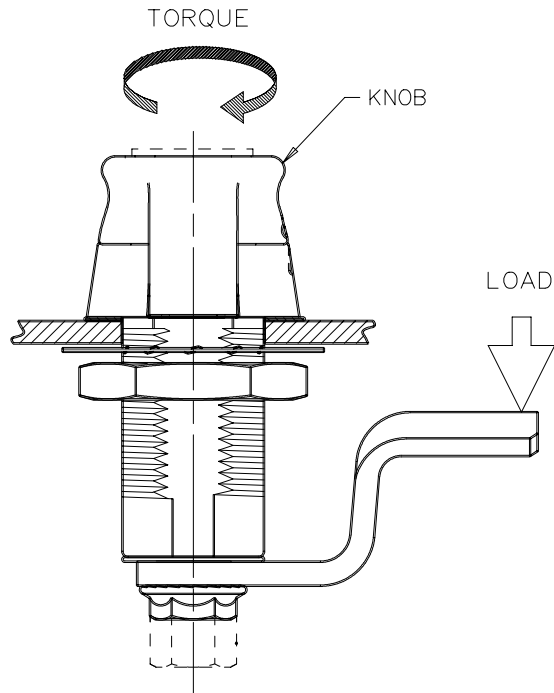
SCALE
NTS

DRAWING NUMBER
TD-E3-14-J

REV	DATE	DRAWN/CHKD	DESCRIPTION								



SOUTHCO PERFORMANCE GUIDELINES
THE PERFORMANCE GUIDELINES SHOWN ON THIS PAGE ARE SUPPLIED AS A GENERAL GUIDE ONLY, AS CONDITIONS VARY WITH EACH APPLICATION AND METHOD OF INSTALLATION. STRENGTH DATA GIVEN IS FOR FAILURE OF THE PRODUCT OR FOR SUFFICIENT DEFORMATION TO MAKE PRODUCT INOPERABLE. NO SAFETY FACTOR HAS BEEN APPLIED. IT IS RECOMMENDED THAT THE USER REQUEST A PRODUCT SAMPLE FOR TESTING TO DETERMINE THE SUITABILITY OF THE PRODUCT FOR THE PURPOSE INTENDED AND USER'S PARTICULAR APPLICATION.



ASSEMBLY PART NUMBERS
E3-105X-XXX
E3-125X-XXX

COMPRESSIVE STRENGTH - MAXIMUM WORKING LOAD:
300 N (67 lbf)
- AVERAGE ULTIMATE LOAD:
700 N (157 lbf)

RECOMMENDED TIGHTENING TORQUE - MOUNTING NUT:
20 N·m (177 lbf in)
- MOUNTING SCREW:
10 N·m (88.5 lbf·in)

MAXIMUM WORKING LOAD - THE MAXIMUM RECOMMENDED LOAD AT WHICH THE PRODUCT CONTINUES TO FUNCTION PROPERLY.

AVERAGE ULTIMATE LOAD - THE LOAD THAT CAUSES FAILURE OR EXCESSIVE DEFORMATION WHICH RENDERS THE PRODUCT INOPERABLE.