

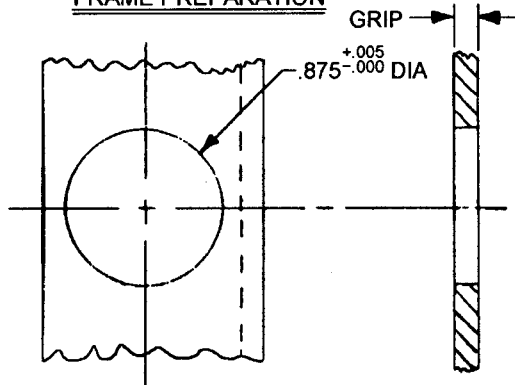


SOUTHCO NO. 02 ROUND MAGNETIC LATCH
600 SERIES

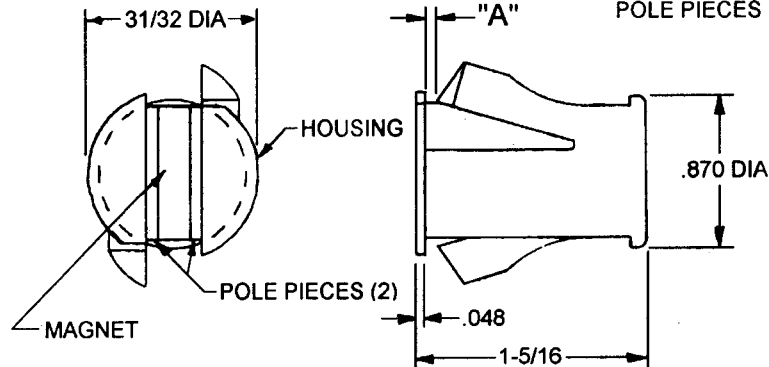
DATE	DRAWN	CHKD	SCALE	DRAWING NUMBER
6-7-72	VBS	RHB	NTS	J-02-20-6

REV. LET.	DATE	BY-CHKD	REVISIONS	LATCH PART NO.	GRIP	"A"	WEIGHT LBS / M	R.S.	DATE	APP
H	29OCT97	SWD	PRN: 02-101 A	02-20-611-10	.020 TO .080	.020	68.1	A	9-18-73	RHB
				02-20-612-10	.080 TO .140	.080	68.1	B		
				02-20-613-10	.140 TO .200	.140	68.1	C		
								D	6-20-74	SJM

FRAME PREPARATION

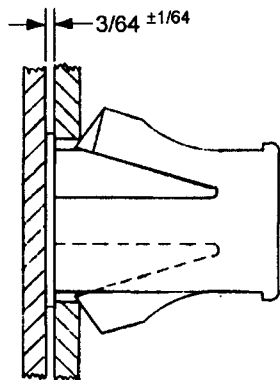


LATCH



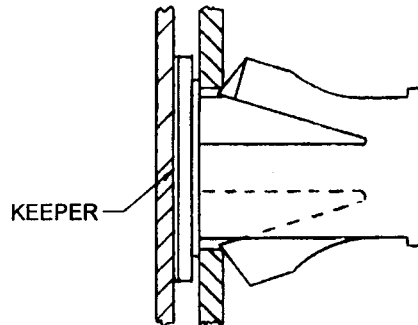
HOUSING - POLYPROPYLENE, BLACK
MAGNET - BARIUM FERRITE
POLE PIECES - 1010 STEEL, ZINC PLATE
PER QQ-Z-325 TY. I, CL. 3

INSTALLATION MAGNETIC DOORS



SNAP LATCH INTO HOLE
IN FRAME & CLOSE DOOR

INSTALLATION NON-MAGNETIC DOORS



USE KEEPER PART NO. 02-14-101-14
ORDER SEPARATELY BY PART NO.

KEEPER - ADHESIVE BACKED

PART NO. 02-14-101-14
MATERIAL: 1010 STEEL
FINISH: ZINC PLATE PER ASTM: B633 TY. 1

