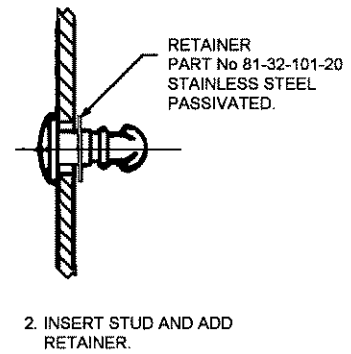
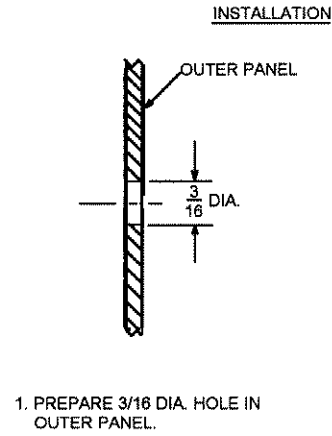


PART No.	"U"	"L"	"F"	REV.	DATE	APP.
81-11-040-16	.133	.225	.325	A	9-7-73	RHB
060	.153	.245	.345	B		
080	.173	.265	.365	C		
100	.193	.285	.385	D	11-7-73	RHB
120	.213	.305	.405			
140	.233	.325	.425			
160	.253	.345	.445			
180	.273	.365	.465			
200	.293	.385	.485			
220	.313	.405	.505			
240	.333	.425	.525			
260	.353	.445	.545			
280	.373	.465	.565			
300	.393	.485	.585			
81-11-320-16	.413	.505	.605			
81-11-500-16	.593	.685	.785			
81-11-600-16	.693	.785	.885			



MATERIAL- CASE HARDENED STEEL
FINISH- ZINC PLATE, CHROMATE PLUS SEALER.