

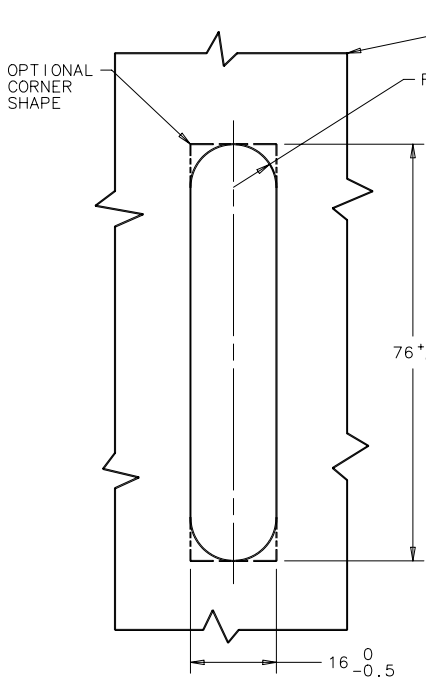
REV	DATE	DRAWN/CHKD	DESCRIPTION	ITEM	PART NUMBER	MATERIAL	FINISH	QUANTITY
C	30SEP2005	AJH/RLR	PRN: P2005-1340	ASSEMBLY	67-10	-	-	-
				HANDLE		PC/PBT BLEND	BLACK	1
				HOUSING		NYLON	BLACK	1
				BUSHING		ACETAL	BLACK	2
				SCREW		302 STAINLESS STEEL	PASSIVATED	2
				PIN		302 STAINLESS STEEL	PASSIVATED	1

MILLIMETERS

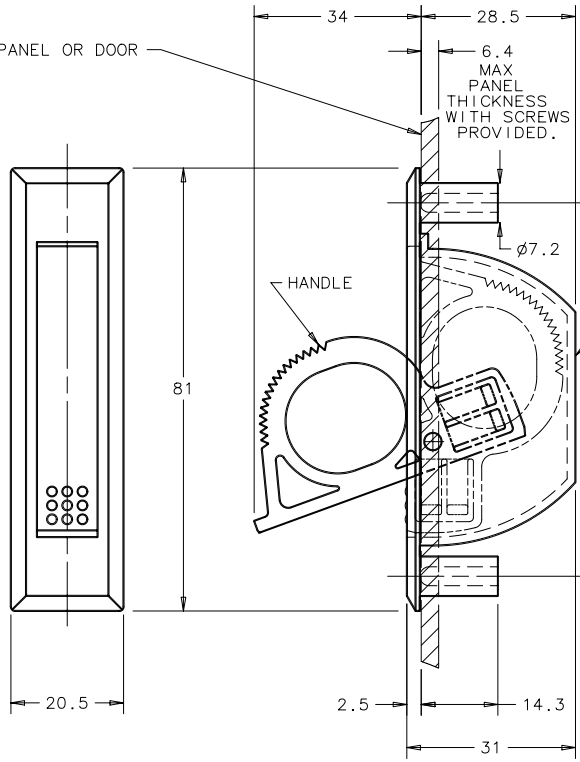
ALL DIMENSIONS WITHOUT TOLERANCES ARE FOR REFERENCE ONLY.



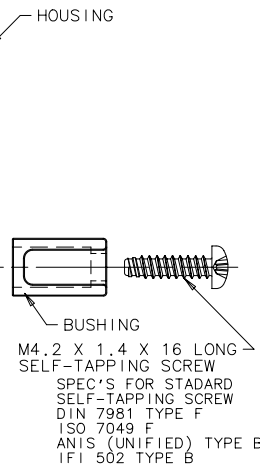
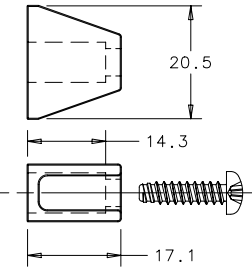
- NOTES:
- PRODUCT SHIPPED ONE ASSEMBLY PER PACKAGE.
 - RoHS COMPLIANT.



PANEL PREPARATION



TOP VIEW OF BUSHING



BUSHING
M4.2 X 1.4 X 16 LONG
SELF-TAPPING SCREW
SPEC'S FOR STADARD
SELF-TAPPING SCREW
DIN 7981 TYPE F
ISO 7049 F
ANIS (UNIFIED) TYPE B
IFI 502 TYPE B