

southco

PROPRIETARY ITEM - EXCEPT FOR USES EXPRESSLY GRANTED IN WRITING INFORMATION DISCLOSED HEREON IS CONFIDENTIAL AND ALL RIGHTS PATENT AND OTHERWISE ARE RESERVED BY SOUTHCO, INC.

CONCEALED PULL ASSEMBLY

DATE	DRAWN	CHKD	SCALE	DRAWING NUMBER
04 AUG 92	JAD		.75:1	J-67-25

REV	DATE	DRAWN/CHKD	DESCRIPTION	ITEM	PART NUMBER	MATERIAL	FINISH	REQUIRED
A	13 MAY 93	MPF	PRN:67-25-A	ASSEMBLY	67-25			
B	11 JAN 94	JAD	PRN:67-30	HANDLE		ALUMINUM	BLACK POWDER COAT	1
C	22SEP95	KCW	PRN:67-36	HOUSING		NYLON	BLACK	1
D	09OCT96	SWD	PRN:S-93-23	BUSHING		ACETAL	BLACK	2
E	26AUG2002	RLR/AJH	PRN:P2002-0591	SCREW		SEE NOTE B	PASSIVATED	2
				PIN		ALUMINUM	BLACK ANODIZE	2
				SPRING		SEE NOTE B	PASSIVATED	1

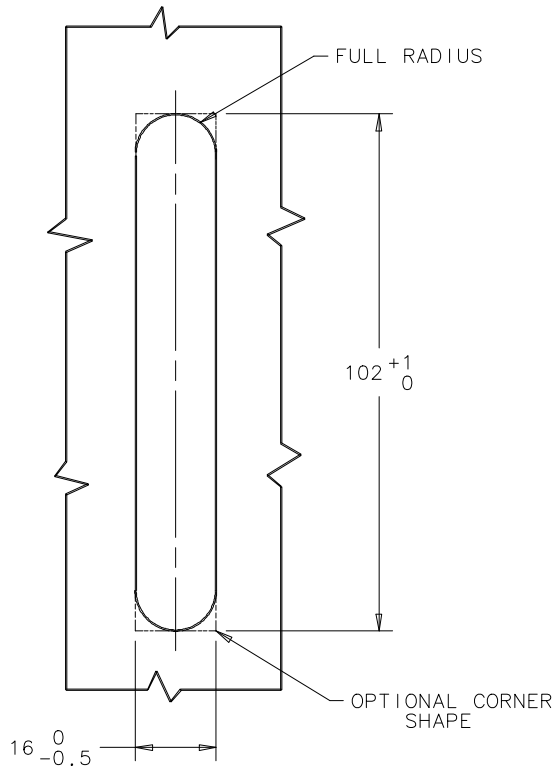
MILLIMETERS

ALL DIMENSIONS WITHOUT TOLERANCES ARE FOR REFERENCE ONLY.

THIRD ANGLE PROJECTION

A4 PAPER SIZE

- NOTES:
- A. PRODUCT SHIPPED ONE ASSEMBLY PER PACKAGE.
 - B. MATERIAL: 302 STAINLESS STEEL.



PANEL PREPARATION

