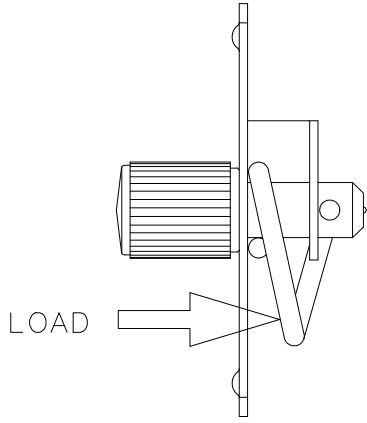


REV B	DATE 09APR2002	DRAWN/CHKD GDM	DESCRIPTION UPDATE FORMAT		SOUTHCO No. 57 SPRING LATCH - 20 SERIES	DATE 7 OCT 74	DRAWN PEK	CHKD	SCALE NTS	DRAWING NUMBER TD-57-2	THIRD ANGLE PROJECTION	A PAPER SIZE

SOUTHCO PERFORMANCE GUIDELINES  
 THE PERFORMANCE GUIDELINES SHOWN ON THIS PAGE ARE SUPPLIED AS A GENERAL GUIDE ONLY, AS CONDITIONS VARY WITH EACH APPLICATION AND METHOD OF INSTALLATION. STRENGTH DATA GIVEN IS FOR FAILURE OF THE PRODUCT OR FOR SUFFICIENT DEFORMATION TO MAKE PRODUCT INOPERABLE. NO SAFETY FACTOR HAS BEEN APPLIED IT IS RECOMMENDED THAT THE USER REQUEST A PRODUCT SAMPLE FOR TESTING TO DETERMINE THE SUITABILITY OF THE PRODUCT FOR THE PURPOSE INTENDED AND USER'S PARTICULAR APPLICATION.



No.57 SPRING LATCH - 20 SERIES

"GRIP" OF SPRING (FRAME OR STRIKER THICKNESS)	LOAD APPLIED BY THE SPRING WHEN ENGAGED
1.2 mm (.05 inch)	2.2 N (0.5 LBS)
2.8 mm (.11 inch)	11.1 N (2.5 LBS)
4.4 mm (.17 inch)	31.1 N (7 LBS)

VIBRATION : LATCH ASSEMBLY, VIBRATED IN LOCKED POSITIONS AT MINIMUM AND MAXIMUM GRIP AT 1/16 AMPLITUDE AND 20 HERTZ TO 80 HERTZ VARYING FREQUENCY. IT DIDN'T VIBRATE INTO UNLATCHED POSITION AFTER 6 HOURS OF VIBRATION AT EACH GRIP LENGTH.