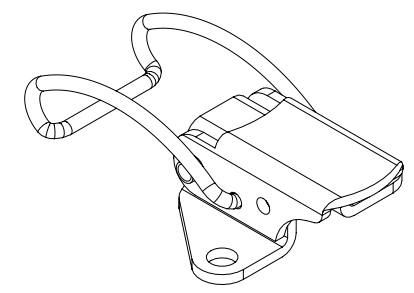
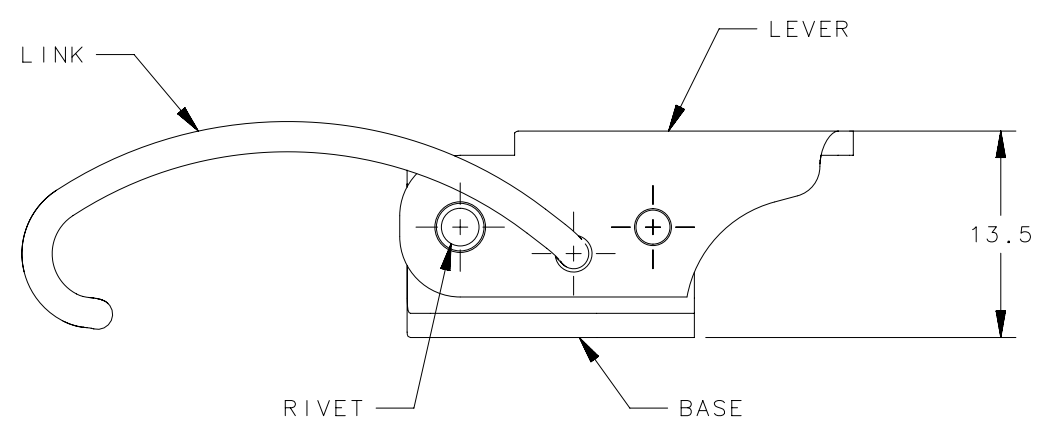
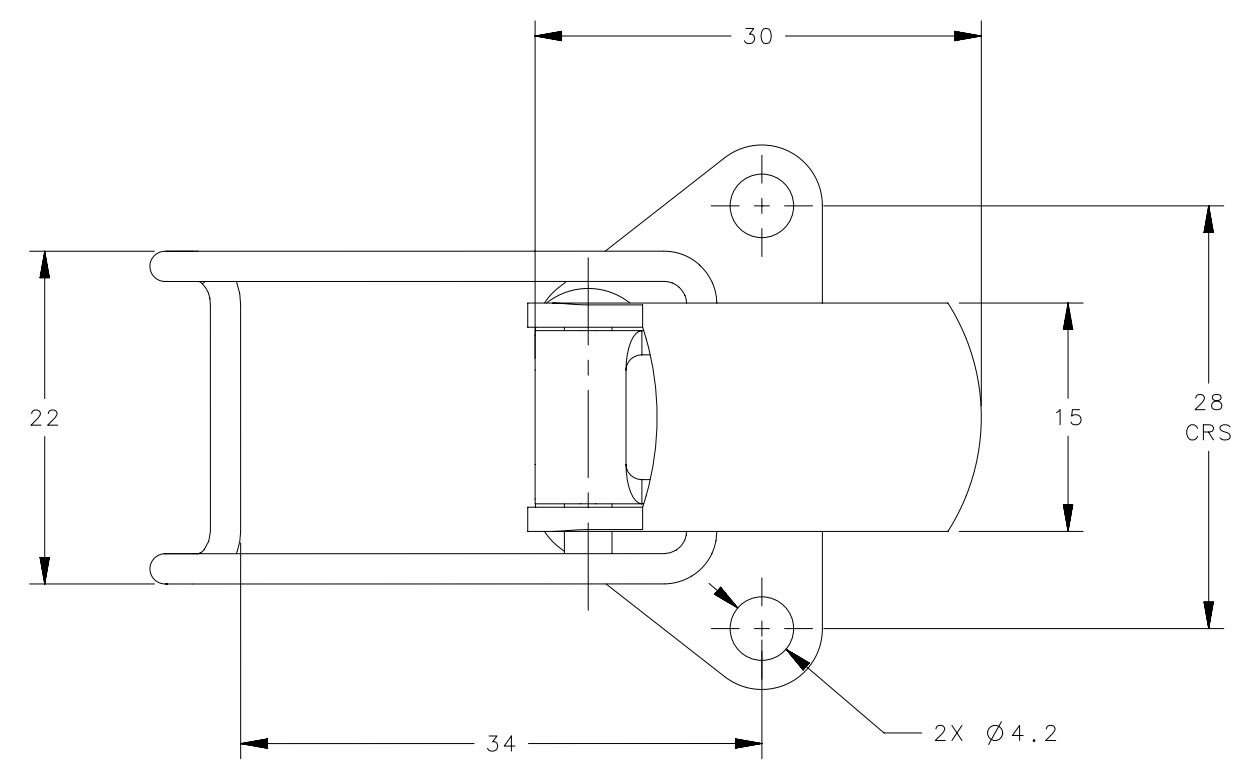


REVISION HISTORY			
REV	DATE	BY	DESCRIPTION
B	14DEC2021	ABK/HPD	PRN: P2021-2437



SCALE 1:1



TL-20-104-34	ASSEMBLY	CARBON STEEL	ZINC PHOSPHATE
TL-20-104-52	ASSEMBLY	STAINLESS STEEL	CLEAN
TL-20-104-24	ASSEMBLY	STAINLESS STEEL	ELECTRO POLISHED
TL-20-104-07	ASSEMBLY	CARBON STEEL	ZINC PLATE & TRIVALENT PASS.
PART NUMBER	TYPE OF COMPONENT	MATERIAL	FINISH

THIRD ANGLE PROJECTION		 CONNECT • CREATE • INNOVATE	
MILLIMETERS [IN]			
TOLERANCES UNLESS OTHERWISE NOTED		DESCRIPTION TOGGLE LATCH ASSEMBLY	
ALL DIMENSIONS WITHOUT TOLERANCES ARE FOR REFERENCE ONLY.		SIZE A3	SYSTEM NX
PER ASME Y14.5M-1994		DWG NO. J-TL-20-104-XX	DATE 08AUG2013
DRAWN BY MWC/YGC		SCALE 2:1	SHEET 1 OF 1

PROPRIETARY ITEM  
EXCEPT FOR USES EXPRESSLY GRANTED  
IN WRITING, INFORMATION DISCLOSED  
HEREON IS CONFIDENTIAL AND ALL  
RIGHTS, PATENT AND OTHERWISE,  
ARE RESERVED BY SOUTHCO, INC.