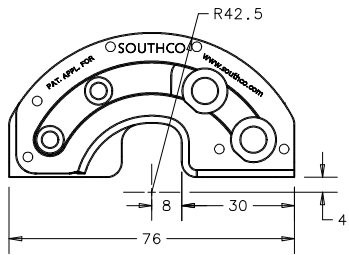
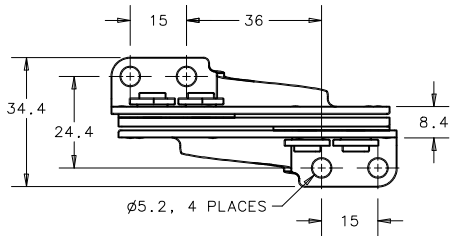


	REV. DATE	DRAWN	REVISION	COMPONENT	MATERIAL	FINISH/COLOR
	A	03DEC2020	0MS/MR	PRN: P2020-2233	ROLLER LEAF CAM LEAF (2) RIVLET (4) WASHER (2) BUSHING (4)	SEE NOTE A SEE NOTE A 300 SERIES STAINLESS STEEL ACETAL ACETAL
PROPRIETARY ITEM - EXCEPT FOR USES EXPRESSLY GRANTED IN WRITING, INFORMATION DISCLOSED HEREIN IS UNLAWFULLY COPIED, REPRODUCED, OR OTHERWISE USED WITHOUT THE WRITTEN PERMISSION OF SOUTHCO, INC. AND OTHER TRADEMARKS ARE RESERVED BY SOUTHCO, INC.		DATE	DRAWN	CHKD	SCALE	DRAWING NUMBER
		15DEC2000	RJB	NTS	J-R6-20-1	
		CONCEALED 180 DEGREE OPENING HINGE TRADE DRAWING				
		WILL METER DIMENSIONS DIMENSIONS WITHOUT TOLERANCES ARE FOR REFERENCE ONLY.				

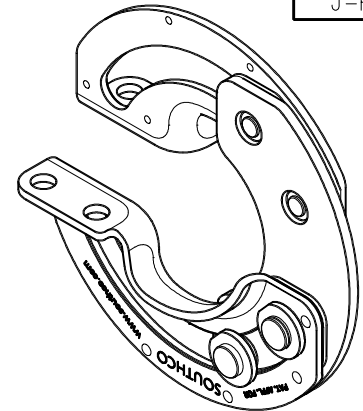
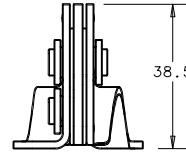
DRAWING NUMBER
J-R6-20-1

NOTE A: PART NUMBER MATERIAL & FINISH

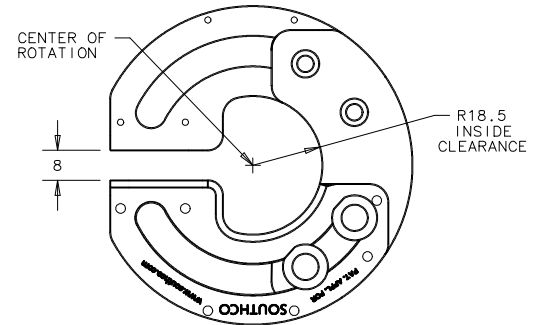
- R6-20-11 STEEL, ZINC PLATE
- R6-20-23 300 SERIES STAINLESS STEEL,
NATURAL
- R6-20-15 STEEL, ZINC PLATE PLUS
BLACK CHROMATE



CLOSED POSITION



OPEN POSITION



PANEL PREPARATIONS

1. MAX PANEL THICKNESS 4mm.
2. PREPARE DOOR AND FRAME AS SHOWN.
3. INSTALL USING M5 OR No. 10 HARDWARE (NOT SUPPLIED) OR BY WELDING.

