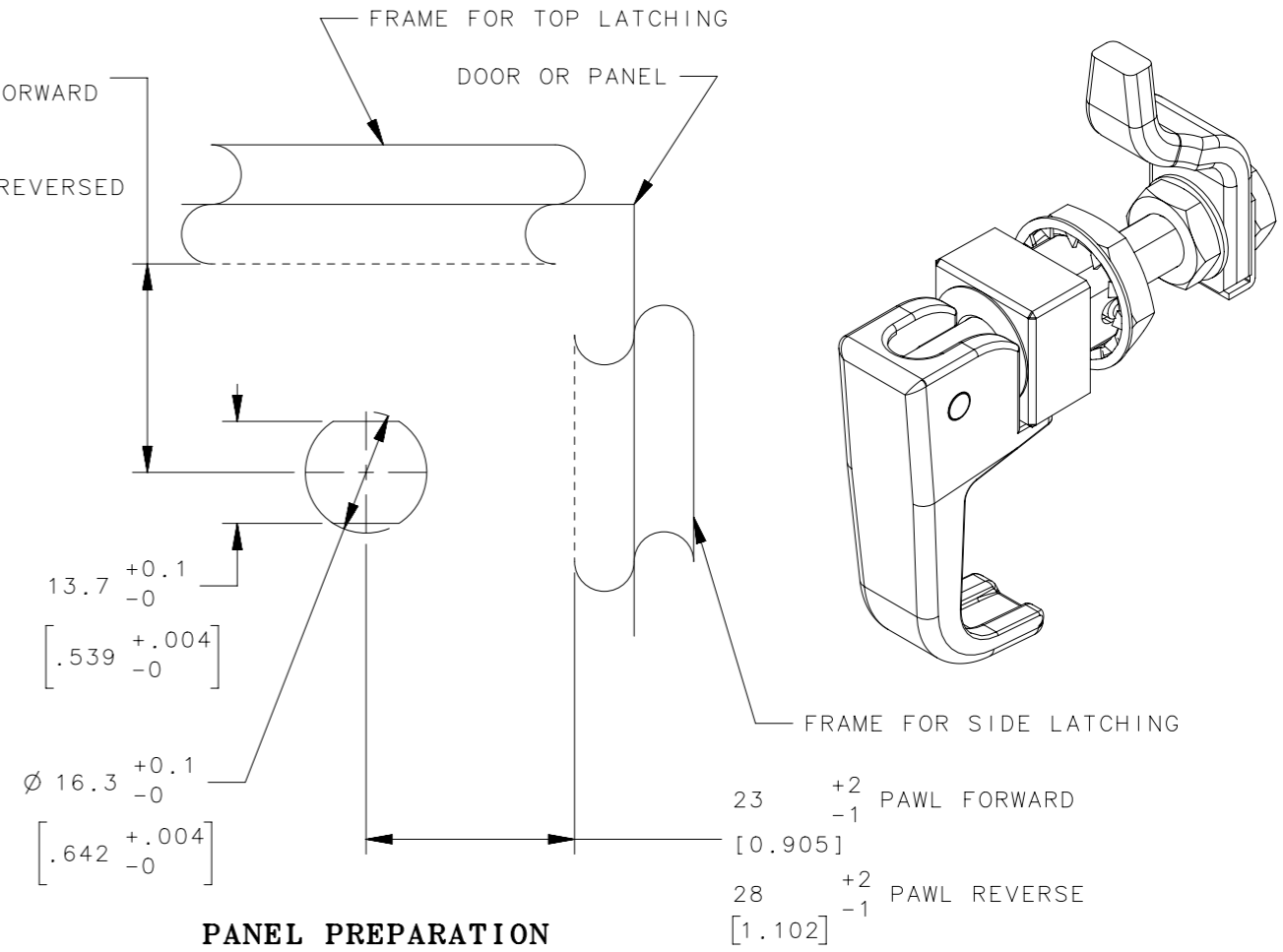
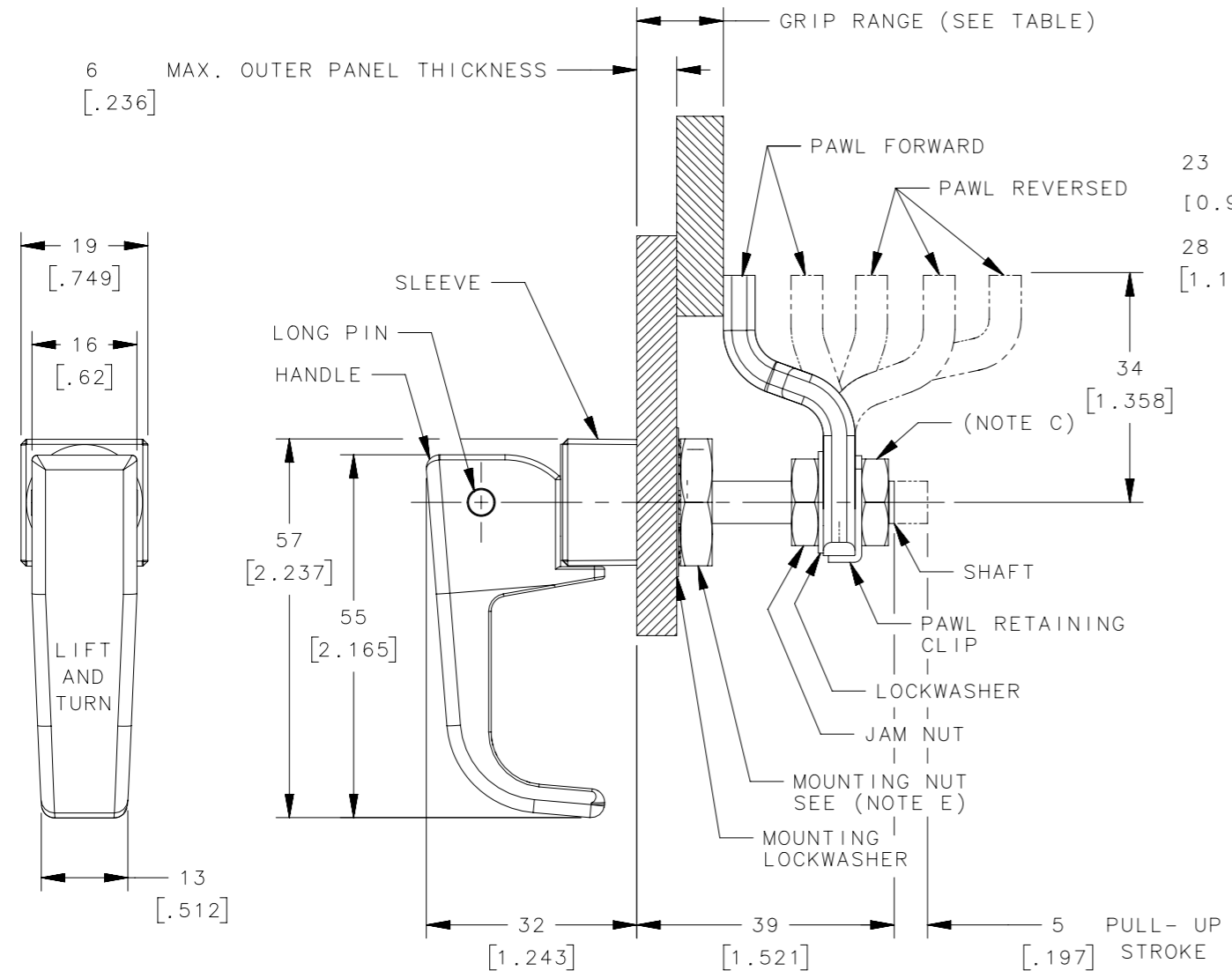


REVISION HISTORY			
REV	DATE	BY	DESCRIPTION
L	04MAR2021	KSH/VK	PRN: P2021-0424



**PANEL PREPARATION**

- NOTES:
- A. THREAD SIZE OF SLEEVE IS 5/8-24 AND THE SHAFT IS M8.
  - B. ASSEMBLE AS SHOWN AND ROTATE PAWL TO THE DESIRED LATCHING POSITION.
  - C. PAWL SHOULD BE ADJUSTED TO GRIP MEASUREMENT WITH THE DOOR OPEN AND THE HANDLE IN THE LATCHED POSITION. USE TWO WRENCHES TO TIGHTEN. INSTALLATION TORQUE 8.5 N-m (75 lbf-in) MAX.

- D. MATERIAL AND FINISH:  
 HANDLE AND SLEEVE: DIE CAST ZINC, SEE TABLE FOR FINISH.  
 GROOVE PIN: 303 STAINLESS STEEL, NATURAL OR BLACK ORGANIC COATING.  
 SPRING: 302 STAINLESS STEEL, PASSIVATED.  
 SHAFT: LOW CARBON STEEL, ZINC PLATE PLUS SEALER OR SEALER OR WITH BLACK CHROMATE CONVERSION.  
 PAWL POSITIONING PIN: 1213 STEEL, ZINC PLATE PLUS SEALER OR WITH BLACK ORGANIC COATING.  
 PAWL AND PAWL RETAINING CLIP: 1010 STEEL, ZINC PLATE, PLUS SEALER  
 LOCKWASHERS: SPRING STEEL, ZINC PLATE PLUS SEALER  
 JAM NUTS: LOW CARBON STEEL, ZINC PLATE, CHROMATE PLUS SEALER.  
 MOUNTING NUTS: DIE CAST ZINC, ZINC PLATE, CROMATE PLUS SEALER.  
 BUSHING: 304 STAINLESS STEEL, PASSIVATED OR ZINC PLATE WITH BLACK CHROMATE CONVERSION.  
 PIN: 303 STAINLESS STEEL, PASSIVATED OR ZINC PLATE WITH BLACK CROMATE CONVERSION.

- E. MOUNTING NUT INSTALLATION TORQUE:  
 FOR OUTER PANEL THICKNESS UP TO 4.75mm[0.187]: 7.3 N-m (65 ibf-in) MAX.  
 FOR OUTER PANEL THICKNESS 4.76mm[0.187] TO 6mm 4.5 N-m (40 lbf-in) MAX.

GRIP		ASSEMBLY PART NUMBER TABLE				
MIN	MAX	POLISHED CHROME	BRUSHED CHROME	NATURAL WITH CHEMICAL PROTECTIVE FILM	BLACK POWDER COATED	SATIN SILVER POLYESTER POWDER COATED
2	12	62-10-21	62-10-22	62-10-23	62-10-25	62-10-27
12	22	62-10-31	62-10-32	62-10-33	62-10-35	62-10-37
22	32	62-10-31	62-10-32	62-10-33	62-10-35	62-10-37
32	42	62-10-21	62-10-22	62-10-23	62-10-25	62-10-27
42	52	62-10-11	62-10-12	62-10-13	62-10-15	62-10-17

NOTE: FOR LAYER PACKAGED HANDLES, ADD A -3 TO THE END OF THE PART NUMBER. EXAMPLE: (62-10-21-3)

62-10-XX-Y		PART NUMBER	
CPB NUMBER 2017-0124	THIRD ANGLE PROJECTION		
	MILLIMETERS [IN]		
	TOLERANCES UNLESS OTHERWISE NOTED	DESCRIPTION No. 62-10 SERIES LATCH ASSEMBLY	
	ALL DIMENSIONS WITHOUT TOLERANCES ARE FOR REFERENCE ONLY.	SIZE A3	SYSTEM NX
PROPRIETARY ITEM EXCEPT FOR USES EXPRESSLY GRANTED IN WRITING, INFORMATION DISCLOSED HEREON IS CONFIDENTIAL AND ALL RIGHTS, PATENT AND OTHERWISE, ARE RESERVED BY SOUTHCO, INC.	PER ASME Y14.5M-1994	DWG NO. J-62-10	DATE 31OCT1992
		SCALE 1:1	SHEET 1 OF 1