

REVISION HISTORY			
REV	DATE	BY	DESCRIPTION
B	06FEB2017	ACH/CL	PRN: P2016-1183

P2-4DM-RL

DOOR THICKNESS RANGE

- 1 - 1.0 - 1.4
- 2 - 1.4 - 1.8
- 3 - 1.8 - 2.1
- 4 - 2.1 - 2.5

ROTATION

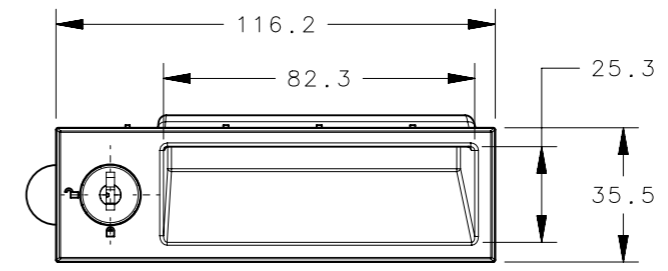
- 1 - TYPE A (CLOCKWISE)
- 2 - TYPE B (COUNTER-CLOCKWISE)

LOCK STYLE

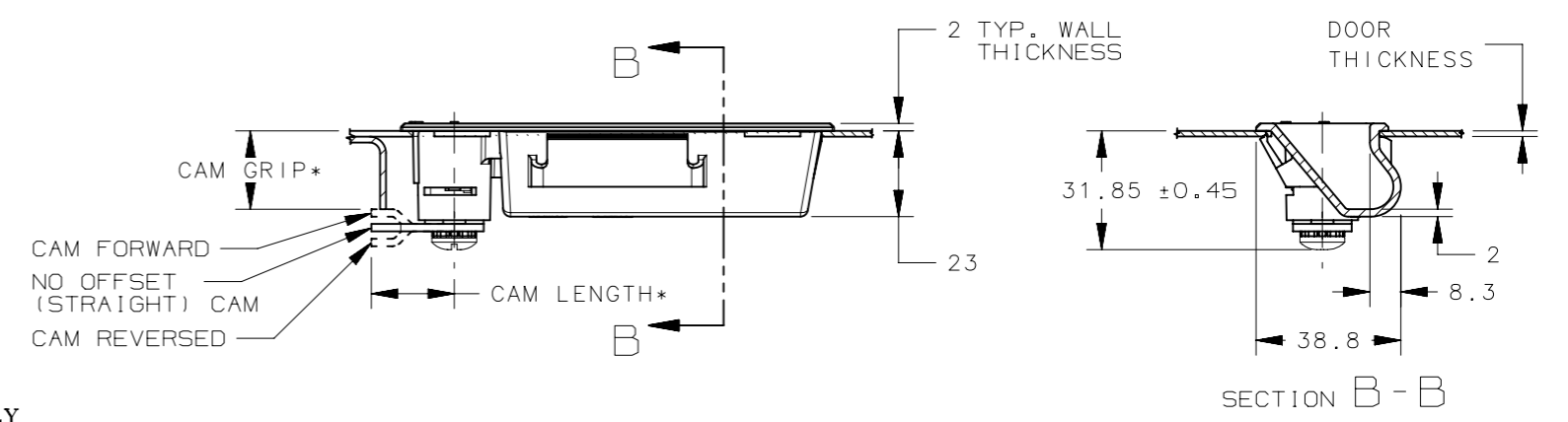
- 2 - LOCKING, KEYED ALIKE CH751 (TWO FLAT KEYS SUPPLIED)
- 9 - WITHOUT LOCK PLUG (SEE PAGE 2 FOR DETAILS)

MATERIAL

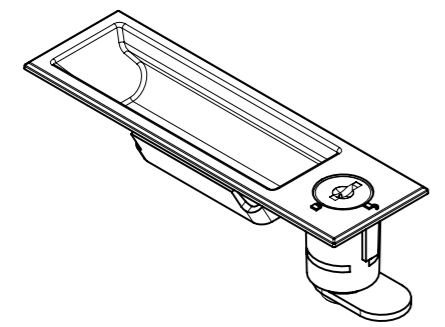
- 1 - UL94-V0 PC/ABS
- 2 - UL94-HB ABS



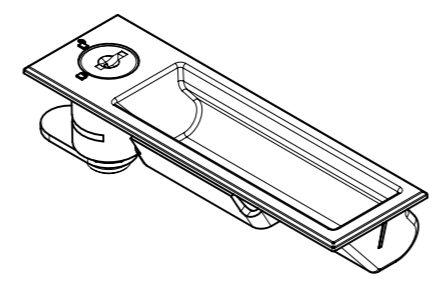
PART NUMBER P2-411-22 SHOWN ASSEMBLED TO CAM P/N CM-007



TYPICAL TYPE A ASSEMBLY (CLOCKWISE)



TYPICAL TYPE B ASSEMBLY (COUNTER-CLOCKWISE)

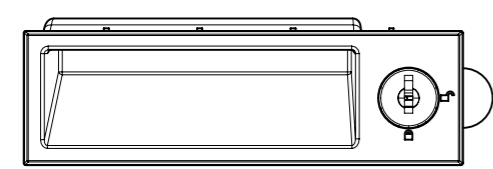


* CAM ORDERED SEPERATELY. FOR CAM PART NUMBERS SEE DRAWING AND OPTIONS SEE DRAWING J-CM-C

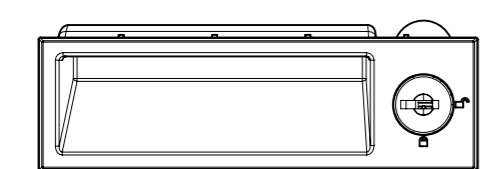
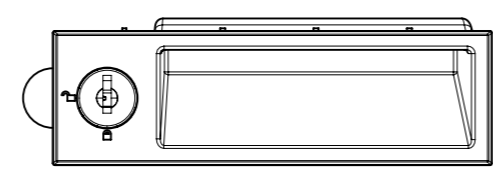
CAM FORWARD GRIP	CAM REVERSED GRIP	CAM OFFSET NO OFFSET
25	25	3.2
21.8	28.2	6.4
18.6	31.4	9.5
15.5	34.5	

NOTES:

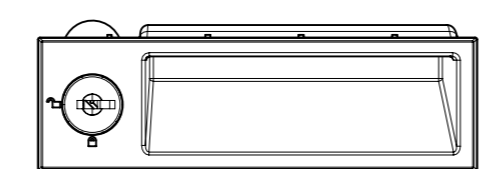
- A. TO BE SHIPPED IN LAYER PACKAGING,
- B. COSMETIC SPECIFICATION: ALL SURFACES UNLESS STATED TO CONFORM TO A CLASS 'B' SPECIFICATION ACCORDING TO SOUTHCO SPECIFICATION S-121.



LOCKED



UNLOCKED



		QTY	MATERIAL	FINISH
-	CAM SCREW	1	STEEL	ZINC PLATED
-	LOCK EXTENDER	1	ZINC ALLOY	ZINC PLATED
-	O-RING	1	BUNA N	BLACK
-	CAM (ORDERED SEPARATELY)	1	STEEL	ZINC PLATED
-	STOP WASHER	1	STEEL	ZINC PLATED
-	LOCKPLUG	1	ZINC ALLOY	BLACK
-	RIGHT OR LEFT HAND HANDLE	1	PC/ABS	BLACK
P2-4DM-RL	ASSEMBLY	-	-	-
PART NUMBER	ITEM	QTY	MATERIAL	FINISH

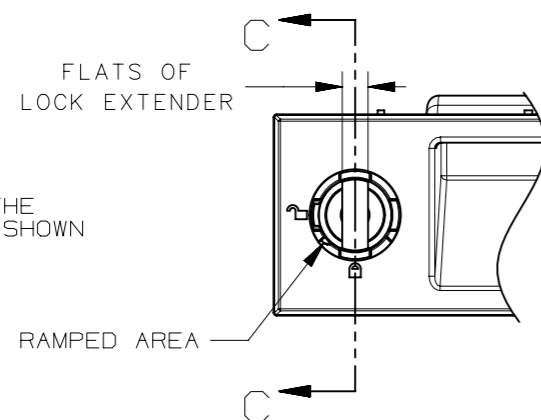
THIRD ANGLE PROJECTION			
MILLIMETERS [IN]			
TOLERANCES UNLESS OTHERWISE NOTED		DESCRIPTION	
SURFACE AREA 26915.28mm ²		LOCKABLE P2 PULL	
VOLUME 25298.15mm ³		SIZE A3 SYSTEM NX DWG NO. J-P2-4DM-RL	
PROPRIETARY ITEM		DATE 01FEB2013 SCALE 1:2 SHEET 1 OF 2	
EXCEPT FOR USES EXPRESSLY GRANTED IN WRITING, INFORMATION DISCLOSED HEREON IS CONFIDENTIAL AND ALL RIGHTS, PATENT AND OTHERWISE, ARE RESERVED BY SOUTHCO, INC.		DRAWN BY JEM	
PER ASME Y14.5M-1994		DATE 01FEB2013 SCALE 1:2 SHEET 1 OF 2	

INSTALLATION OF LOCKPLUG FOR P2-4DM-R9* (WITHOUT LOCKPLUG)

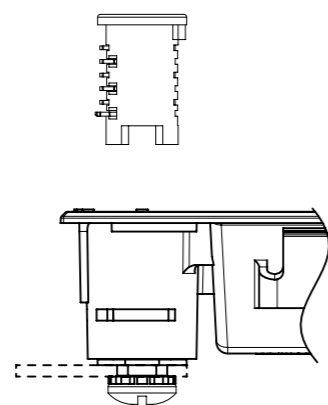
*FOR LOCKPLUG PART NUMBERS AND OPTIONS SEE DRAWINGS LISTED BELOW

REVISION HISTORY			
REV	DATE	BY	DESCRIPTION
B	06FEB2017	ACH/CL	PRN: P2016-1183

1. ALIGN FLATS OF THE LOCK EXTENDER AS SHOWN



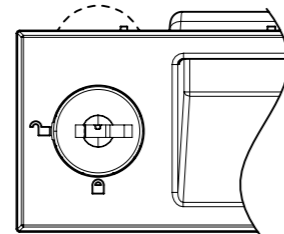
2. ORIENT THE BRASS WAFERS OF LOCKPLUG TO THE RAMPED AREA OF THE LOCK CORE



3. PUSH THE LOCKPLUG INTO HANDLE LOCK CORE UNTIL IT STOPS

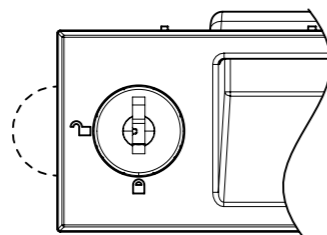
LOCKPLUG INSTALLED UNLOCKED POSITION

4. INSERT KEY INTO LOCKPLUG AND TURN TO VERIFY LOCKPLUG IS FULLY SEATED PROPERLY

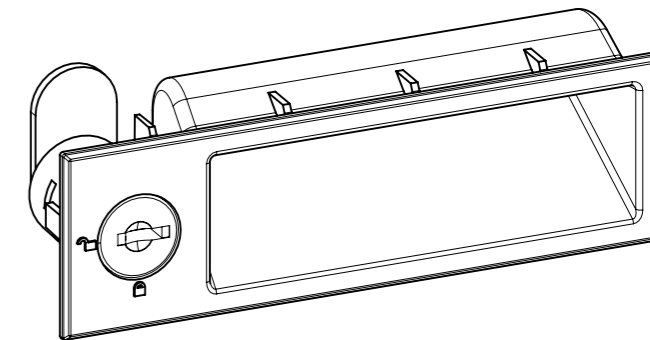
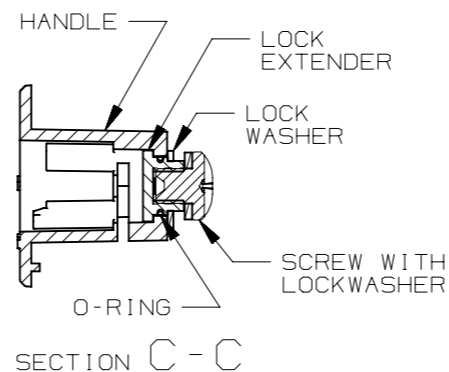


5. INSTALL CAM INTO ASSEMBLY. PROPERLY ORIENTATE FOR ROTATION AND GRIP

LOCKPLUG INSTALLED LOCKED POSITION



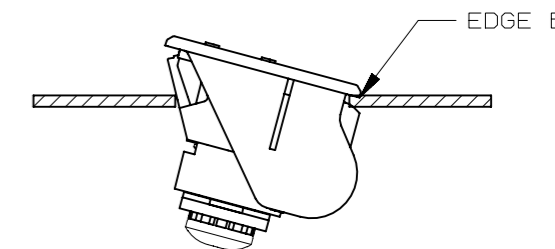
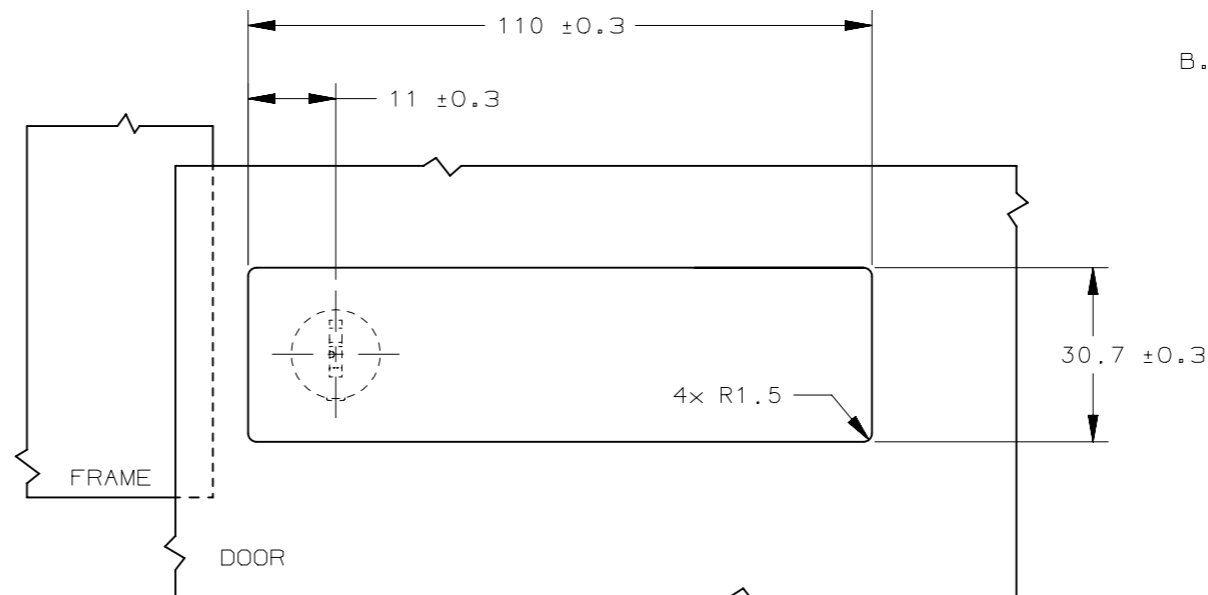
6. INSTALL SCREW WITH LOCKWASHER TIGHTEN TO 4Nm



LOCK PLUG PART NUMBER						
KEYING	KEY CODE	BAG QTY	NONE SHUTTER BLACK POWDER COATED	NONE SHUTTER CHROME PLATED	COMMENTS	DRAWING
KA (1 KEY CODE)	CH751	1	PK-115-13	PK-116-13	SEE NOTE A	J-PK-110
KA (1 KEY CODE)	RS001	1	PK-29-15-13-RS001	PK-29-16-13-RS001	SEE NOTE A	J-PK-29
KD (KEYED DIFFERENTLY)	RS001-RS010	10	PK-29-15-13-KD1010	PK-29-16-13-KD1010	SEE NOTE A	
KD (KEYED DIFFERENTLY)	RS001-RS050	50	PK-29-15-13-KD1050	PK-29-16-13-KD1050	SEE NOTE A	
KD (KEYED DIFFERENTLY)	RS001-RS125	125	PK-29-15-13-KD1125	PK-29-16-13-KD1125	SEE NOTE A	
MKKD (KEYED DIFFERENTLY)	LS001-LS010	10	PK-29-15-13-MK1010	PK-29-16-13-MK1010	SEE NOTES A & B	
MKKD (KEYED DIFFERENTLY)	LS001-LS050	50	PK-29-15-13-MK1050	PK-29-16-13-MK1050	SEE NOTES A & B	
MKKD (KEYED DIFFERENTLY)	LS001-LS125	125	PK-29-15-13-MK1125	PK-29-16-13-MK1125	SEE NOTES A & B	

NOTES:

- A. CONTROL (REMOVAL) KEY, SOUTHCO PART NUMBER PK-11-03. CONTROL KEY SOLD SEPARATELY.
- B. KEY CODES LS001 - LS125 USE MASTER KEY, SOUTHCO PART NUMBER PK-24-01. MASTER KEY SOLD SEPARATELY.



INSTALLATION:

- HOOK THE LATCH INTO THE PANEL ON EDGE B (SHOWN BELOW)
- ENGAGE EDGE OF THE PANEL INTO THE LATCH AS SHOWN AND SEAT THE OTHER SIDE INTO THE PANEL WITH A ROCKING MOTION.

SURFACE AREA 26915.28mm ² VOLUME 25298.15mm ³ PROPRIETARY ITEM <small>EXCEPT FOR USES EXPRESSLY GRANTED IN WRITING, INFORMATION DISCLOSED HEREON IS CONFIDENTIAL AND ALL RIGHTS, PATENT AND OTHERWISE, ARE RESERVED BY SOUTHCO, INC.</small>	THIRD ANGLE PROJECTION		
	MILLIMETERS [IN]		
	TOLERANCES UNLESS OTHERWISE NOTED	DESCRIPTION LOCKABLE P2 PULL	
	ALL DIMENSIONS WITHOUT TOLERANCES ARE FOR REFERENCE ONLY.	SIZE A3	SYSTEM NX
PER ASME Y14.5M-1994	DRAWN BY JEM	DATE 01FEB2013	SCALE 3:4
			SHEET 2 OF 2