

southco

PROPRIETARY ITEM - EXCEPT FOR USES EXPRESSLY GRANTED IN WRITING INFORMATION DISCLOSED HEREON IS CONFIDENTIAL AND ALL RIGHTS PATENT AND OTHERWISE ARE RESERVED BY SOUTHCO, INC.

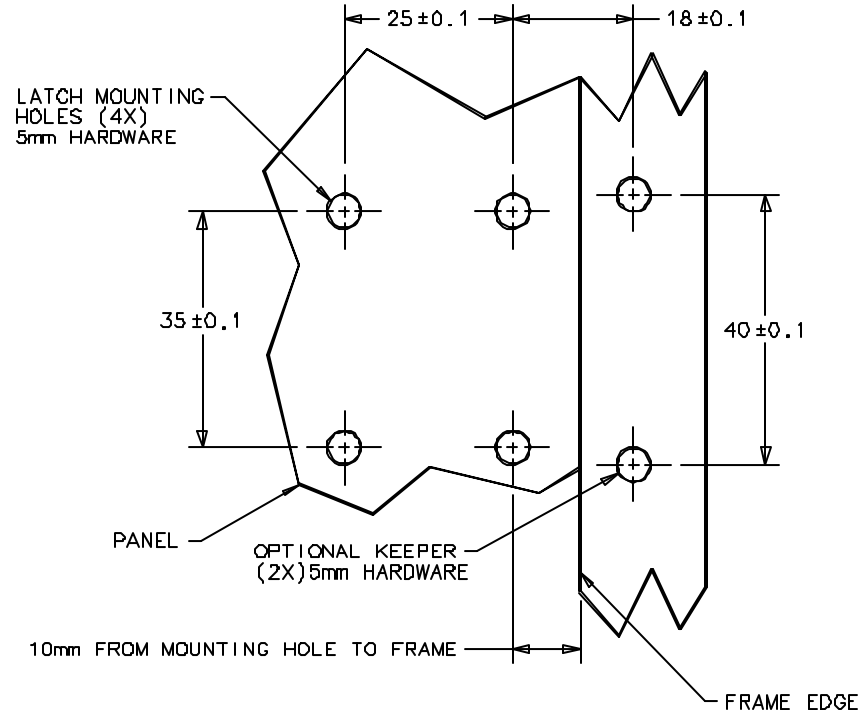
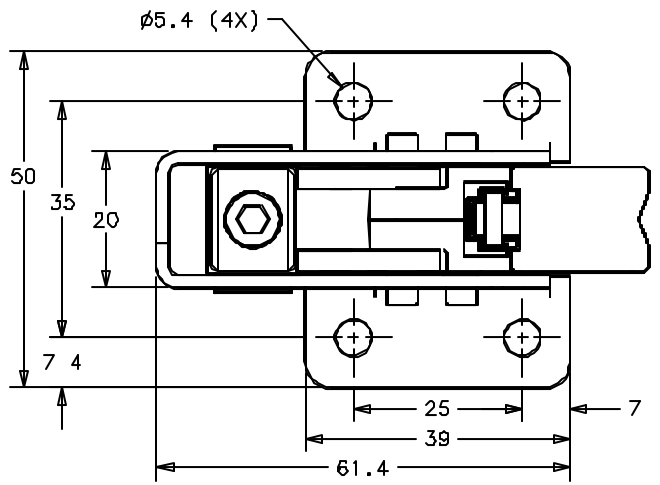
LATCH ASSEMBLY

DATE	DRAWN	CHKD	SCALE	DRAWING NUMBER
08AUG94	JGK		1:1	J-M3-50

REV	DATE	DRAWN/CHKD	DESCRIPTION	ITEM	PART NUMBER	QUANTITY	MATERIAL	FINISH
G	31JUL2002	VNI/DLH	PRN: P2002-0527	ASSEMBLY	M3-50	-	-	-
H	18OCT2003	AJH/MJS	PRN: P2003-0914	PAWL	-	1	DIE CAST ZINC	CORICONE DIP
I	19NOV2003	LTS/CHW	PRN: P2003-1051	SHORT PIN	-	1	STEEL	ZINC PLATE, CHROMATE PLUS SEALER
				LONG PIN	-	1	STEEL	ZINC PLATE, CHROMATE PLUS SEALER
				OFFSET PIN	-	1	STEEL	ZINC PLATE, CHROMATE PLUS SEALER
				LEFT HOUSING	-	1	STEEL	ZINC PLATE, CHROMATE PLUS SEALER
				RIGHT HOUSING	-	1	STEEL	ZINC PLATE, CHROMATE PLUS SEALER
				LINK	-	2	STEEL	ZINC PLATE, CHROMATE PLUS SEALER
				PAWL SUPPORT	-	1	DIE CAST ZINC	CORICONE DIP
				CRANK	-	1	DIE CAST ZINC	EPC - 1166
				SET SCREW	-	1	STEEL	ZINC PLATE, CHROMATE PLUS SEALER
				NUT	-	1	STEEL	ZINC PLATE, CHROMATE PLUS SEALER
				SCREW	-	1	STEEL	ZINC PLATE, CHROMATE PLUS SEALER

MILLIMETERS

ALL DIMENSIONS WITHOUT TOLERANCES ARE FOR REFERENCE ONLY.



GRIP RANGE ADJUSTABLE IN 0.79mm INTERVALS

LATCH SHOWN WITH PAWL REVERSED

SUGGESTED PANEL PREPARATION

GRIP RANGE	MIN.	MAX.
PAWL FORWARD	3.5	10.2
PAWL REVERSED	10.2	20.0