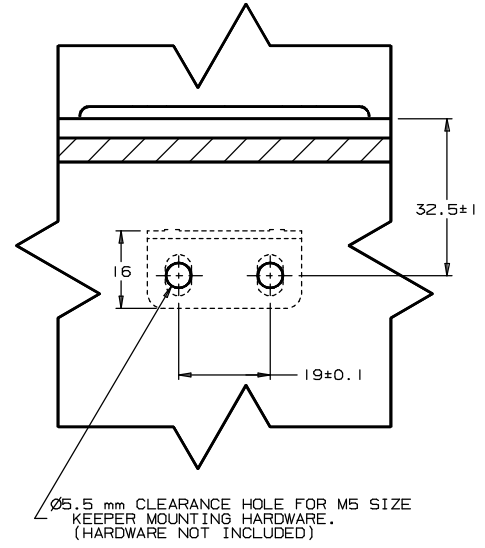
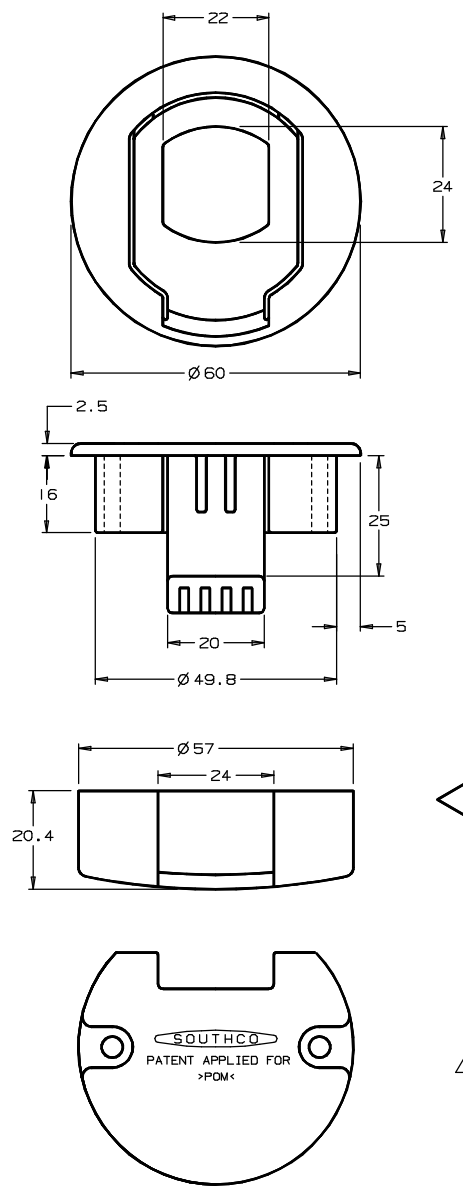


REV.	DATE	BY-CHKD	REVISIONS	PART NO.	COMPONENT	MATERIAL	FINISH
A	14 MAR 95	Jgk		MI-81	LATCH	ACETAL	BLACK
				PRN: MI-28	MOUNTING CUP	ACETAL	BLACK
					KEEPER	304 S/S	PASSIVATED
					MOUNTING SCREWS (2)	302 S/S	PASSIVATED



PANEL PREPARATION

