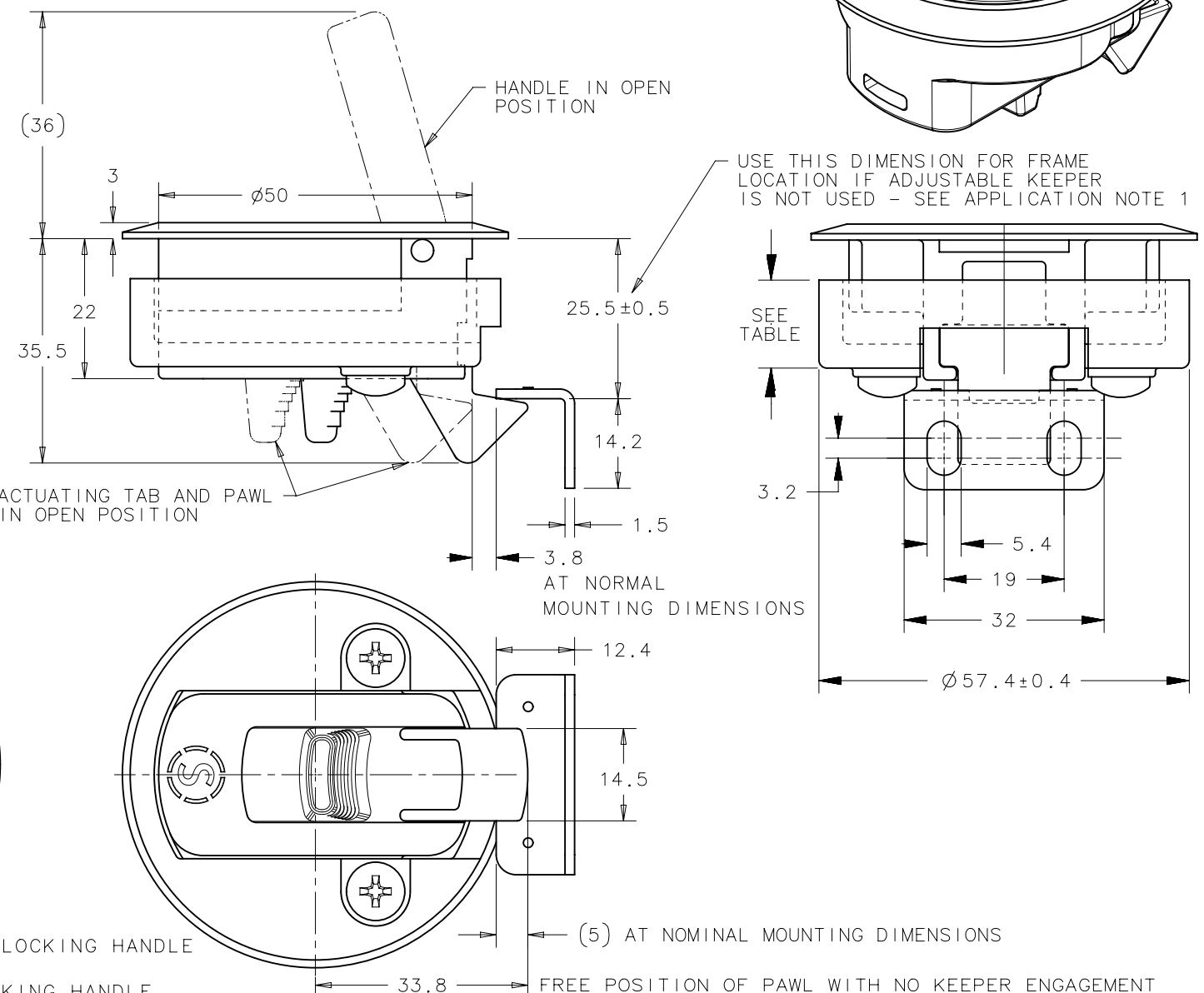
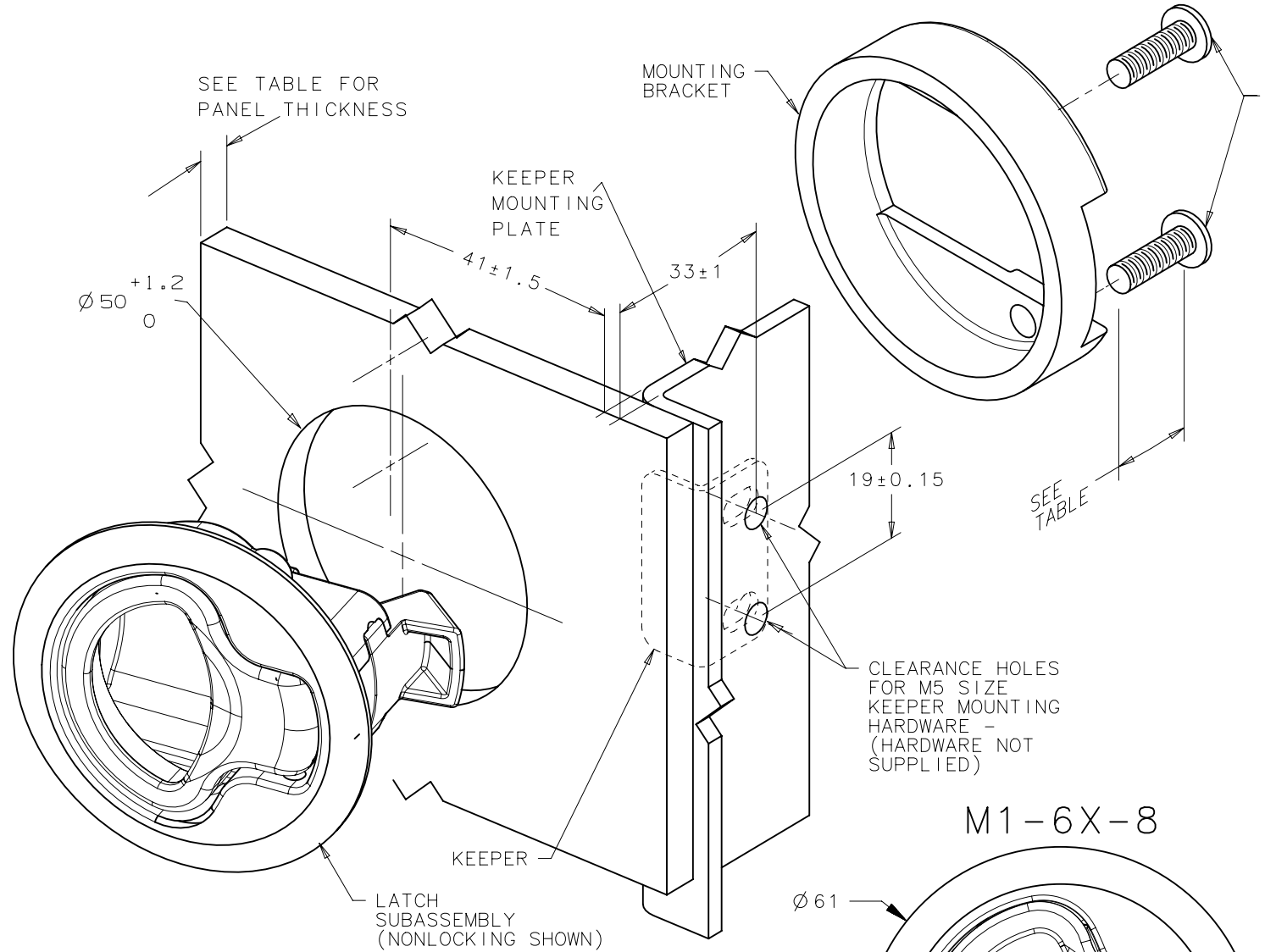
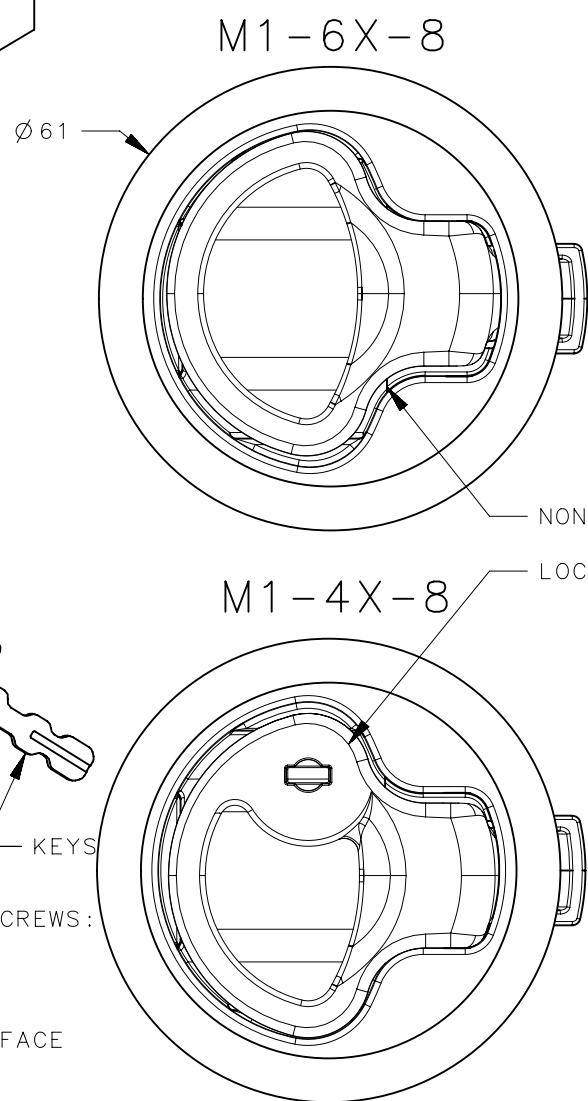


| REVISION HISTORY | | | |
|------------------|-----------|---------|-----------------|
| REV | DATE | BY | DESCRIPTION |
| H | 15NOV2022 | SAK/DMS | PRN: P2022-2015 |



| PART NUMBER | PANEL THICKNESS | MOUNTING BRACKET HEIGHT | MOUNTING BRACKET SCREW LENGTH |
|-------------|-----------------|-------------------------|-------------------------------|
| M1-41-8 | 2 TO 7 | 15.1 | 16 |
| M1-64-8 | 7 TO 12 | 15.1 | 20 |
| M1-42-8 | 12 TO 17 | 5.1 | 16 |
| M1-63-8 | 17 TO 22 | 5.1 | 20 |



| NO. | PART NUMBER | TYPE OF COMPONENT | MATERIAL | FINISH | REMARK |
|-----|-------------|---------------------|----------------------------|------------|------------|
| 4 | | MOUNTING SCREWS (2) | 300 SERIES STAINLESS STEEL | PASSIVATED | |
| 3 | | KEEPER | 300 SERIES STAINLESS STEEL | PASSIVATED | |
| 2 | | MOUNTING BRACKET | SEE NOTE A | SEE NOTE A | |
| 1 | | LATCH SUBASSEMBLY | SEE NOTE A | SEE NOTE A | |
| - | M1-6X-8 | LATCH ASSEMBLY | - | - | NONLOCKING |
| - | M1-4X-8 | LATCH ASSEMBLY | - | - | LOCKABLE |

NOTES:

A. MATERIAL AND FINISH NOTES:

- HOUSING, HANDLE, PAWL, LOCKPLUG AND MOUNTING BRACKET: CF-8M STAINLESS STEEL (NOMINAL CAST EQUIVALENT OF 316 STAINLESS STEEL), ELECTROPOLISHED
- PIN: 302 STAINLESS STEEL, PASSIVATED
- KEYS, SPRINGS, KEEPER, LOCK-PLUG RETAINING RING AND SCREWS: 301 STAINLESS STEEL, PASSIVATED
- LOCKPLUG O RING: BUNA-N, NATURAL

B. APPLICATION NOTES:

- IF ADJUSTABLE KEEPER IS NOT USED, EDGE OF KEEPER SURFACE WHICH PAWL SLIDES AGAINST MUST HAVE 0.5 RADIUS MIN.
- MAX. TIGHTENING TORQUE ON MOUNTING SCREWS IS 2.8 Nm.

| | | |
|--|---|---|
| THIRD ANGLE PROJECTION | | |
| MILLIMETERS [IN] | | |
| SURFACE AREA | TOLERANCES UNLESS OTHERWISE NOTED | DESCRIPTION |
| VOLUME | ALL DIMENSIONS WITHOUT TOLERANCES ARE FOR REFERENCE ONLY. | SOUTHCO FLUSH-PULL™ LATCH METRIC-ASSEMBLY |
| PROPRIETARY ITEM | SIZE A3 | SYSTEM NX |
| EXCEPT FOR USES EXPRESSLY GRANTED IN WRITING, INFORMATION DISCLOSED HEREON IS CONFIDENTIAL AND ALL RIGHTS, PATENT AND OTHERWISE, ARE RESERVED BY SOUTHCO, INC. | PER ASME Y14.5M-1994 | DWG NO. J-M1-61-8 |
| | DRAWN BY JWJ | DATE 01JAN2003 |
| | | SCALE 1:1 |
| | | SHEET 1 OF 2 |