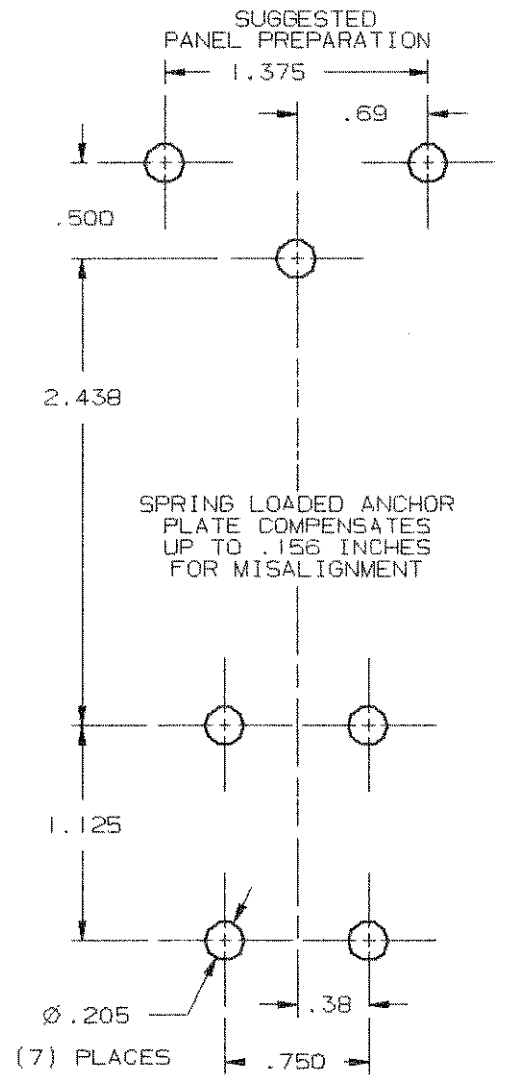
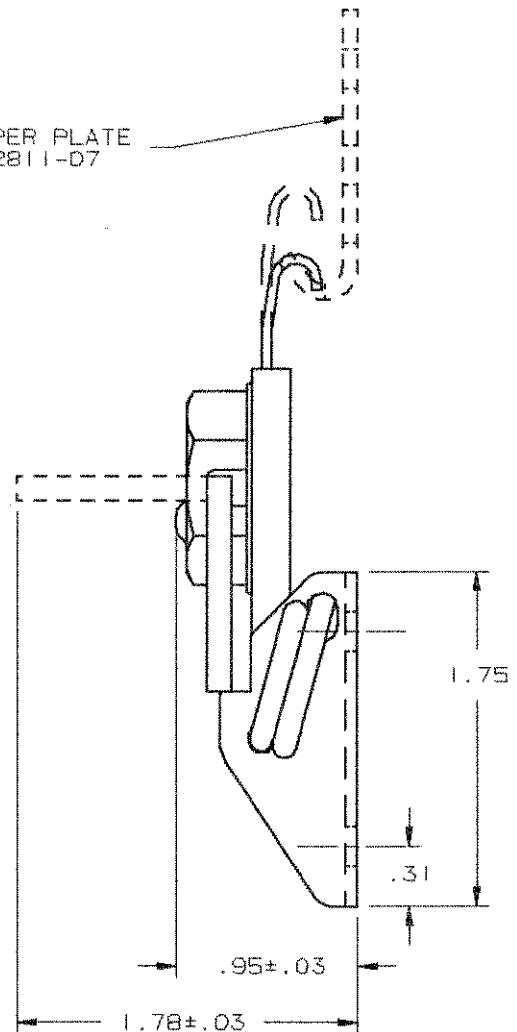
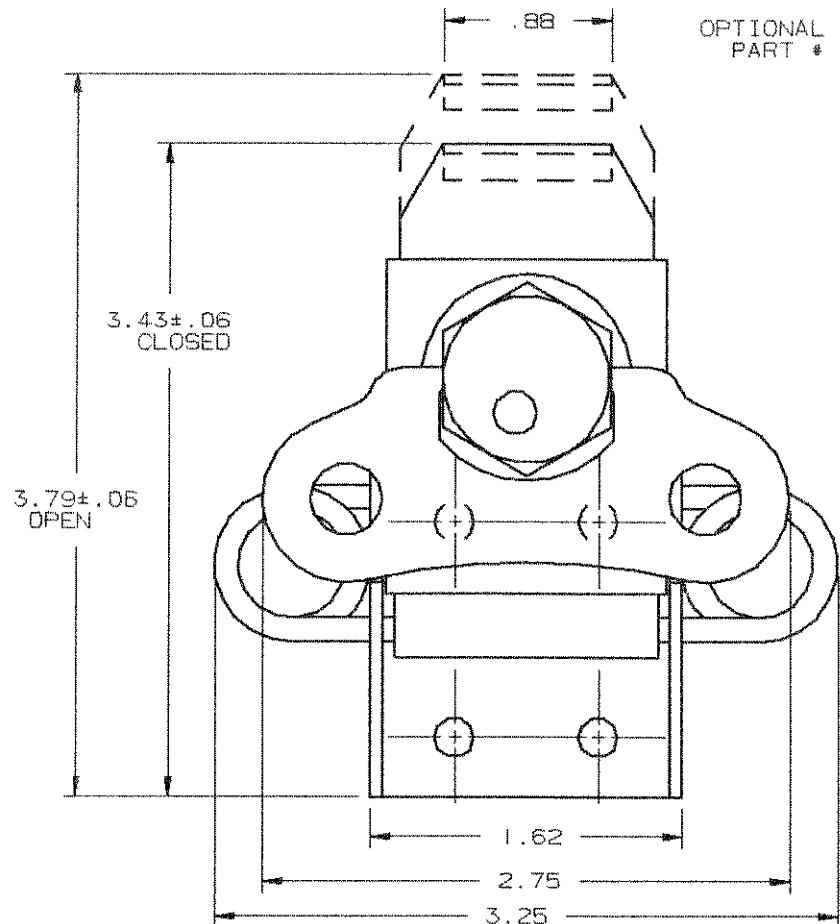


**#2 LINK LOCK
SPRING LOADED**

DATE	DRAWN	CHK'D	SCALE	DRAWING NUMBER
17 DEC 92	BWP		1:1	J-K5-2858-07

REV.	DATE	BY/CHK'D	REVISIONS



MATERIAL & FINISH:
ANCHOR PLATE, WING, AND LOWER CAM ARE CARBON STEEL; ZINC PLATE, BRIGHT CHROMATE DIP
HOUSING, AND SLIDE ARE HARDENED ALLOY STEEL; ZINC PLATE, BRIGHT CHROMATE DIP
UPPER CAM IS POWDER METAL; ZINC PLATE, BRIGHT CHROMATE DIP
SPRINGS AND CAM RIVET ARE STAINLESS STEEL.