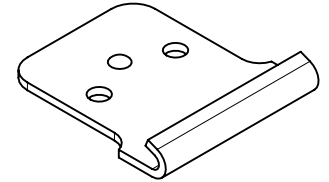
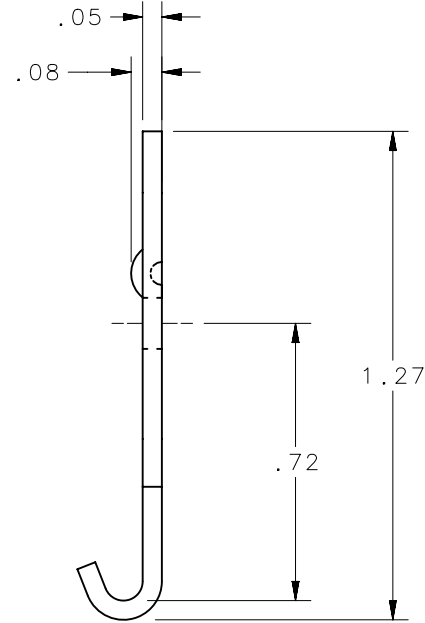
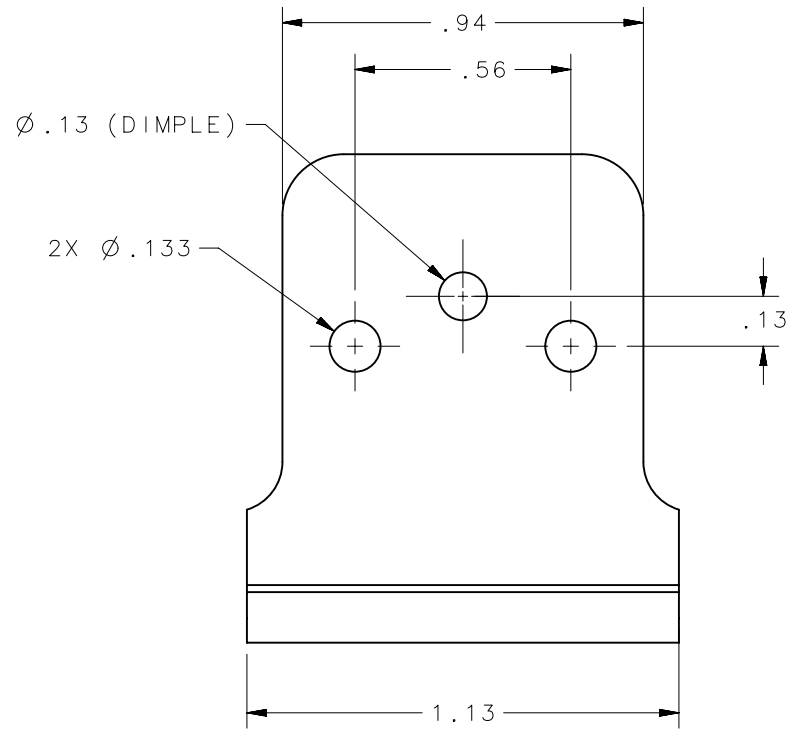


| REVISION HISTORY | | | |
|------------------|-----------|---------|-----------------|
| REV | DATE | BY | DESCRIPTION |
| H | 24NOV2021 | SSG/CBI | PRN: P2021-2262 |



SCALE 1:1

| | | | |
|---------------------|-------------------|----------------------------|--|
| K3-2696-68 | KEEPER | CARBON STEEL | ZINC-NICKEL ALLOY WITH BLACK TRIVALENT CHROMATE PLUS TWO TOP COAT SEALER |
| K3-2696-67 | KEEPER | CARBON STEEL | ZINC NICKEL ALLOY, PLUS BLACK CHROMATE |
| K3-2696-82 | KEEPER | CARBON STEEL | RACK BLACK ZINC |
| K3-2696-80 | KEEPER | CARBON STEEL | ZINC COBALT PLATE, PLUS BLACK CHROMATE |
| K3-2696-69 | KEEPER | CARBON STEEL | BLACK E-COAT |
| K3-2696-63 | KEEPER | 300 SERIES STAINLESS STEEL | BLACK OXIDE |
| K3-2696-52 | KEEPER | 300 SERIES STAINLESS STEEL | NATURAL |
| K3-2696-12 | KEEPER | CARBON STEEL | ZINC PLATE, OLIVE CHROMATE DIP |
| K3-2696-08 | KEEPER | CARBON STEEL | ZINC PLATE, YELLOW CHROMATE DIP |
| K3-2696-07 | KEEPER | CARBON STEEL | ZINC PLATE, BRIGHT CHROMATE DIP |
| SOUTHCO PART NUMBER | TYPE OF COMPONENT | MATERIAL | FINISH |

| | | | | | |
|---|--|---------------------------------|-------------------|----------------------|-----------------|
| THIRD ANGLE PROJECTION | | CONNECT • CREATE • INNOVATE | | | |
| INCHES [MM] | | | | | |
| SURFACE AREA 3.15 in ² | | DESCRIPTION K3 KEEPER PLATE | | | |
| VOLUME 0.07 in ³ | | | | | |
| PROPRIETARY ITEM <small>EXCEPT FOR USES EXPRESSLY GRANTED IN WRITING, INFORMATION DISCLOSED HEREON IS CONFIDENTIAL AND ALL RIGHTS, PATENT AND OTHERWISE, ARE RESERVED BY SOUTHCO, INC.</small> | | SIZE A | SYSTEM NX | DWG NO. J-K3-2696 | |
| PER ASME Y14.5M-1994 | | DRAWN BY BWP | DATE 14JUL1992 | SCALE 2:1 | SHEET 1 OF 1 |