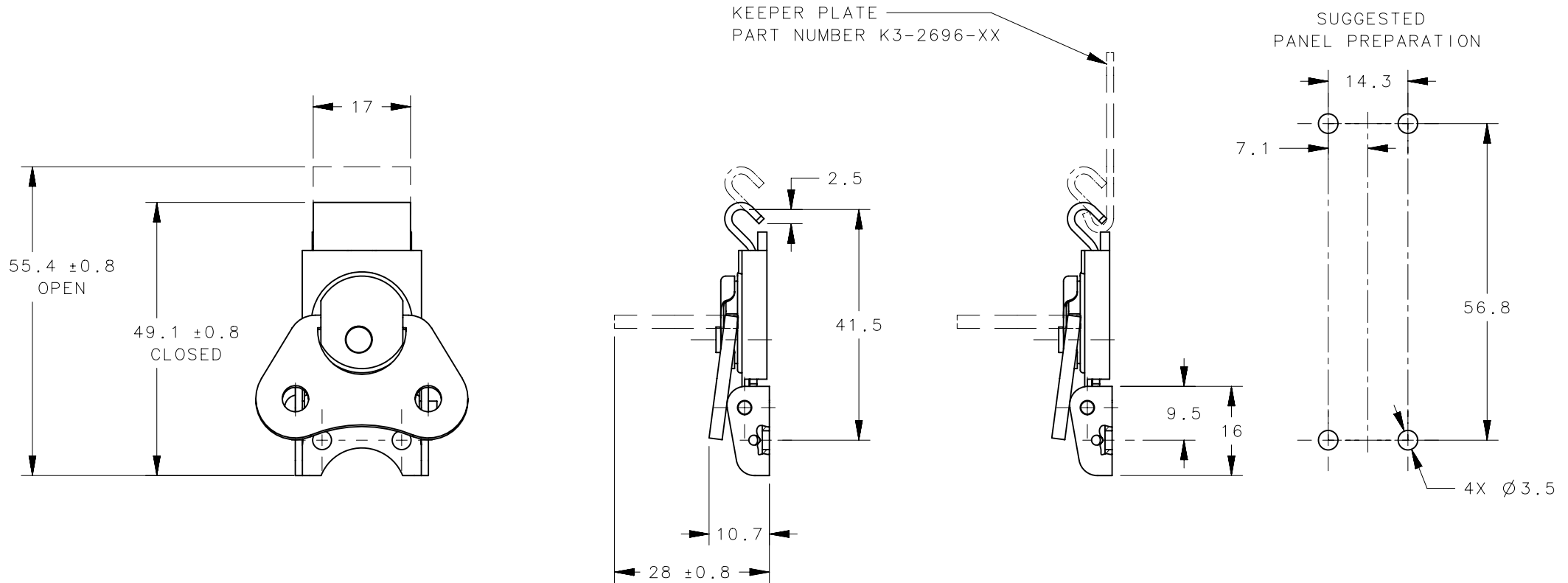


REVISION HISTORY			
REV	DATE	BY	DESCRIPTION
G	23APR2021	KSH/VK	PRN: P2021-0807



NOTES:

1. MATERIAL:
- ANCHOR PLATE, HOUSING, WING AND CAMS: CARBON STEEL.
 - SLIDE: HARDENED ALLOY STEEL.
 - CAP, CAM RIVET AND ANCHOR PLATE RIVET: 300 SERIES STAINLESS STEEL.

K3-2694-69	ASSEMBLY	SEE NOTE 1	E-COAT, BLACK
K3-2694-52	ASSEMBLY	STAINLESS STEEL	NATURAL
K3-2694-12	ASSEMBLY	SEE NOTE 1	ZINC PLATE, OLIVE
K3-2694-07	ASSEMBLY	SEE NOTE 1	ZINC PLATE, BRIGHT CHROMATE
PART NUMBER	TYPE OF COMPONENT	MATERIAL	FINISH

CPB NUMBER	STANDARD	THIRD ANGLE PROJECTION				
		MILLIMETERS [IN]				
		TOLERANCES UNLESS OTHERWISE NOTED				
		ALL DIMENSIONS WITHOUT TOLERANCES ARE FOR REFERENCE ONLY.				
PROPRIETARY ITEM	EXCEPT FOR USES EXPRESSLY GRANTED IN WRITING, INFORMATION DISCLOSED HEREON IS CONFIDENTIAL AND ALL RIGHTS, PATENT AND OTHERWISE, ARE RESERVED BY SOUTHCO, INC.		DESCRIPTION	SIZE	SYSTEM	DWG NO.
	PER ASME Y14.5M-1994		No. 3 LINK LOCK LOW PROFILE	A4	NX	J-K3-2694
			DRAWN BY	DATE	SCALE	SHEET
			KWC	13MAY1994	1:1	1 OF 1