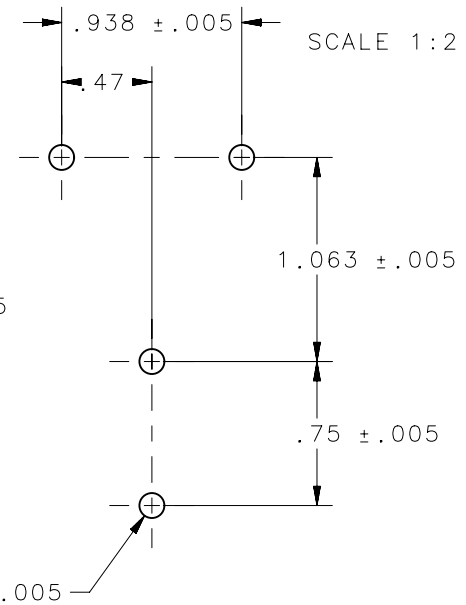
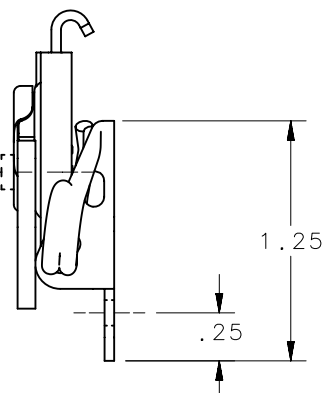
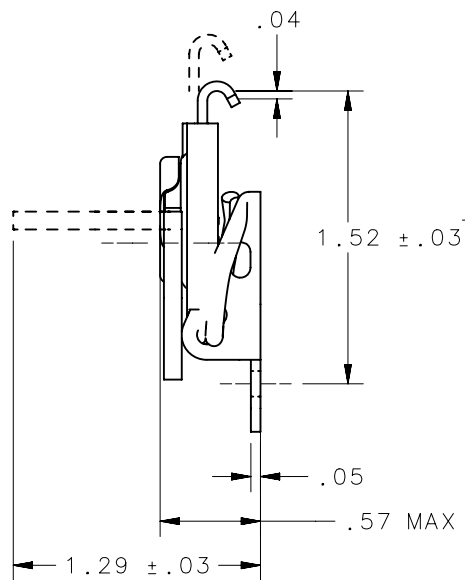
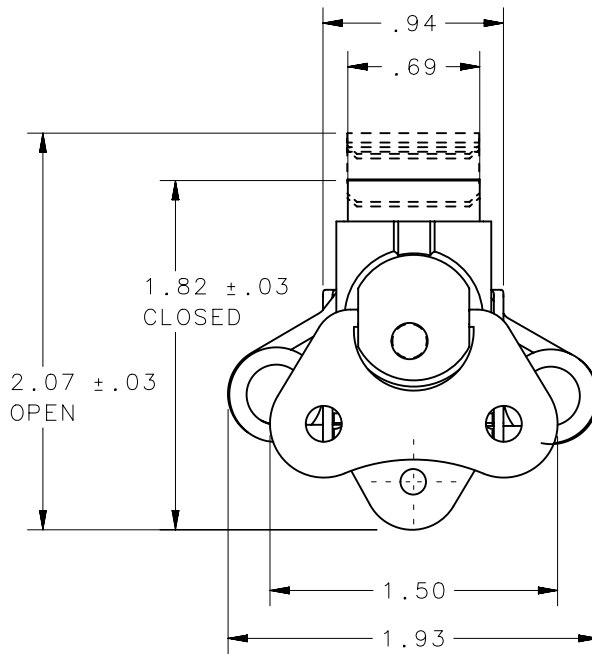
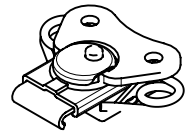


REVISION HISTORY			
REV	DATE	BY	DESCRIPTION
E	19JUN2019	YBS/VK	PRN: P2019-1559



NOTES:

- 1 - MATERIAL:
(-06, -07, -08, -09, -12, -82 & -89): ANCHOR PLATE, HOUSING, WING, UPPER CAM, AND LOWER CAM ARE CARBON STEEL. SLIDE IS HARDENED ALLOY STEEL. CAP, CAM RIVET, AND SPRINGS ARE STAINLESS STEEL.
- 2 - FINISH (-06 & -09): ZINC PLATE, BLACK CHROMATE DIP
- 3 - FINISH: ZINC PLATE, BIRGHT CHROMATE DIP.
- 4 - FINISH: ZINC PLATE, YELLOW CHROMATE DIP.
- 5- FINISH:BLACK OXIDE PLUS WAX.
- 6 - FINISH: NICKEL PLATE PLUS ZINC, BLACK CHROMATE
- 7 - BLACK E-COAT PLUS POWDER COAT.
- 8 - FINISH: ZINC PLATE, OLIVE DRAB CHROMATE.

K3-1735-12	SEE NOTE 1	SEE NOTE 8	K3-1735-89	SEE NOTE 1	SEE NOTE 7
K3-1735-09	SEE NOTE 1	SEE NOTE 2	K3-1735-82	SEE NOTE 1	SEE NOTE 6
K3-1735-08	SEE NOTE 1	SEE NOTE 4	K3-1735-63	STAINLESS STEEL	SEE NOTE 5
K3-1735-07	SEE NOTE 1	SEE NOTE 3	K3-1735-55	STAINELSS STEEL	BLACK OXIDE
K3-1735-06	SEE NOTE 1	SEE NOTE 2	K3-1735-52	STAINLESS STEEL	NATURAL
ASSEMBLY	MATERIAL	FINISH	ASSEMBLY	MATERIAL	FINISH

THIRD ANGLE PROJECTION		 CONNECT • CREATE • INNOVATE			
INCHES [MM]					
TOLERANCES UNLESS OTHERWISE NOTED		DESCRIPTION #3 SPRING LOADED LINK LOCK			
ALL DIMENSIONS WITHOUT TOLERANCES ARE FOR REFERENCE ONLY.		SIZE A	SYSTEM NX	DWG NO. J-K3-1735	
PER ASME Y14.5M-1994		DRAWN BY CHW	DATE 29NOV1995	SCALE 1:1	SHEET 1 OF 1

PROPRIETARY ITEM
EXCEPT FOR USES EXPRESSLY GRANTED IN WRITING, INFORMATION DISCLOSED HEREON IS CONFIDENTIAL AND ALL RIGHTS, PATENT AND OTHERWISE, ARE RESERVED BY SOUTHCO, INC.