

REV	DATE	DRAWN/CHKD	DESCRIPTION

NOTES:

A. MATERIAL AND FINISH:

LATCH:

HANDLE - THERMOPLASTIC ELASTOMER, BLACK
BRACKET - GLASS REINFORCED NYLON, BLACK.

KEEPER - GLASS REINFORCED NYLON, BLACK
THREAD FORMING SCREWS (3) - 18-8 STAINLESS, PASSIVATED.

B. CONCEALED INSTALLATION:

MOUNT USING (3) THREAD FORMING NUMBER 2 PHILLIPS RECESS SCREWS (SOUTHCO SUPPLIED)
MAX. INSTALLATION TORQUE 2 N·m [18 in·lbs]

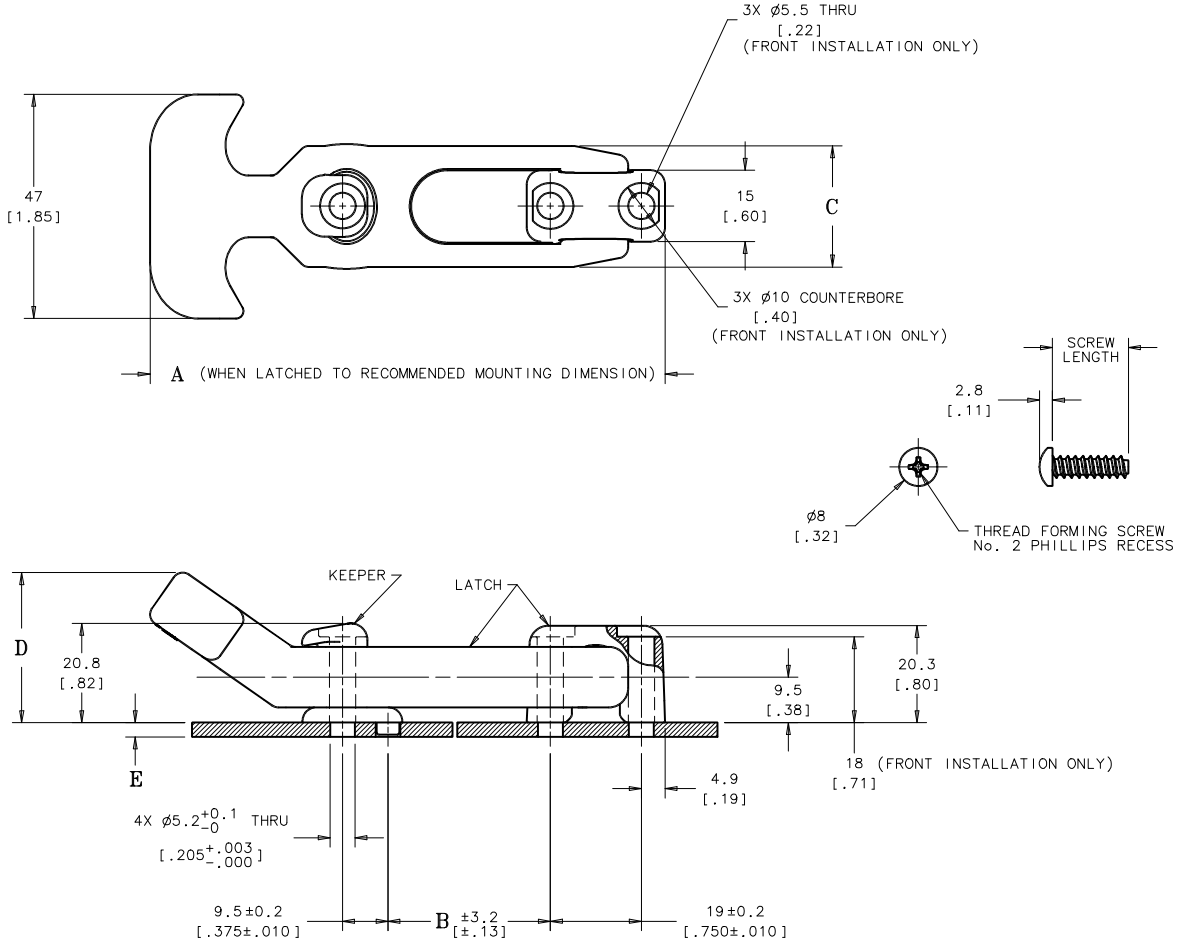
C. FRONT INSTALLATION:

USE THREE 10-24 OR M5 SCREWS OR USE Ø3/16 RIVETS (NOT SUPPLIED)

MILLIMETER [INCH]

ALL DIMENSIONS WITHOUT TOLERANCES ARE FOR REFERENCE ONLY.

THIRD ANGLE PROJECTION A3 PAPER SIZE



PART NUMBERS			INSTALLATION METHOD	DIMENSIONS					
LATCH	KEEPER	SCREWS (BAG OF 3)		E	SCREW LENGTH	A	B	C	D
F7-530	F7-537	---	FRONT	---	---	---	---	---	---
F7-540	F7-547	F7-548-3	CONCEALED (THREAD FORMING)	UP TO 8 [.32]	15.9 [.63]	112 [4.81]	41 [1.6]	25.4 [1.00]	31.5 [1.24]
		F7-558-3	CONCEALED (THREAD FORMING)	8.1 [3.2] TO 17.5 [.69]	25.4 [1.0]				
F7-630	F7-537	---	FRONT	---	---	---	---	---	---
F7-640	F7-547	F7-548-3	CONCEALED (THREAD FORMING)	UP TO 8 [.32]	15.9 [.63]	167 [6.6]	72 [2.83]	31.8 [1.25]	28 [1.10]
		F7-558-3	CONCEALED (THREAD FORMING)	8.1 [3.2] TO 17.5 [.69]	25.4 [1.0]				
F7-730	F7-537	---	FRONT	---	---	---	---	---	---
F7-740	F7-547	F7-548-3	CONCEALED (THREAD FORMING)	UP TO 8 [.32]	15.9 [.63]	221 [8.7]	117 [4.6]	31.8 [1.25]	28 [1.10]
		F7-558-3	CONCEALED (THREAD FORMING)	8.1 [3.2] TO 17.5 [.69]	25.4 [1.0]				