

4X Ø5.3 THRU
Ø9.3 X 90° COUNTERSINK

4X Ø5.4 ± 0.1
PANEL PREPARATION

REVISION HISTORY			
REV	DATE	BY	DESCRIPTION
G	01APR2021	GJL/DMS	PRN: P2021-0622

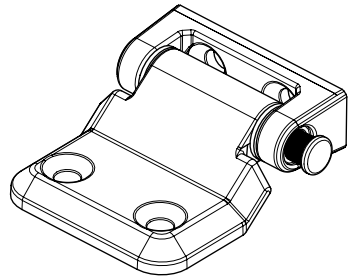
4	-	2	BUSHING	DELRIN	BLACK
3	-	1	PIN	STAINLESS STEEL	NATURAL
2	-	1	BRACKET	DIE CAST ZINC	BLACK POWDER COATED
1	-	1	LEAF	DIE CAST ZINC	BLACK POWDER COATED
-	EH-6C-5V4-50	-	HINGE ASSEMBLY	-	-
4	-	2	BUSHING	DELRIN	NATURAL-BLACK
3	-	1	PIN	STAINLESS STEEL	NATURAL
2	-	1	BRACKET	DIE CAST ZINC	CHROME PLATED
1	-	1	LEAF	DIE CAST ZINC	CHROME PLATED
-	EH-6C-5V4-38	-	HINGE ASSEMBLY	-	-
NO.	PART NUMBER	QTY	TYPE OF COMPONENT	MATERIAL	FINISH

NOTES:

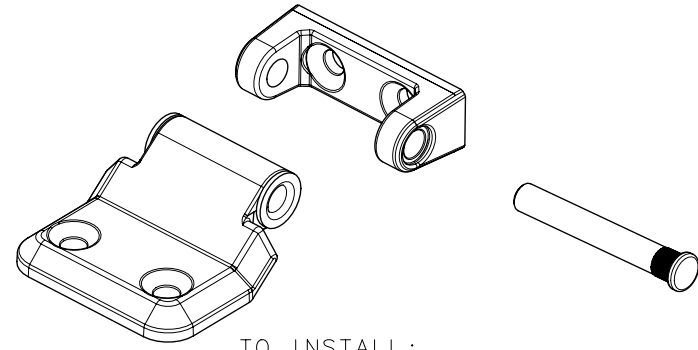
- COSMETIC SPECIFICATION:
ALL SURFACES ARE TO CONFORM TO A CLASS "B" DESIGNATION UNLESS OTHERWISE INDICATED AS DESCRIBED IN SOUTHCO COSMETIC SPECIFICATIONS:
S-121-01 FOR CHROME PLATING
S-121-03 FOR POWDER COATING
- PACKAGING: TRAY PACKAGED, SHIPPED (25) PER BOX.
- FOR LARGER OFFSET DIMENSION, USE EH-6C-B-XX SPACER (SOLD SEPARATELY).

THIRD ANGLE PROJECTION				 CONNECT • CREATE • INNOVATE	
MILLIMETERS [IN]					
TOLERANCES UNLESS OTHERWISE NOTED		DESCRIPTION			
ALL DIMENSIONS WITHOUT TOLERANCES ARE FOR REFERENCE ONLY.		EH OFFSET HINGE			
PROPRIETARY ITEM	EXCEPT FOR USES EXPRESSLY GRANTED IN WRITING, INFORMATION DISCLOSED HEREON IS CONFIDENTIAL AND ALL RIGHTS, PATENT AND OTHERWISE, ARE RESERVED BY SOUTHCO, INC.	SIZE	SYSTEM	DWG NO.	
		A4	NX	J-EH-6C-5V4	
PER ASME Y14.5M-1994		DRAWN BY	DATE	SCALE	SHEET
		AJH	12JUL2005	1:1	1 OF 2

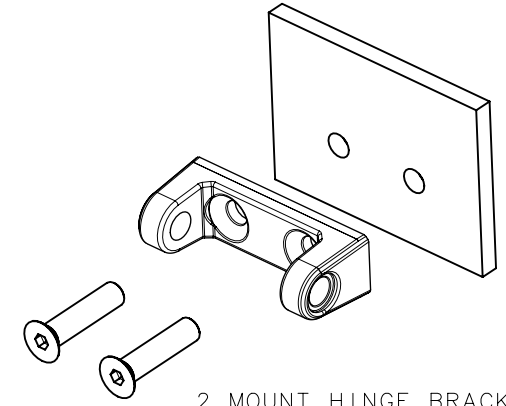
REVISION HISTORY			
REV	DATE	BY	DESCRIPTION
F	01APR2021	GJL/DMS	PRN: P2021-0622



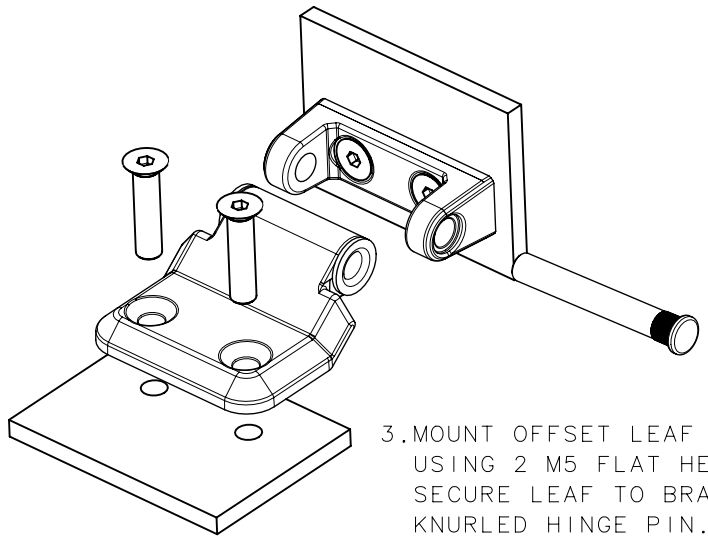
HINGE ASSEMBLY AS PACKAGED



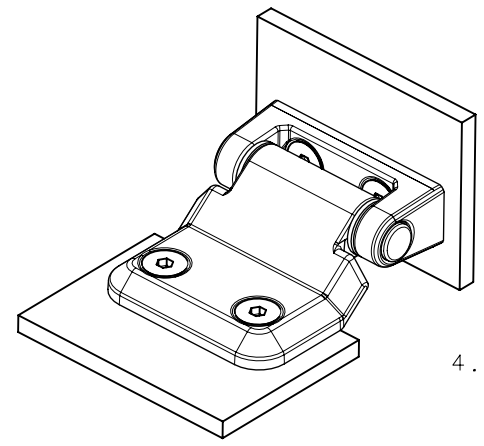
TO INSTALL:
 1. REMOVE HINGE PIN FROM HINGE ASSEMBLY AND SEPARATE OFFSET LEAF AND BRACKET.



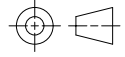

2. MOUNT HINGE BRACKET TO FRAME USING 2 M5 FLAT HEAD SCREWS (NOT SUPPLIED).



3. MOUNT OFFSET LEAF TO DOOR USING 2 M5 FLAT HEAD SCREWS. SECURE LEAF TO BRACKET WITH KNURLED HINGE PIN.



4. HEAD OF HINGE PIN MUST BE FLUSH WITH SIDE OF HINGE BRACKET.

THIRD ANGLE PROJECTION 		 CONNECT • CREATE • INNOVATE			
MILLIMETERS [IN]					
TOLERANCES UNLESS OTHERWISE NOTED		DESCRIPTION EH OFFSET HINGE			
ALL DIMENSIONS WITHOUT TOLERANCES ARE FOR REFERENCE ONLY.		SIZE A4	SYSTEM NX	DWG NO. J-EH-6C-5V4	
PROPRIETARY ITEM <small>EXCEPT FOR USES EXPRESSLY GRANTED IN WRITING, INFORMATION DISCLOSED HEREON IS CONFIDENTIAL AND ALL RIGHTS, PATENT AND OTHERWISE, ARE RESERVED BY SOUTHCO, INC.</small>		DRAWN BY AJH	DATE 12JUL2005	SCALE 1:1.5	SHEET 2 OF 2
PER ASME Y14.5M-1994					