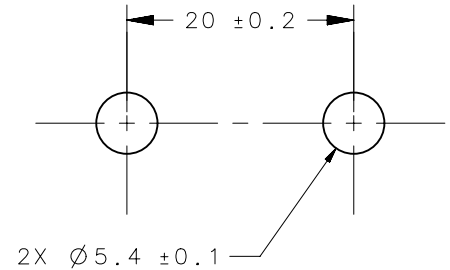
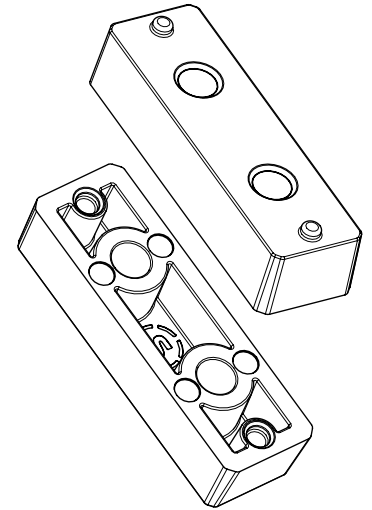
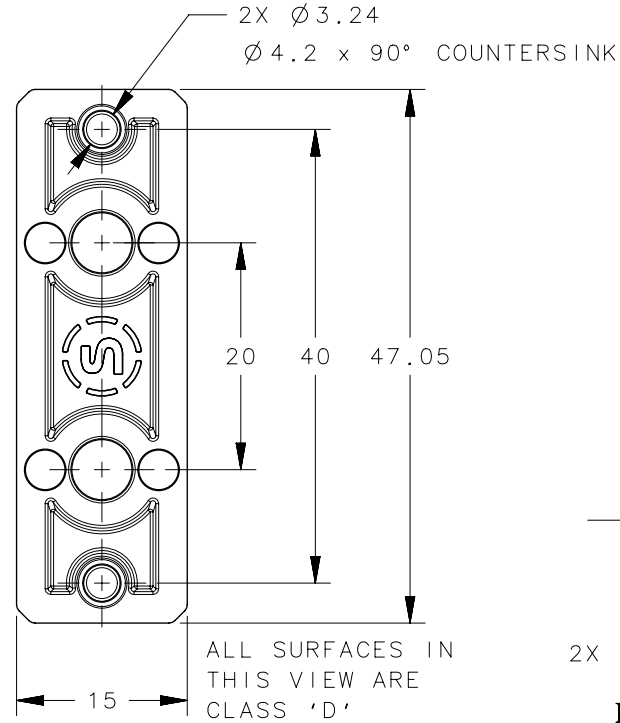
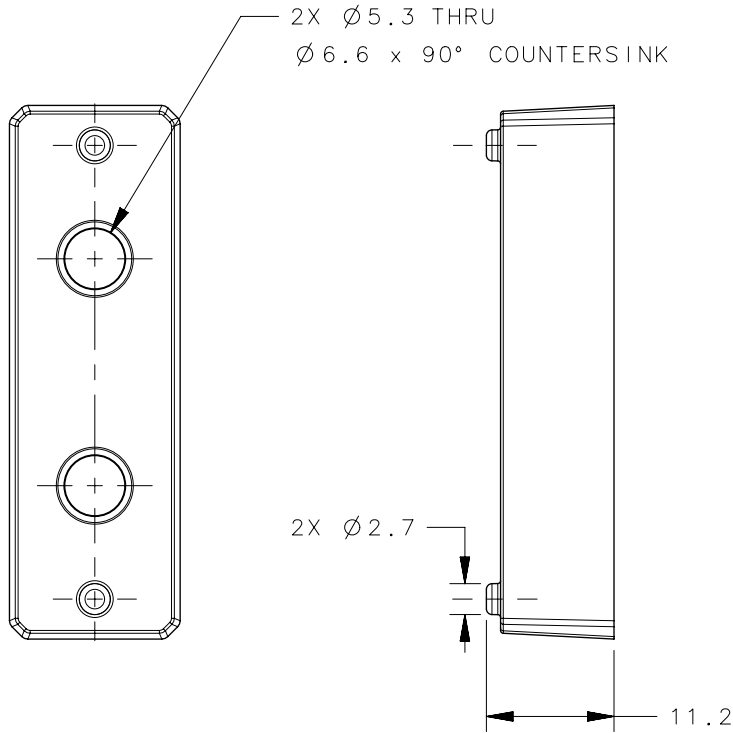


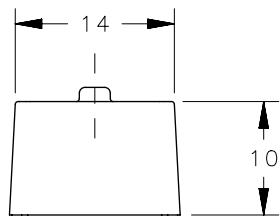
NOTES:

1. RoHS COMPLIANT.
2. COSMETIC SPECIFICATION:
 ALL SURFACES, UNLESS OTHERWISE NOTED, ARE TO CONFORM TO A CLASS "B"
 DESIGNATION AS DESCRIBED IN SOUTHCO COSMETIC SPECIFICATION:
 S-121-01 FOR CHROME PLATING OR
 S-121-03 FOR POWDER COATING

REVISION HISTORY			
REV	DATE	BY	DESCRIPTION
E	18MAY2016	MJS/IR	PRN: P2016-0971



PANEL PREPARATION



EH-6C-B-50	SPACER	ZAMAC 3	BLACK POWDER COATED
EH-6C-B-38	SPACER	ZAMAC 3	BRIGHT CHROME PLATED
PART NUMBER	TYPE OF COMPONENT	MATERIAL	FINISH

THIRD ANGLE PROJECTION				southco [®] CONNECT • CREATE • INNOVATE			
MILLIMETERS [IN]							
TOLERANCES UNLESS OTHERWISE NOTED		DESCRIPTION					
SURFACE AREA		EH OFFSET SPACER					
VOLUME		SIZE		SYSTEM		DWG NO.	
PROPRIETARY ITEM <small>EXCEPT FOR USES EXPRESSLY GRANTED IN WRITING, INFORMATION DISCLOSED HEREON IS CONFIDENTIAL AND ALL RIGHTS, PATENT AND OTHERWISE, ARE RESERVED BY SOUTHCO, INC.</small>		A4		NX		J-EH-6C-B	
PER ASME Y14.5M-1994		DRAWN BY		DATE		SCALE	
		IR/		18 JUN 15		DNS	
						SHEET 1 OF 1	