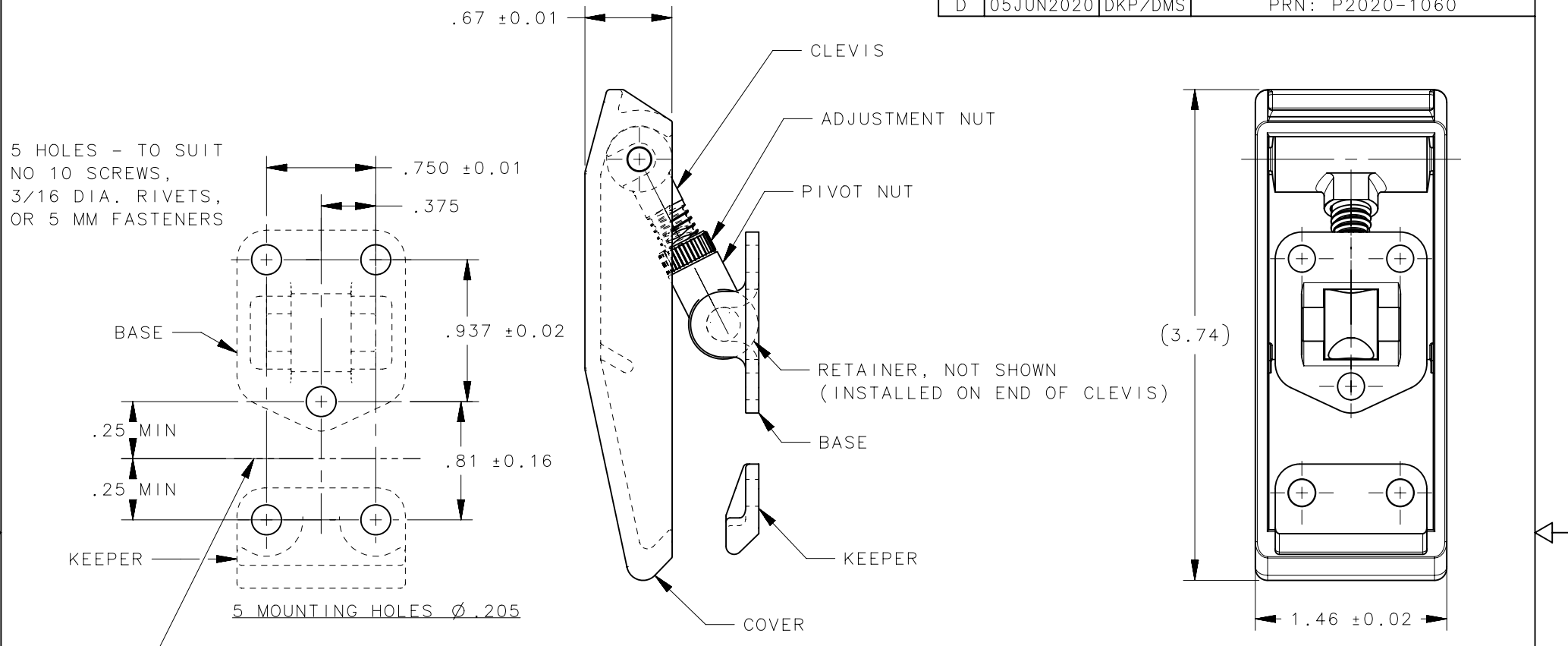


REVISION HISTORY			
REV	DATE	BY	DESCRIPTION
D	05JUN2020	DKP/DMS	PRN: P2020-1060



5 HOLES - TO SUIT
NO 10 SCREWS,
3/16 DIA. RIVETS,
OR 5 MM FASTENERS

PANEL PREPARATION

NO.	PART NUMBER	QTY	TYPE OF COMPONENT	MATERIAL	FINISH
7	-	1	KEEPER	GLASS REINFORCED NYLON	BLACK
6	-	1	RETAINER	ACETAL	BLACK
5	-	1	COVER	ACETAL	BLACK
4	-	1	PIVOT NUT	GLASS REINFORCED NYLON	BLACK
3	-	1	CLEVIS	GLASS REINFORCED NYLON	BLACK
2	-	1	BASE	GLASS REINFORCED NYLON	BLACK
1	-	1	ADJUSTMENT NUT	STAINLESS STEEL	NATURAL
-	E8-10-502-20	-	LATCH ASSEMBLY	-	-

THIRD ANGLE PROJECTION		 CONNECT • CREATE • INNOVATE			
INCHES [MM]					
TOLERANCES UNLESS OTHERWISE NOTED		DESCRIPTION NO. E8 ADJUSTABLE DRAW LATCH ASSEMBLY			
ALL DIMENSIONS WITHOUT TOLERANCES ARE FOR REFERENCE ONLY.		SIZE A	SYSTEM NX	DWG NO. J-E8-10-502-20	
<small>PROPRIETARY ITEM EXCEPT FOR USES EXPRESSLY GRANTED IN WRITING, INFORMATION DISCLOSED HEREON IS CONFIDENTIAL AND ALL RIGHTS, PATENT AND OTHERWISE, ARE RESERVED BY SOUTHCO, INC.</small>		DRAWN BY ACZ	DATE 16JAN1986	SCALE 1:1	SHEET 1 OF 1

NOTE:
1. PACKAGE ONE ASSEMBLY PER BAG.

