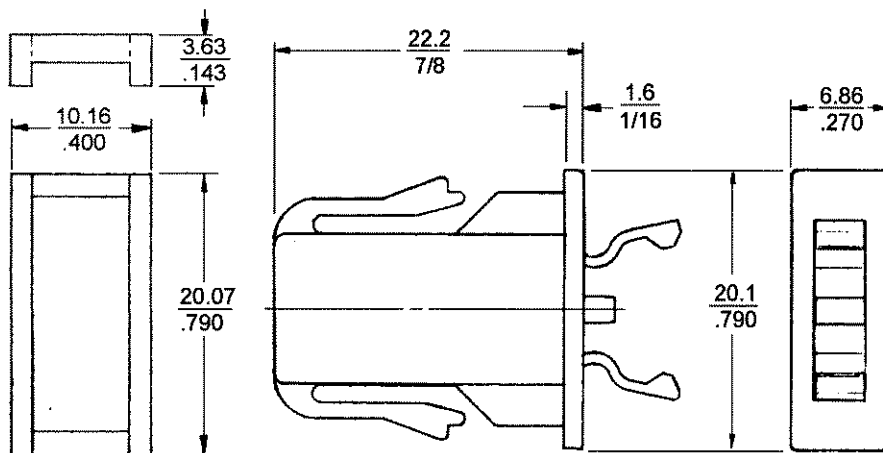


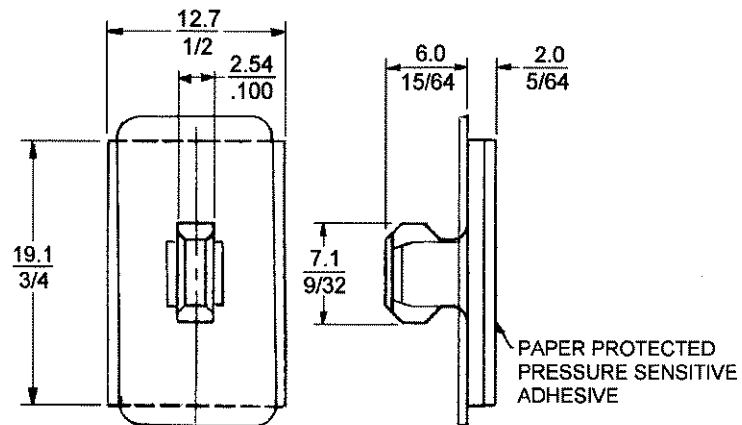
DATE	DRAWN	CHKD	SCALE	DRAWING NUMBER
2-23-84	RHB		2X	J-E4-10-104-10

## PART NO. E4-10-104-10

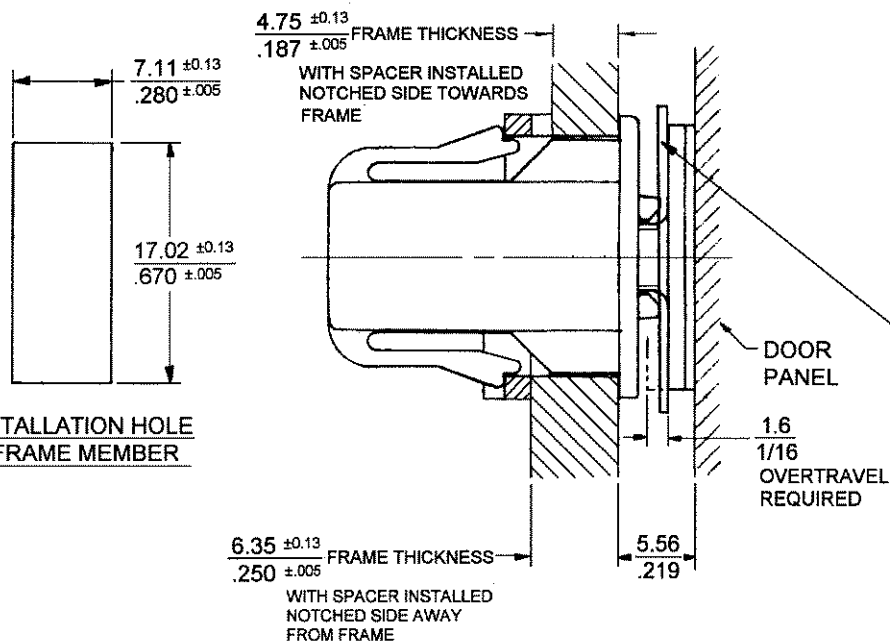


**SPACER**

**CATCH ASSEMBLY**



**KEEPER**



**INSTALLATION HOLE IN FRAME MEMBER**

**MATERIAL AND FINISH**

BLACK ENGINEERING THERMOPLASTIC EXTERNAL COMPONENTS.  
CORROSION RESISTANT METALIC INTERNAL COMPONENTS.

**TO INSTALL**

HOLD SPACER BEHIND FRAME AND SNAP CATCH ASSEMBLY INTO INSTALLATION HOLE. ENGAGE KEEPER WITH CATCH AND REMOVE PROTECTIVE PAPER FROM ADHESIVE SURFACE. CLOSE DOOR FIRMLY IN CONTACT WITH ADHESIVE.

SHIM IS ADDED AS A MEANS TO CENTER THE KEEPER IN THE LATCH. AFTER KEEPER IS INSTALLED ON PANEL, REMOVE SHIM AND DISCARD.

**NOTE** - IF LEGS ARE PUSHED IN BEFORE INSTALLATION PUSH IN AGAIN TO RELEASE.